

CHAMP .050 Series I Connectors, Printed Circuit Board Connectors (Continued)

Vertical Plugs

Materials and Finish

Housing — Glass filled nylon, rated 94V-0, black for standard. LCP, rated 94V-0, black for High Temp.

Contacts — Phosphor bronze selectively plated with minimum of .000030 [0.00076] gold in mating area and tin-lead in solder tail area.

Retention Leg (Board Lock) — Brass, tin-lead plated.

Performance Specifications — Page 19

PC Board Accommodation — .031 [0.79] to .063 [1.60] nominal thickness

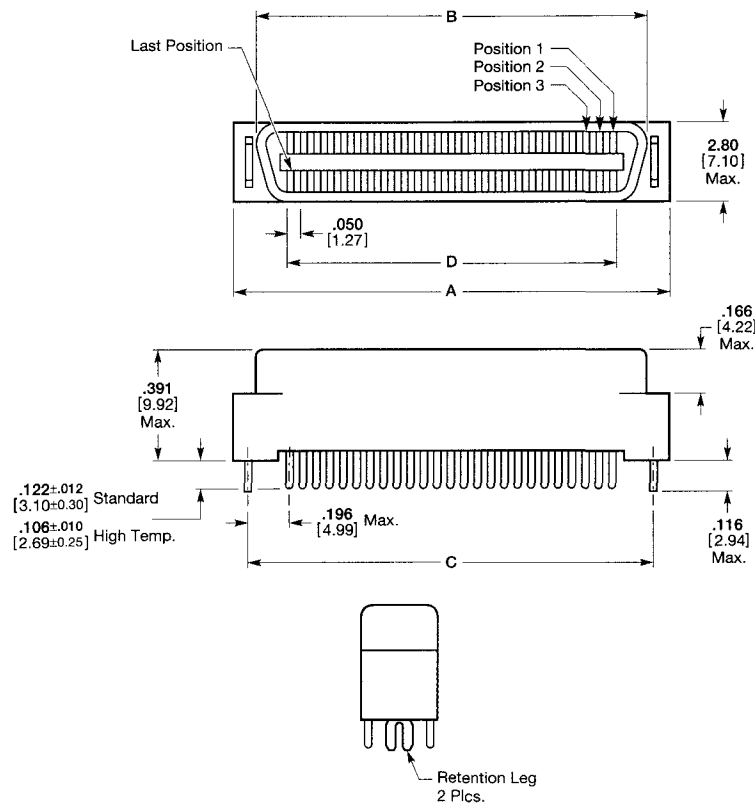
Mating Receptacles —

Right Angle — Page 21

Vertical — Page 24

Ribbon Cable — Page 26

Mating Configurations — Page 28



Pos.	Dimensions					Keying Post ²	Part Number Standard Temp. w/o Post ¹
	A	B	C	D	E ³		
20	.947 24.05	.776 19.73	.843 21.41	.450 11.43	—	5-557102-4	5-175473-1
30	1.197 30.40	1.028 26.12	1.093 27.76	.700 17.78	—	N/A	*0-175473-34
40	1.447 36.75	1.278 32.47	1.343 34.11	.950 24.13	—	5-557102-5	*0-175473-54
50	1.697 43.10	1.528 38.82	1.593 40.46	1.200 30.48	—	5-557102-9 ⁴	5-175473-6
60	1.947 49.45	1.778 45.17	1.843 46.81	1.450 36.83	—	1-557102-3	5-175473-7
68	2.147 54.53	1.978 50.25	2.043 51.89	1.650 41.91	—	1-557102-7	**3-175473-8
80	2.447 62.15	2.278 57.87	2.343 59.51	1.950 49.53	—	***2-557102-1	5-175473-9
100	2.947 74.85	2.778 70.57	2.843 72.21	2.450 62.23	—	2-557102-5	6-175473-0
120	3.447 87.55	3.278 83.27	3.343 84.91	2.950 74.93	1.671 42.44	2-557102-9	**4-175473-1
130	3.697 93.90	3.528 89.62	3.593 91.26	3.200 81.28	1.795 45.59	3-557102-3	6-175473-2
160	4.447 112.95	4.278 108.67	4.343 110.31	3.950 100.33	2.171 55.14	3-557102-7	N/A
180	4.947 125.65	4.843 123.01	4.450 113.03	4.778 121.37	—	5-557102-3	N/A

1 End Board Locks.
 2 End Board Locks and Keying Post. (See PC Board Layout Page 8).
 3 End and Center Board Locks and Keying Post.
 4 Contact Tyco Electronics for RoHS Part Number information.
 *Plating — .000008 [0.00020] Minimum Gold.
 **Plating — .000020 [0.00050] Minimum Gold.
 ***Part Number without board locks is available — Contact Tyco Electronics at the numbers listed below.