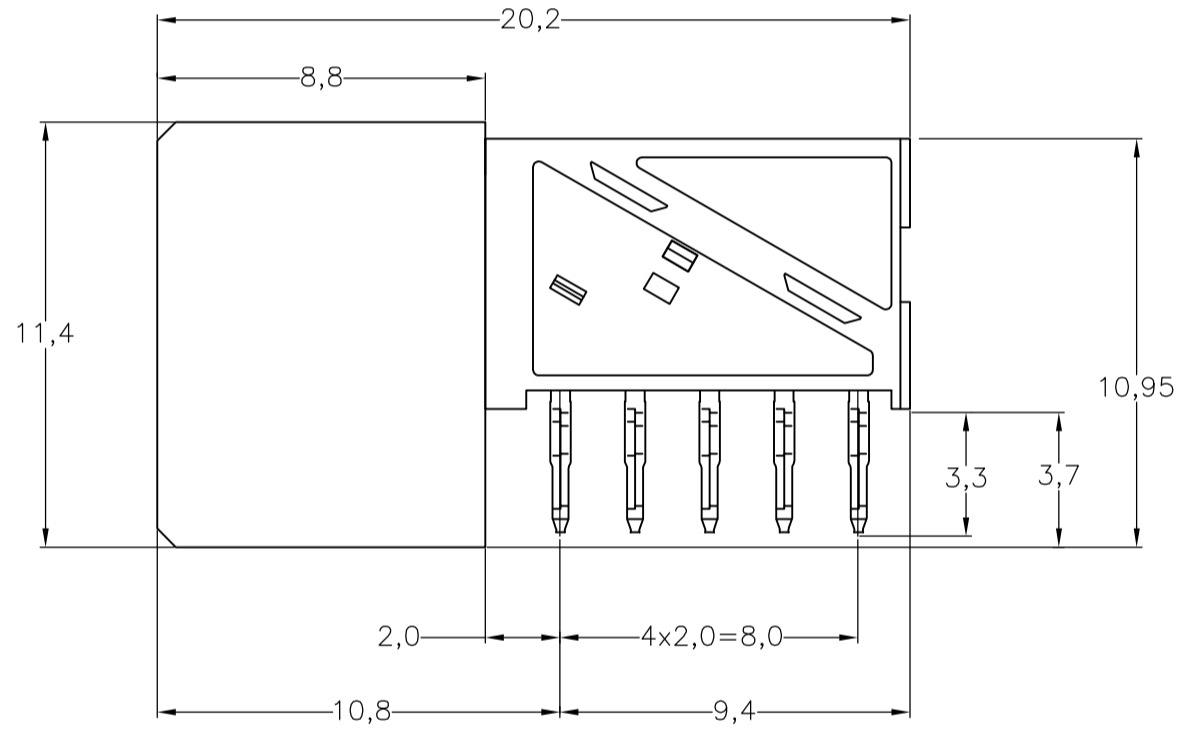
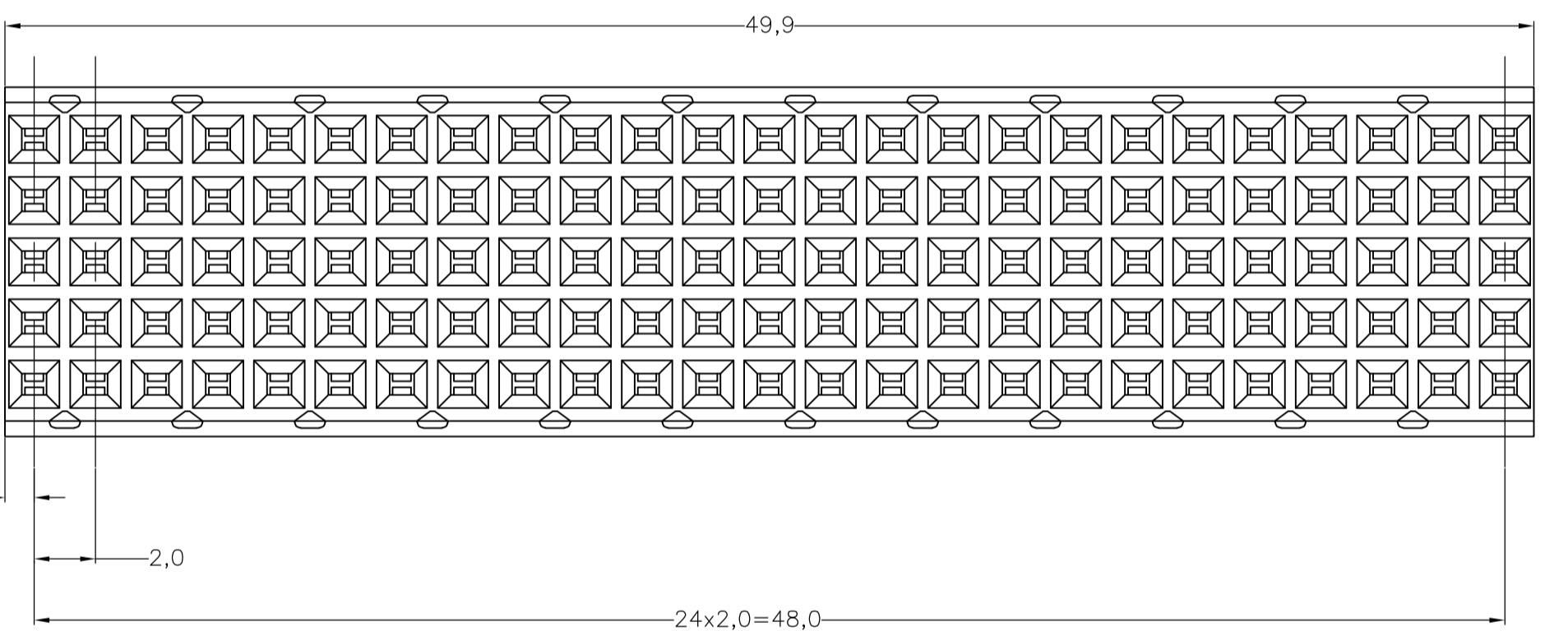
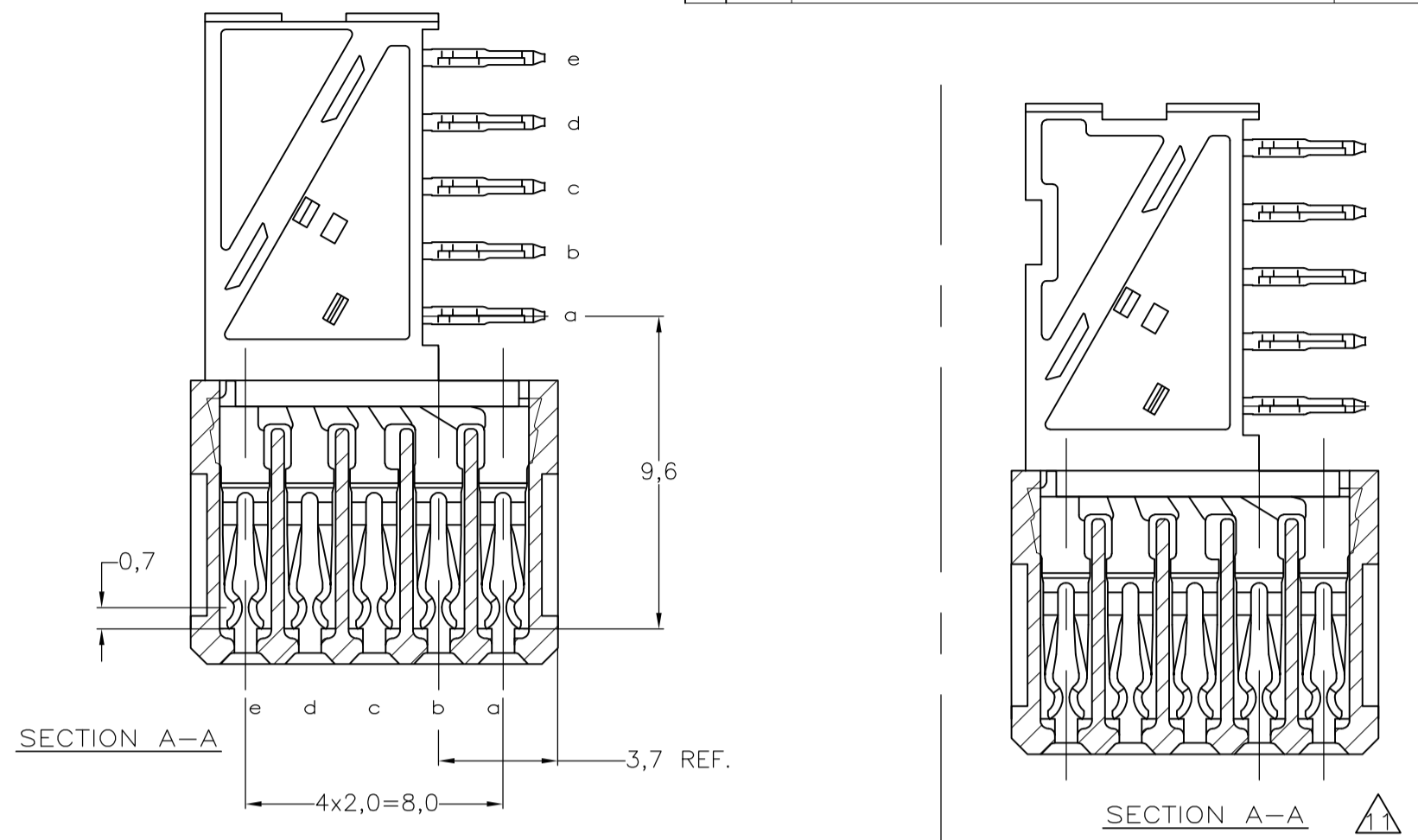
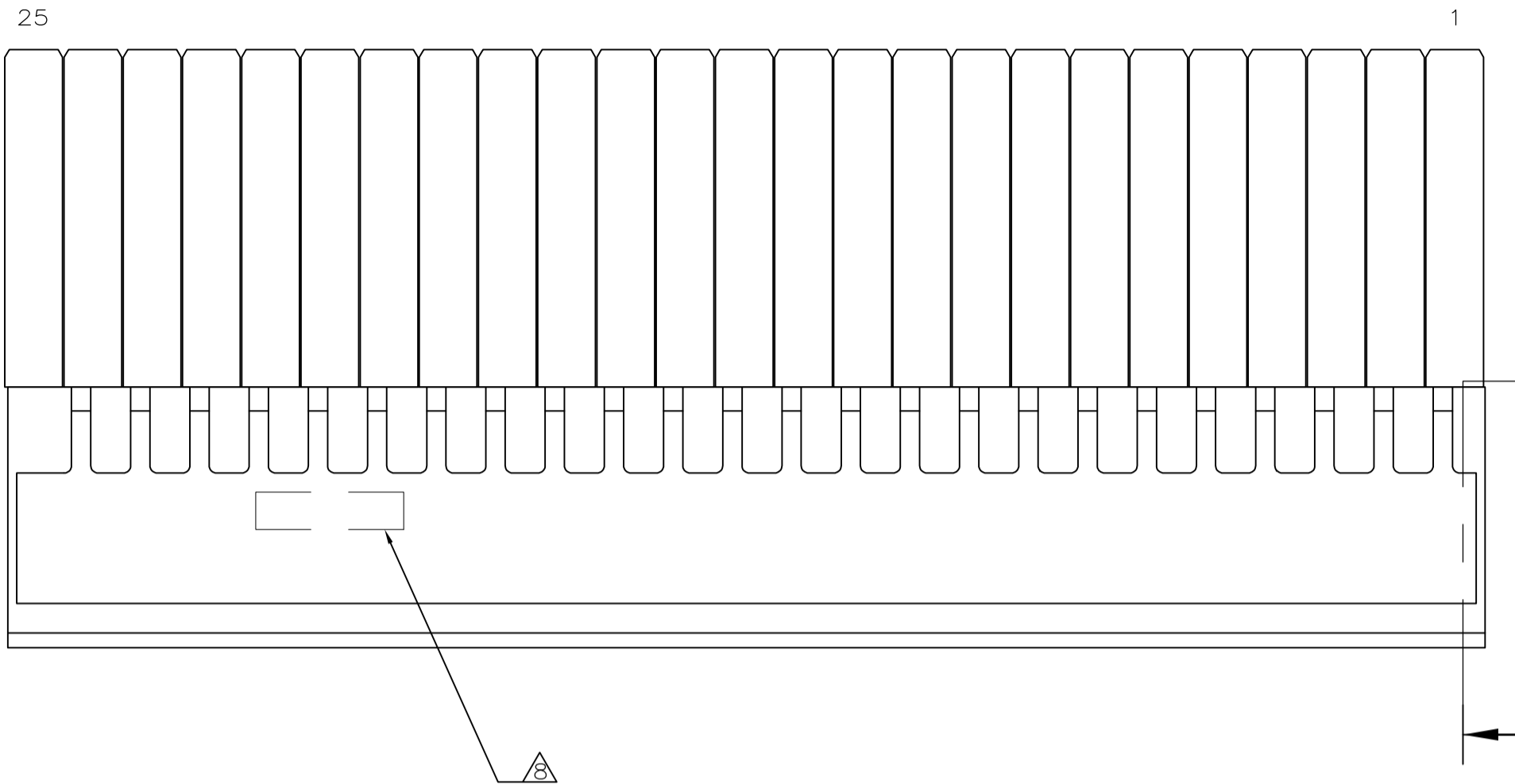
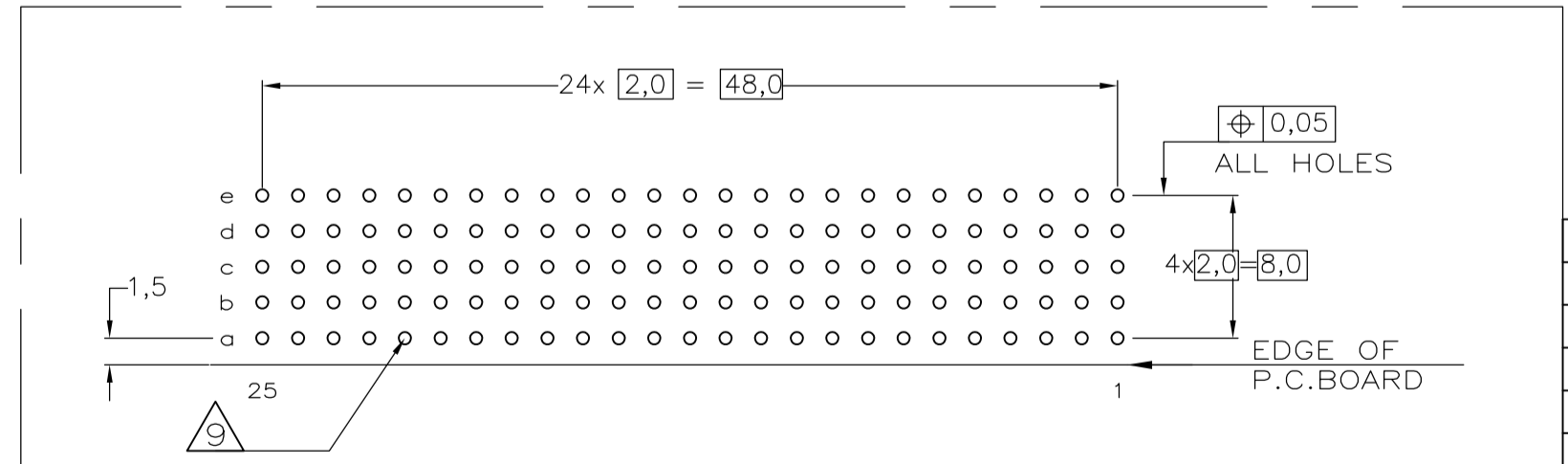


THIS DRAWING IS UNPUBLISHED. RELEASED FOR PUBLICATION  
 © COPYRIGHT BY TYCO ELECTRONICS CORPORATION. ALL INTERNATIONAL RIGHTS RESERVED.

REVISIONS				
P	LTR	DESCRIPTION	DATE	APVD
M2		REV PER ECR-09-027136	11DEC2009	JY SY



- NOTES:**
- ▲ MATERIAL CONTACT; PHOSPHORBRONZE  
MATERIAL HOUSING; GLASSFILLED POLYESTER (GRAY)  
UL-RATING 94V0.
  - ▲ GENERAL PLATING SPECIFICATION: UNDERPLATING (ENTIRE CONTACT): 1,27µm NICKEL MIN.  
AND ACTION PIN: 0,5µm TIN-LEAD MIN.  
FOR PLATING OF MATING SURFACES SEE APPLICABLE SPECIFICATION REFERENCE FOR EACH DASH NUMBER.
  - ▲ CONFORMS TO ALL TESTING ACCORDING IEC 61076-4-101 PERFORMANCE LEVEL 2.
  - ▲ CONFORMS TO ALL TESTING ACCORDING IEC 61076-4-101 PERFORMANCE LEVEL 1.
  - ▲ CONNECTOR TESTED AND QUALIFIED AGAINST TELCORDIA GR-1217-CORE QUALITY LEVEL III, CENTRAL OFFICE APPLICATIONS.
  - ▲ CONNECTOR TESTED AND QUALIFIED AGAINST TELCORDIA GR-1217-CORE QUALITY LEVEL III, UNCONTROLLED ENVIRONMENT APPLICATIONS.
  - ▲ CONNECTOR LUBRICATED WITH TELCORDIA GR-1217-CORE APPROVED LUBRICANT.
  - ▲ CONNECTOR PRINTED WITH PARTNUMBER AND DATECODE  
THE MARKING CAN APPEAR ON THE FRONT SIDE OR ON THE BACK SIDE.
  - ▲ PLATED-THROUGH HOLES AT 2x2mm SQUARE GRID. 125 HOLES
  - 10. FITS WITH INTEGRATED GROUND RETURN UPSHIELD, BASIC P.N. 338109  
AND INTEGRATED GROUND RETURN LOWERSHIELD, BASIC P.N. 338110
  - ▲ CONNECTOR ASSEMBLED WITH REDESIGNED CONTACTS.  
CONTACTS HAVE A CORING-OUT IN THE PLASTIC.
  - ▲ 0,76µm MIN GOLD PLATING AT MATING SURFACES.



SCALE 2,5:1  
 COMPONENT SIDE AS SHOWN  
 RECOMMENDED PCB-HOLE LAY-OUT

P.C.B. HOLE DIM. ACTION PIN  
 FOR DETAILS SEE APPLICATION SPECIFICATION

THIS DRAWING IS A CONTROLLED DOCUMENT.		DWN D.TRUREN 20JAN97	Tyco Electronics Corporation Harrisbur, PA 17105-3608
DIMENSIONS: mm		CHK W.V.D.HEIJDEN 20JAN97	
TOLERANCES UNLESS OTHERWISE SPECIFIED:		APVD B. MOOIJ	NAME
0 PLC ± -		PRODUCT SPEC	108-19082
1 PLC ± -		APPLICATION SPEC	114-19029
2 PLC ± -		WEIGHT	-
3 PLC ± -		CUSTOMER DRAWING	SCALE NTS SHEET 1 of 1 REV M2
4 PLC ± -		FINISH	-
ANGLES ± -		SIZE	A2
MATERIAL		CAGE CODE	00779
FINISH		DRAWING NO	C=100145
P.C.B. HOLE DIM. ACTION PIN		RESTRICTED TO	-