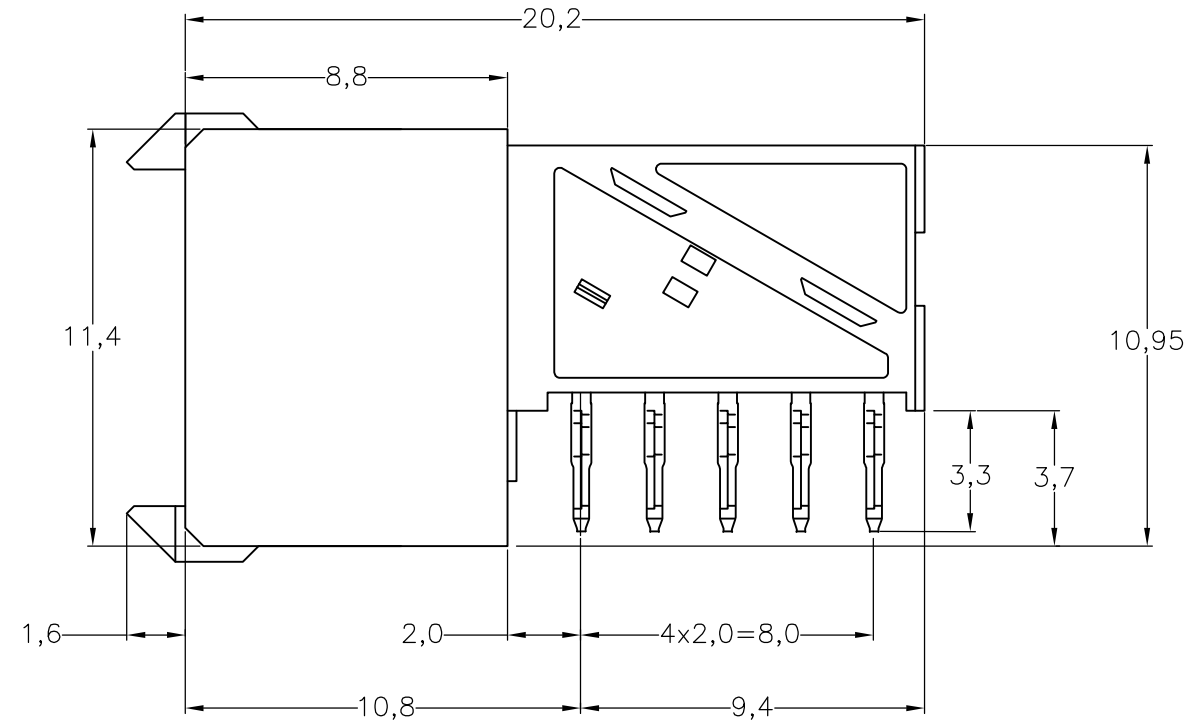
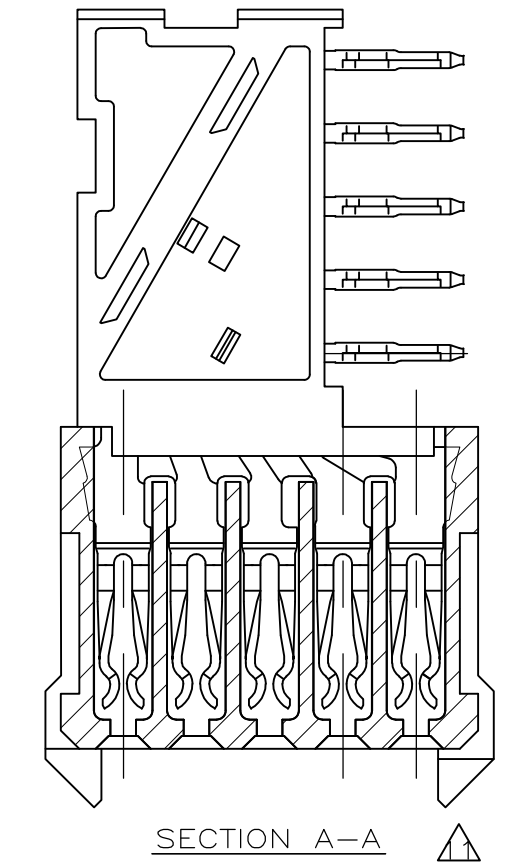
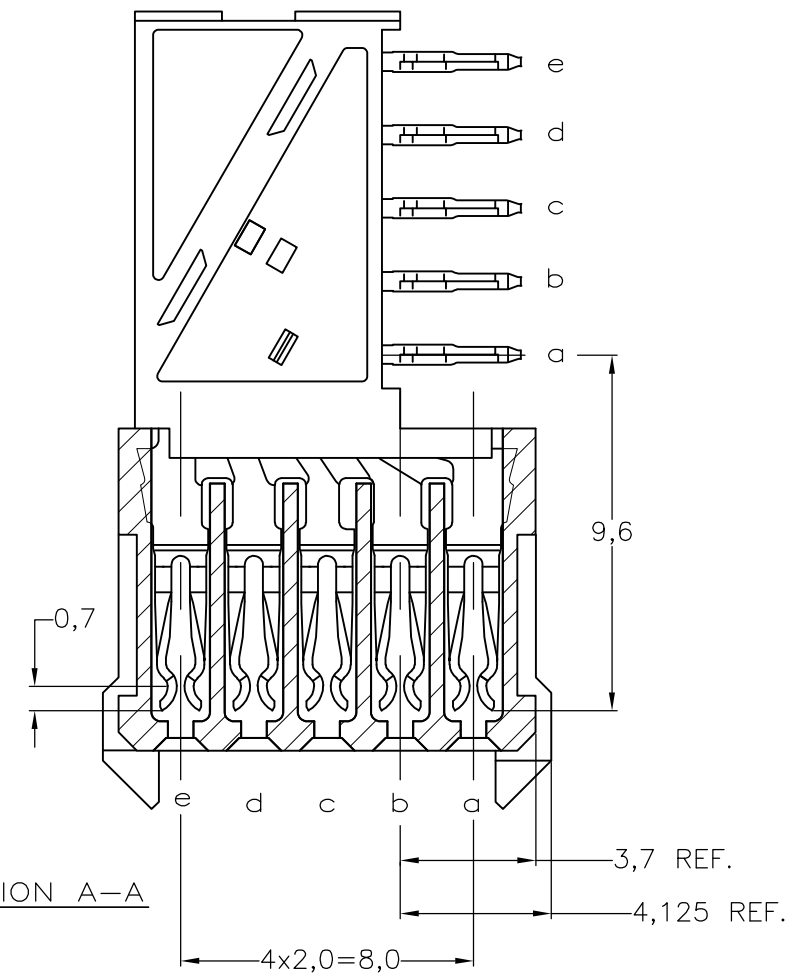
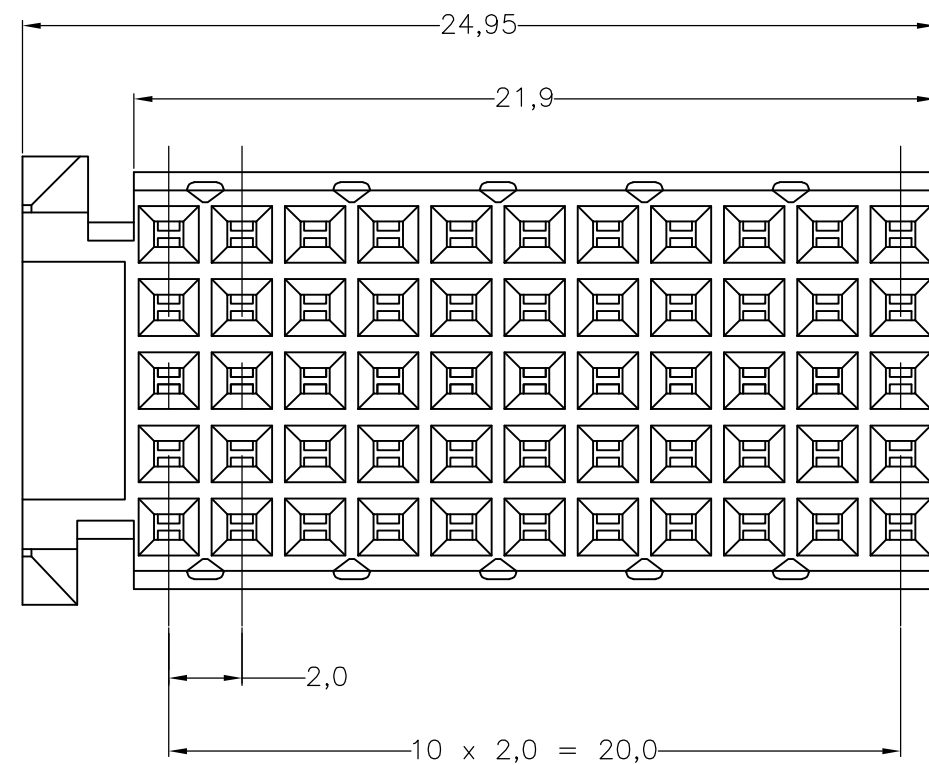
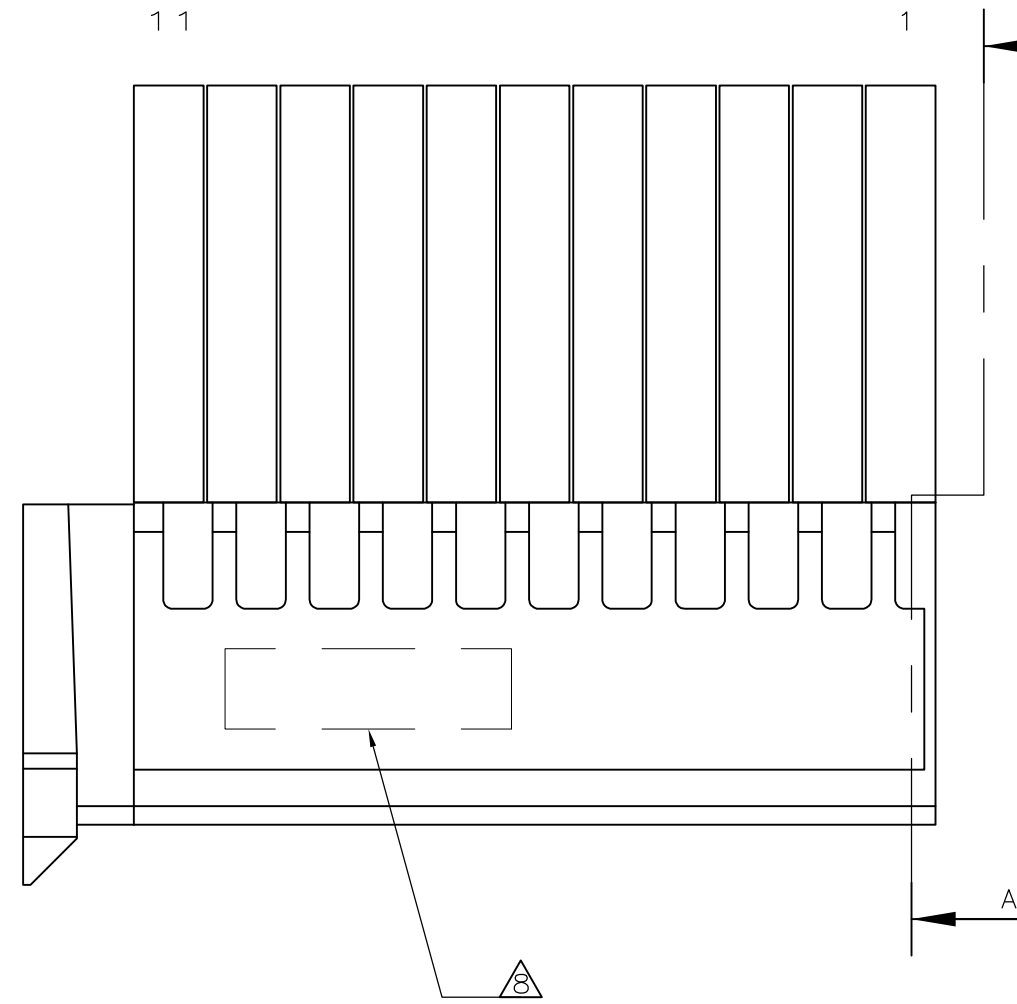
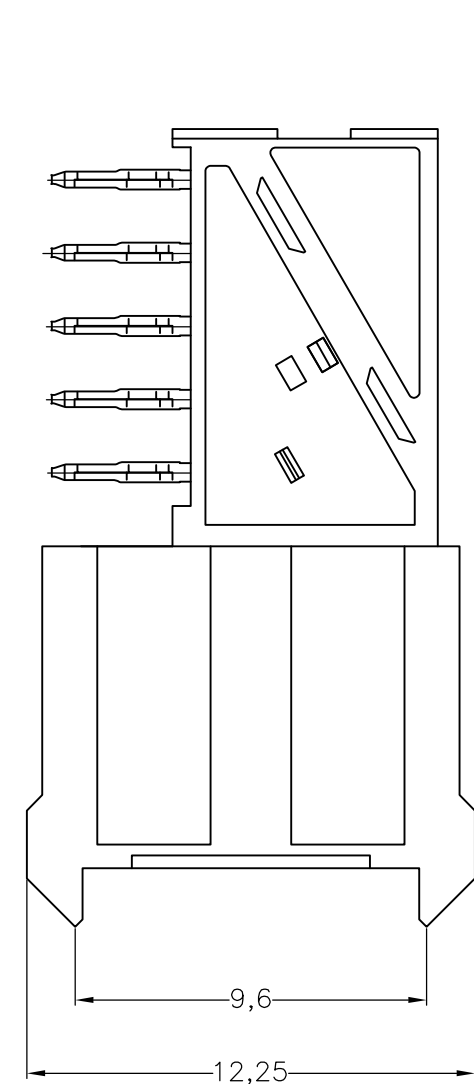


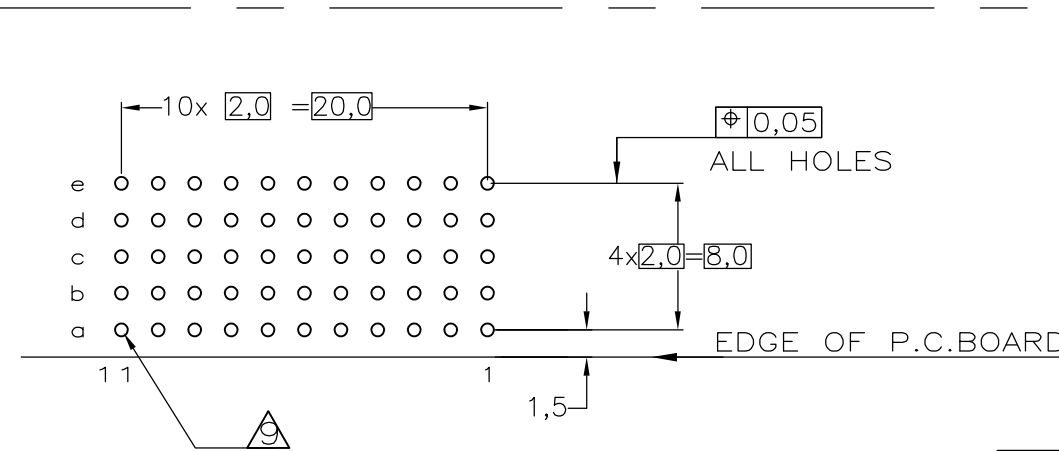
THIS DRAWING IS UNPUBLISHED. RELEASED FOR PUBLICATION
 © COPYRIGHT BY TYCO ELECTRONICS CORPORATION. ALL INTERNATIONAL RIGHTS RESERVED.

LOC	DIST	REVISIONS			
P	LTR	DESCRIPTION	DATE	DWN	APVD
H	-				
M2		REV PER ECR-09-027655	21DEC2009	JY	SY
N		ECR-10-018652	10SEP10	SW	MQW



NOTES:

- ⚠ MATERIAL CONTACT; PHOSPHORBRONZE
MATERIAL HOUSING; GLASSFILLED POLYESTER (GRAY)
UL-RATING 94VO.
- ⚠ GENERAL PLATING SPECIFICATION: UNDERPLATING (ENTIRE CONTACT): 1,27µm NICKEL MIN.
AND ACTION PIN: 0,5µm TIN-LEAD MIN.
FOR PLATING OF MATING SURFACES SEE APPLICABLE SPECIFICATION REFERENCE FOR EACH DASH NUMBER.
- ⚠ CONFORMS TO ALL TESTING ACCORDING IEC 61076-4-101 PERFORMANCE LEVEL 2.
- ⚠ CONFORMS TO ALL TESTING ACCORDING IEC 61076-4-101 PERFORMANCE LEVEL 1.
- ⚠ CONNECTOR TESTED AND QUALIFIED AGAINST TELCORDIA GR-1217-CORE QUALITY LEVEL III, CENTRAL OFFICE APPLICATIONS.
- ⚠ CONNECTOR TESTED AND QUALIFIED AGAINST TELCORDIA GR-1217-CORE QUALITY LEVEL III, UNCONTROLLED ENVIRONMENT APPLICATIONS.
- ⚠ CONNECTOR LUBRICATED WITH TELCORDIA GR-1217-CORE APPROVED LUBRICANT.
- ⚠ CONNECTOR PRINTED WITH PARTNUMBER AND DATECODE
THE MARKING CAN APPEAR ON THE FRONT SIDE OR ON THE BACK SIDE.
- ⚠ PLATED-THROUGH HOLES AT 2x2mm SQUARE GRID. 55 HOLES
- 10 FITS WITH INTEGRATED GROUND RETURN UPPERSHIELD, BASIC P.N. 352111
AND INTEGRATED GROUND RETURN LOWERSHIELD, BASIC P.N. 352112
- ⚠ CONNECTOR ASSEMBLED WITH REDESIGNED CONTACTS.
CONTACTS HAVE A CORING-OUT IN THE PLASTIC.
- ⚠ 0.76µm MIN GOLD PLATING AT MATING SURFACES.



SCALE 2,5:1
 COMPONENT SIDE AS SHOWN
 RECOMMENDED PCB-HOLE LAY-OUT

P.C.B. HOLE DIM. ACTION PIN
 FOR DETAILS SEE
 APPLICATION SPECIFICATION

THIS DRAWING IS A CONTROLLED DOCUMENT.	
DIMENSIONS: mm	TOLERANCES, UNLESS OTHERWISE SPECIFIED: ±0.2
MATERIAL	FINISH

DWN F.V.KONINGSBRUGGE 20JAN97	CHK W.V.D.HEIJDEN 20JAN97	APVD F.V.KONINGSBRUGGE	NAME F.V.KONINGSBRUGGE	PRODUCT SPEC 108-19082	APPLICATION SPEC 114-19029	WEIGHT -	CUSTOMER DRAWING
Tyco Electronics Corporation Harrisbur, PA 17105-3608		Z-PACK 2MM HM TYPE C 55 POS. FEMALE CONNECTOR		SIZE A2	CAGE CODE 00779	DRAWING NO C=100161	RESTRICTED TO -
SCALE NTS				SHEET 1 of 1		REV N	