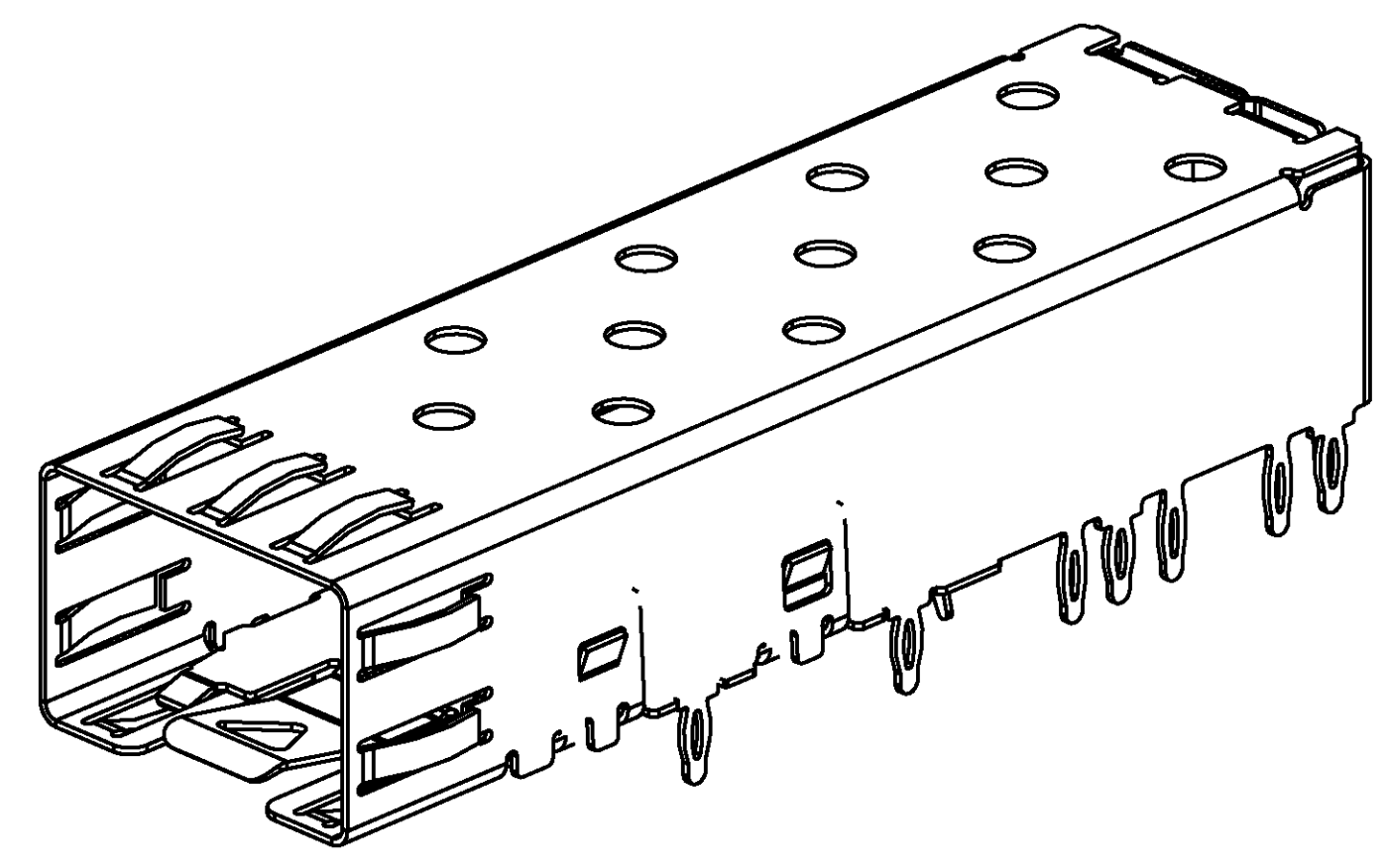
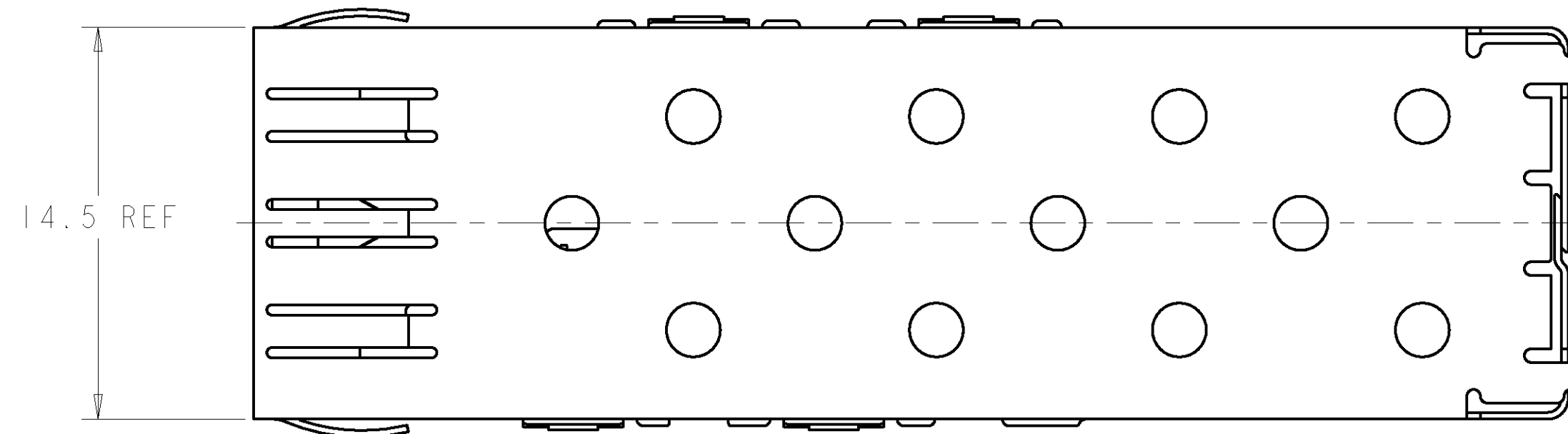
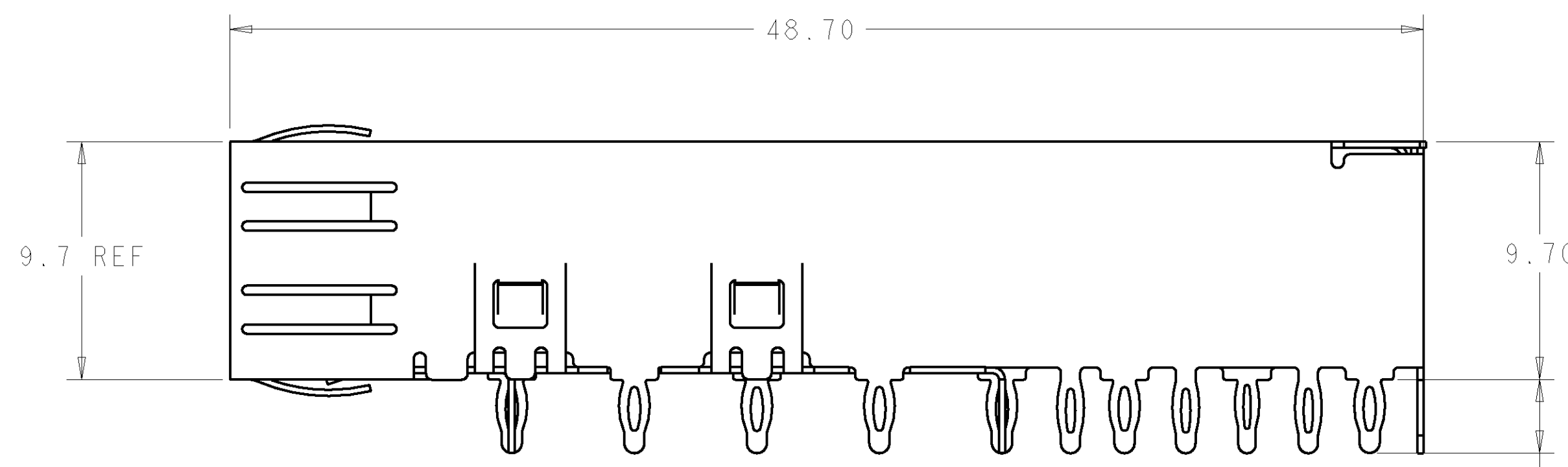
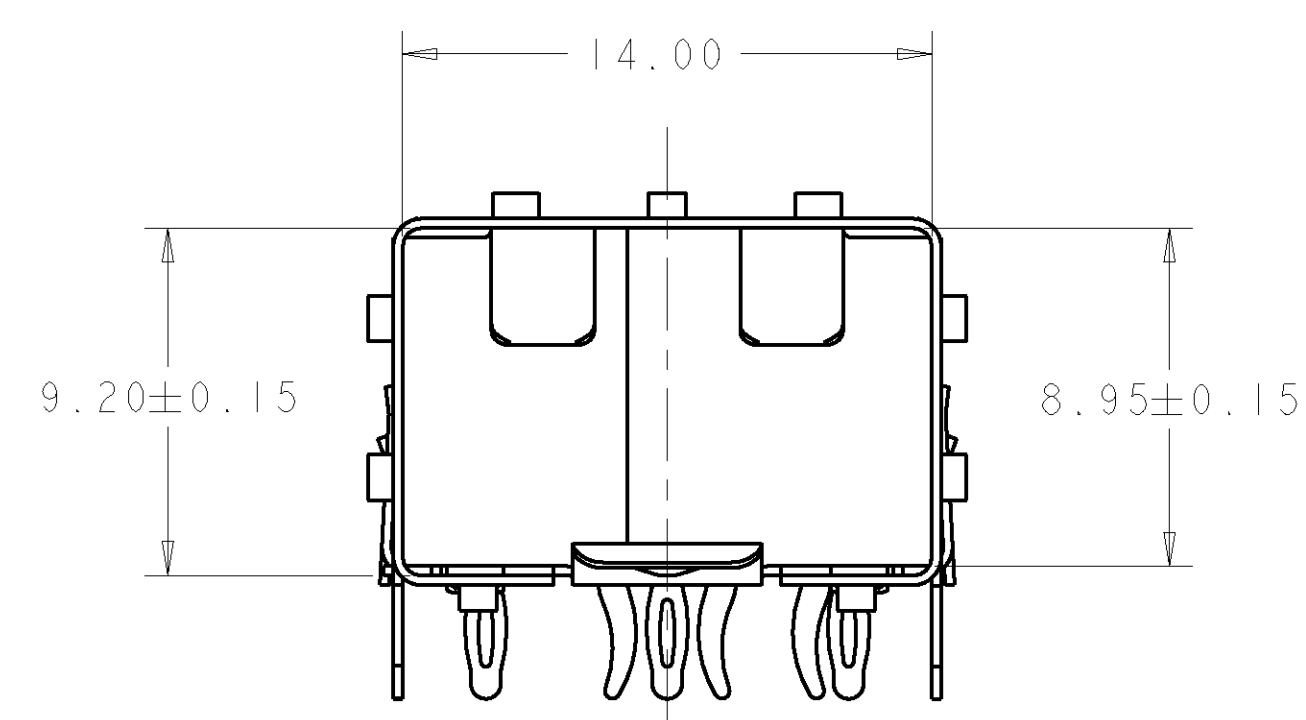


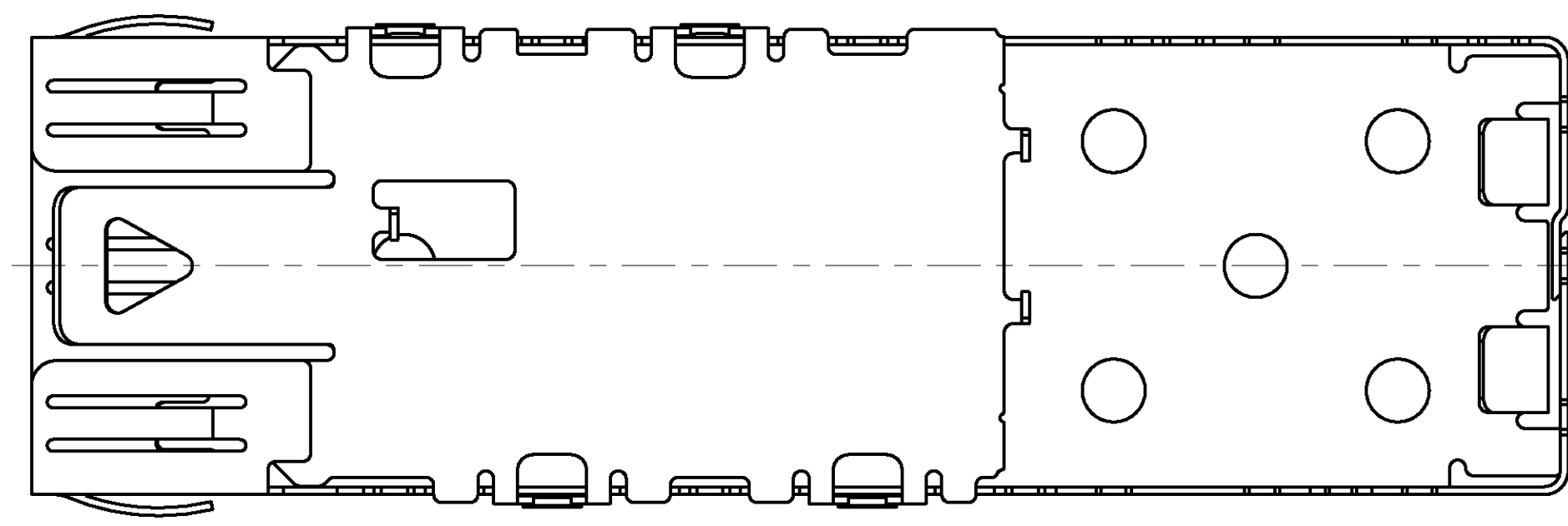
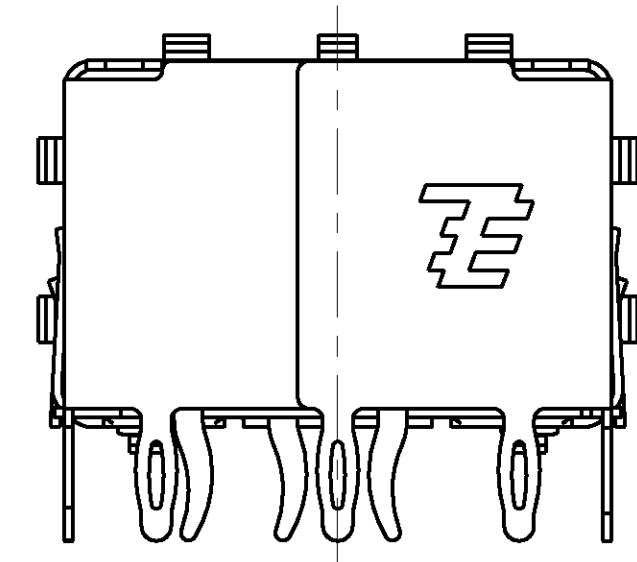
LOC		DIST		REVISIONS			
GP	00	REV	LYR	DESCRIPTION	DATE	DWN	APVD
C3				REVISED PER ECO-11-005027	20APR11	RK	HMR



SCALE 4:1



3.00 TYP
TAIL LENGTH



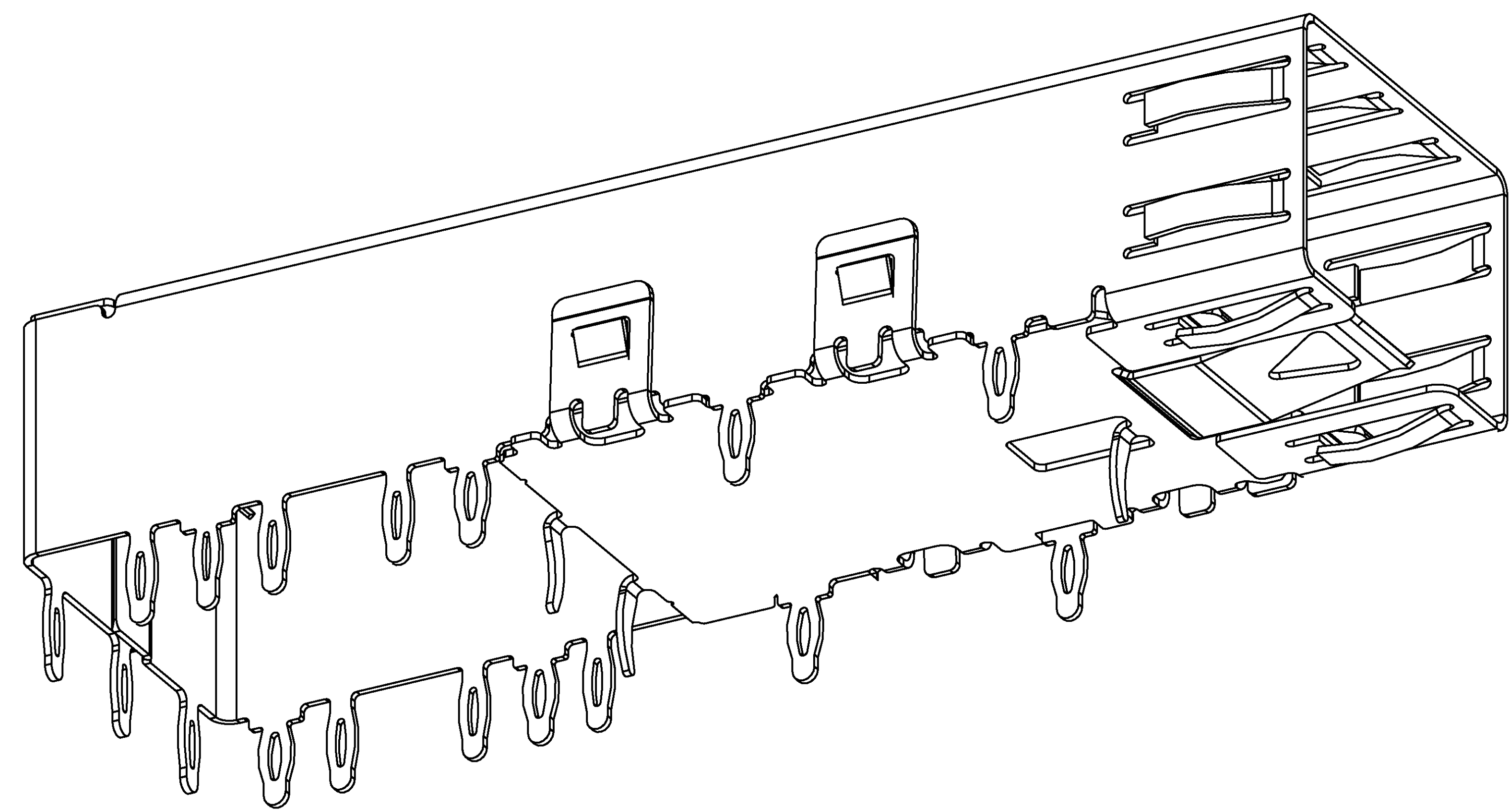
- 1. MATERIAL: 0.25 THICK COPPER ALLOY.
- 2. FINISH: TIN. NONPLATED EDGES PERMISSIBLE.
- 3. SFP MSA COMPATIBLE.
- 4. PADS AND VIAS CHASSIS GROUND.
- 5. DATUM AND BASIC DIMENSION ESTABLISHED BY CUSTOMER.
- 6. MINIMUM PC BOARD THICKNESS:
SINGLE SIDED= 1.45
DOUBLE SIDED STAGGERED= 3.00

AS SHOWN	1489779-1
DESCRIPTION	PART NUMBER

DIMENSIONS: mm 		TOLERANCES UNLESS OTHERWISE SPECIFIED: 3 PLC ± 2 PLC ±0.10 5 PLC ± 4 PLC ± ANGLES ±		DWN M. E. SHIRK 14NOV01 CHK J. KOPPENHEFFER 31MAY02 APVD M. WALMSLEY 31MAY02 NAME PRODUCT SPEC 108-1950 APPLICATION SPEC 114-13120 WEIGHT CUSTOMER DRAWING		SIZE CAGE CODE DRAWING NO RESTRICTED TO A 100779 C-1489779 SCALE 5:1 SHEET 1 OF 3 REV C3	
MATERIAL 		FINISH 		TE Connectivity STE		CAGE ASSEMBLY, 20 PRESS FIT, SFP	

THIS DRAWING IS UNPUBLISHED. RELEASED FOR PUBLICATION
 © COPYRIGHT ALL RIGHTS RESERVED.

LOC	DIST	REVISIONS			
		REV	DATE	DWN	APVD
GP	00	-	-	-	-
		SEE SHEET 1		-	-



SCALE 8:1

DIMENSIONS: mm		TOLERANCES UNLESS OTHERWISE SPECIFIED: 0 PLC ± 1 PLC ±.10 2 PLC ± 3 PLC ± 4 PLC ± ANGLES ±		DWN M. E. SHIRK 14NOV01 CHK J. KOPPENHEFFER 31MAY02 APVD M. WALMSLEY 31MAY02		STE TE Connectivity	
		PRODUCT SPEC 108-1950 APPLICATION SPEC 114-13120		NAME CAGE ASSEMBLY, 20 PRESS FIT, SFP		SIZE CAGE CODE DRAWING NO RESTRICTED TO A 100779 C-1489779 -	
MATERIAL - FINISH -		WEIGHT - CUSTOMER DRAWING		SCALE 5:1 SHEET 2 OF 3 REV C3			

