

PLEASE CHECK WWW.MOLEX.COM FOR LATEST PART INFORMATION

Part Number: [0015249105](#)
Status: **Active**
Description: 4.20mm (.165") Pitch Mini-Fit BMI™ Header, Dual Row, Right Angle, with Snap-in Plastic Peg PCB Lock, 10 Circuits, PA Polyamide Nylon 6/6, UL 94V-0, with Overall Gold (Au) Plating

Documents:

[3D Model](#) [Product Specification PS-5556-002 \(PDF\)](#)
[Drawing \(PDF\)](#) [RoHS Certificate of Compliance \(PDF\)](#)

Agency Certification

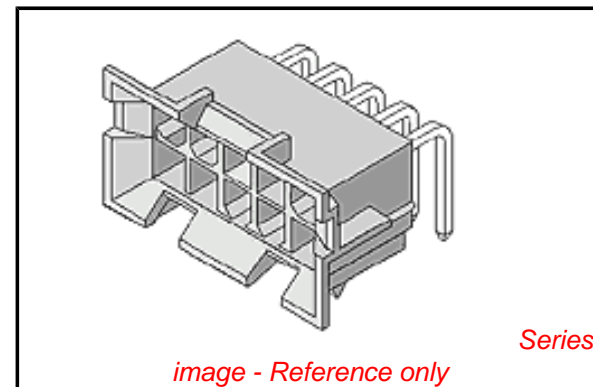
CSA LR19980
 UL E29179

General

Product Family PCB Headers
 Series [42404](#)
 Application Board-to-Board, Wire-to-Board
 Comments Current = 13A max. per circuit when header is mated to a receptacle loaded with [45750](#) Mini-Fit Plus HCS™ Crimp Terminal Crimped to to 16 AWG wire. . See Molex product specification PS-45750-001 for additional current de-rating information.
 Product Name Mini-Fit BMI™

Physical

Breakaway No
 Circuits (Loaded) 10
 Circuits (maximum) 10
 Color - Resin Natural (White)
 Durability (mating cycles max) 30
 Flammability 94V-0
 Glow-Wire Compliant No
 Guide to Mating Part Yes
 Lock to Mating Part Yes
 Material - Metal Brass
 Material - Plating Mating Gold
 Material - Plating Termination Gold
 Material - Resin Nylon
 Number of Rows 2
 Orientation Right Angle
 PC Tail Length (in) 0.130 In
 PC Tail Length (mm) 3.30 mm
 PCB Locator Yes
 PCB Retention Yes
 PCB Thickness Recommended (in) 0.070 In
 PCB Thickness Recommended (mm) 1.80 mm
 Packaging Type Tray
 Pitch - Mating Interface (in) 0.165 In
 Pitch - Mating Interface (mm) 4.20 mm
 Plating min: Mating (µin) 30.4
 Plating min: Mating (µm) 0.76
 Plating min: Termination (µin) 30.4
 Plating min: Termination (µm) 0.76
 Polarized to Mating Part Yes
 Polarized to PCB Yes



EU RoHS

ELV and RoHS Compliant
REACH SVHC
 Not Reviewed
Halogen-Free Status

China RoHS



Need more information on product environmental compliance?

Email productcompliance@molex.com
 For a multiple part number RoHS Certificate of Compliance, [click here](#)

Please visit the [Contact Us](#) section for any non-product compliance questions.

Search Parts in this Series

[42404Series](#)

Mates With

[15-06-0101](#) Mini-Fit BMI™ Panel Mount Receptacle, [39-01-2105](#) Mini-Fit Jr.™ Receptacle, [15-24-7103](#) Mini-Fit BMI™ Vertical Receptacle Header

Shrouded	Partial
Stackable	No
Surface Mount Compatible (SMC)	No
Temperature Range - Operating	-40°C to +105°C
Termination Interface: Style	Through Hole

Electrical

Current - Maximum per Contact	13A
Voltage - Maximum	600V

Solder Process Data

Duration at Max. Process Temperature (seconds)	5
Lead-free Process Capability	Wave Capable (TH only)
Max. Cycles at Max. Process Temperature	1
Process Temperature max. C	240

Material Info

Old Part Number	A-42404-10B2
-----------------	--------------

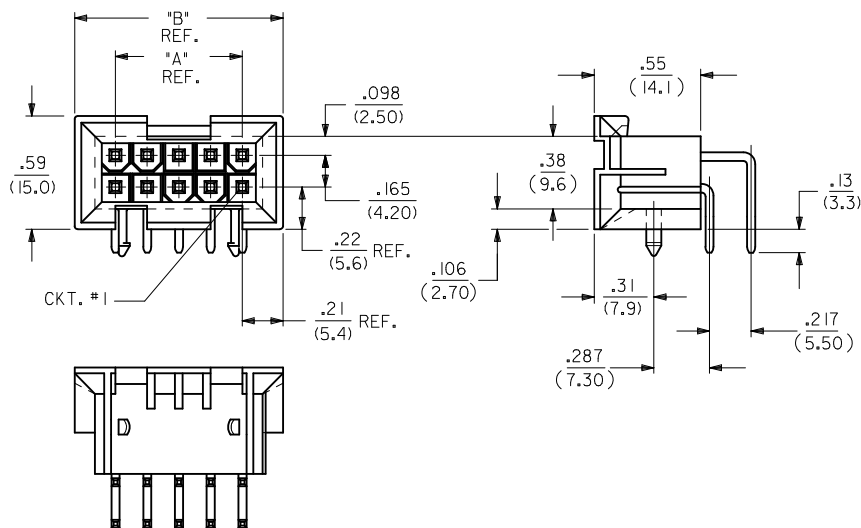
Reference - Drawing Numbers

Packaging Specification	PK-42404-002
Product Specification	PS-5556-002
Sales Drawing	SDA-42404-****
Test Summary	TS-5556-002

This document was generated on 05/11/2010

PLEASE CHECK WWW.MOLEX.COM FOR LATEST PART INFORMATION

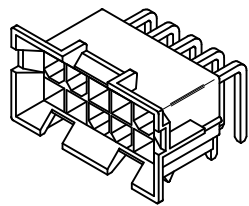
CIRCUIT SIZE	DIM. "A"	DIM. "B"
6	.331 (8.40)	.76 (19.2)
8	.496 (12.60)	.92 (23.4)
10	.661 (16.80)	1.09 (27.6)
12	.827 (21.00)	1.25 (31.8)
14	.992 (25.20)	1.42 (36.0)
16	1.157 (29.40)	1.58 (40.2)
18	1.323 (33.60)	1.75 (44.4)
20	1.488 (37.80)	1.91 (48.6)
22	1.654 (42.00)	2.08 (52.8)
24	1.819 (46.20)	2.24 (57.0)



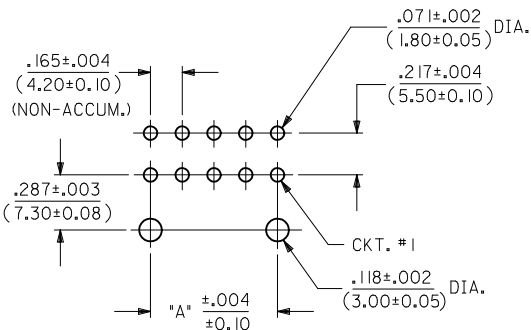
NOTES:

- MATERIAL: HOUSING: "A" = NYLON 6/6, U.L. 94V-2, COLOR: NATURAL. "B" = NYLON 6/6, U.L. 94V-0, COLOR: NATURAL. TERMINAL: BRASS ALLOY 260.
- TERMINAL PLATING:
 - .000100/(.00254) MIN. BRIGHT TIN OVER .000050/(.00127) MIN. NICKEL OVERALL.
 - .000030/(.00076) MIN. GOLD OVER .000050/(.00127) MIN. NICKEL OVERALL.
 - *3 = .000100/(.00254) MIN. MATTE TIN OVER .000050/(.00127) MIN. NICKEL OVERALL.
 - 5 = .000030/(.00076) MIN. GOLD AND .000100/(.00254) MIN. MATTE TIN OVER .000050/(.00127) MIN. NICKEL OVERALL.

*THE PRIMARY SHIPPING CARTON WILL BE LABELED "COMPLIANT TO RoHS DIRECTIVE 2002/95/EC AND ELV ANNEX II OF DIRECTIVE 2000/53/EC." CARTONS WITHOUT THIS LABEL MAY CONTAIN PRODUCT WITH TIN-LEAD PLATING.
- PRODUCT SPECIFICATION AND PROCESSING PARAMETERS: SEE PS-5556-002
- PACKAGING SPECIFICATION: PK-42404-002.
- 4-24 CKT. PARTS MATE WITH MINI-FIT JR. RECEPTACLES #5557, #42385 AND #42474. 2 CKT. PART MATES WITH #42385 AND #42474 ONLY.
- PART ALLOWS FOR UP TO .100/(2.54) MISALIGNMENT WITH MATING RECEPTACLE IN ANY DIRECTION. SEE MATING CONNECTOR DRAWINGS FOR SPECIFIC ALLOWANCES.
- CONNECTOR ASSEMBLIES ARE NOT TO BE MATED OR UNMATED WHILE CIRCUITS ARE LIVE.
- A MAXIMUM TOLERANCE OF .050/(1.27) ALLOWS FOR 2 POINTS OF ELECTRICAL CONTACT. A MAXIMUM TOLERANCE OF .020/(.51) ALLOWS FOR 4 POINTS OF CONTACT.
- DISCOLORATION IN THE BANDOLIER CARRIER AREA OF THE PIN IS INHERENT TO THE PLATING PROCESS AND IS DUE TO THE MASKING EFFECT OF THE CARRIER. THIS DISCOLORATION IS IN A NON-FUNCTIONAL AREA OF THE PIN AND WILL NOT AFFECT THE PERFORMANCE OF THE HEADER ASSEMBLY.
- PART IS NOT DESIGNED FOR CURRENT SHARING.
- PART IS NOT INTENDED TO PROVIDE ANY ALIGNMENT OF CUSTOMER COMPONENTS OR MODULES, SUCH AS POWER SUPPLIES AND CHASSIS.
- PARTS CONFORM TO CLASS 'B' REQUIREMENTS OF COSMETIC SPECIFICATION PS-45499-002.*

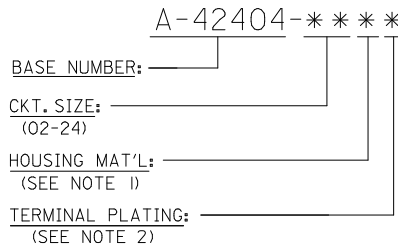


A-42404-****



RECOMMENDED HOLE LAYOUT FOR .070/(1.78) MAX. THICK P.C. BOARD VIEWED FROM COMPONENT SIDE

LEGEND:



CKT. SIZE	HOUSING MAT'L	TERMINAL MAT'L	PLATING
2-4	PHOS. BRZ.	PHOS. BRZ.	GOLD
2-4	PHOS. BRZ.	PHOS. BRZ.	TIN
2-4	BRASS	BRASS	GOLD
2-4	BRASS	BRASS	TIN
2-4	PHOS. BRZ.	PHOS. BRZ.	GOLD
2-4	PHOS. BRZ.	PHOS. BRZ.	TIN
2-4	BRASS	BRASS	GOLD
2-4	BRASS	BRASS	TIN

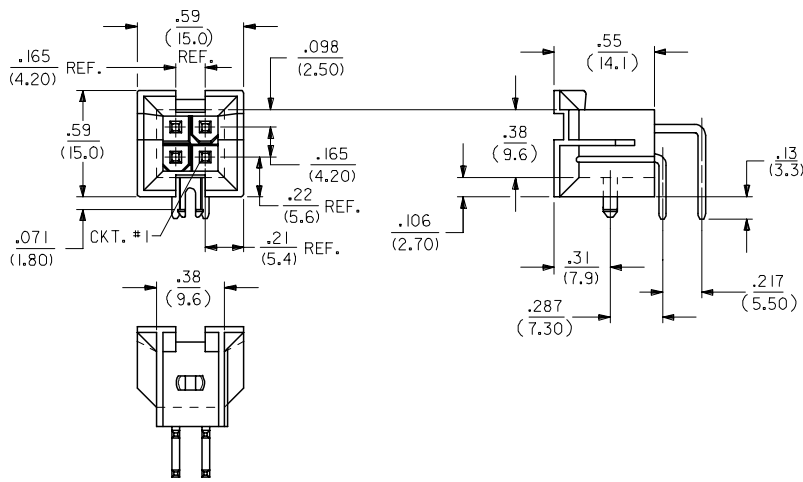
DESCRIPTION	REVISION
R.A. HEADER A-42404	R2
MATING CONNECTOR	
HSG. MAT'L. TERM. MAT'L. PLATING	
MATING CONNECTOR FEATURES	

REVISE NOTES EC NO: UCP2010-0864 DRWNG: JAGUILAR 2010/01/18 CHKD: JEBEL 2010/01/06 APPR: FSMITH 2010/03/16 DESCRIPTION REV	QUALITY SYMBOLS ▽=0 ▽=0	GENERAL TOLERANCES (UNLESS SPECIFIED)		DIMENSION STYLE IN/MM		SCALE 1:1	DESIGN UNITS METRIC	THIRD ANGLE PROJECTION	
		mm INCH		DRAWN BY RWK	DATE 2/7/89	TITLE MINI-FIT JR. 2-24 CKT RIGHT ANGLE HEADER ASSY (BLIND MATE)			
		4 PLACES ± --- ± --- 3 PLACES ± --- ± .010 2 PLACES ± 0.25 ± .015 1 PLACE ± 0.38 ± ---		CHECKED BY RJF	DATE 2/7/89	MOLEX MOLEX INCORPORATED			
		ANGULAR ± 1/2°		APPROVED BY FSMITH	DATE 2010/03/16	MATERIAL NO. SEE SHTS 3&4 SDA-42404-****		DOCUMENT NO.	SHEET NO. 1 OF 4
DRAFT WHERE APPLICABLE MUST REMAIN WITHIN DIMENSIONS								THIS DRAWING CONTAINS INFORMATION THAT IS PROPRIETARY TO MOLEX INCORPORATED AND SHOULD NOT BE USED WITHOUT WRITTEN PERMISSION	

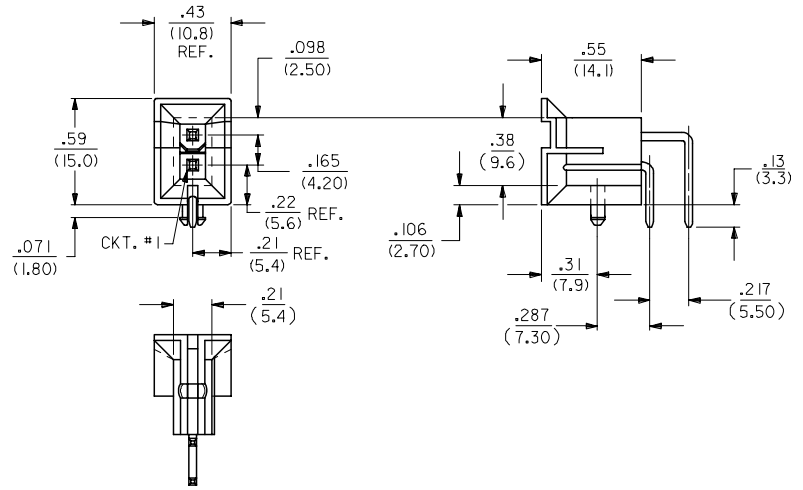
13 12 11 10 9 8 7 6 5 4 3 2 1

J
I
H
G
F
E
D
C
B
A

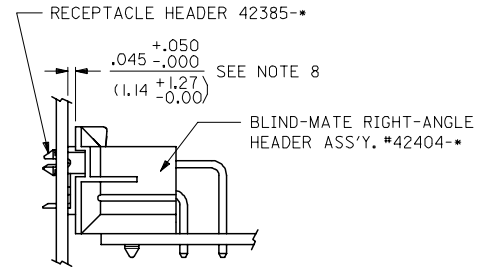
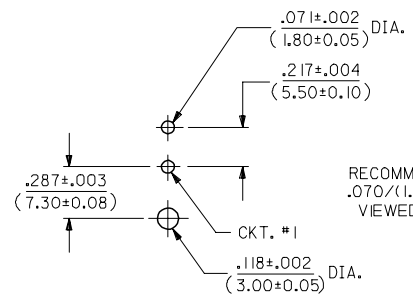
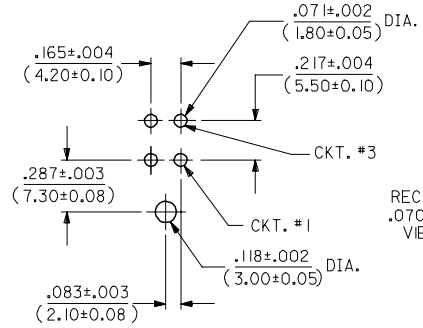
J
I
H
G
F
E
D
C
B
A



A-42404-04**



A-42404-02**



SEE SHEET 1 FC NO: UCP2006-1780 DRW:ADRAINOL 2006/02/03 CHKD:GPOLGAR 2006/02/03 APPR:ICOMERCJ 2006/02/06 REV:	QUALITY SYMBOLS ▽=0 ▽=0	GENERAL TOLERANCES (UNLESS SPECIFIED) 4 PLACES ± --- ± --- 3 PLACES ± --- ± .01 2 PLACES ± 0.25 ± .015 1 PLACE ± 0.38 ± --- ANGULAR ±1/2°	DIMENSION STYLE IN/MM	SCALE 2:1 DESIGN UNITS METRIC THIRD ANGLE PROJECTION
	DRAWN BY RWK CHECKED BY RJF APPROVED BY RAS MATERIAL NO. DATE 1989/02/07 DATE 1989/02/07 DATE 1989/02/07	TITLE MINI-FIT JR. 2-24 CKT RIGHT ANGLE HEADER ASSY (BLIND MATE)	MOLEX INCORPORATED	SHEET NO. 2 OF 4
	DRAFT WHERE APPLICABLE MUST REMAIN WITHIN DIMENSIONS	SEE SHTS 3&4 SDA-42404-****	THIS DRAWING CONTAINS INFORMATION THAT IS PROPRIETARY TO MOLEX INCORPORATED AND SHOULD NOT BE USED WITHOUT WRITTEN PERMISSION	

12 11 10 9 8 7 6 5 4 3 2 1

REMOVE PLATE CODE
EC NO: UCP2010-0864
DRWN: JAGUILAR 2010/01/18
CHKD: J.BELL 2010/01/06
APPR: FSMITH 2010/03/16

QUALITY SYMBOLS
▽=0
▽=0

GENERAL TOLERANCES (UNLESS SPECIFIED)

	mm	INCH
4 PLACES	± .005	± .0004
3 PLACES	± .005	± .0004
2 PLACES	± .005	± .0004
1 PLACE	± .005	± .0004

ANGULAR ±1/2°

DRAFT WHERE APPLICABLE
MUST REMAIN WITHIN DIMENSIONS

DIMENSION STYLE
IN/MM

DRAWN BY DATE
RWK 1989/02/08

CHECKED BY DATE
RJF 1989/02/08

APPROVED BY DATE
FSMITH 2010/03/16

MATERIAL NO.
SEE CHARTS

SCALE

METRIC

DESIGN UNITS
METRIC

THIRD ANGLE PROJECTION

TITLE
**MINI-FIT JR. 2-24 CKT
RIGHT ANGLE HEADER ASSY
(BLIND MATE)**

MOLEX INCORPORATED

DOCUMENT NO.
SDA-42404-****

SHEET NO.
3 OF 4

SIZE
C

THIS DRAWING CONTAINS INFORMATION THAT IS PROPRIETARY TO MOLEX INCORPORATED AND SHOULD NOT BE USED WITHOUT WRITTEN PERMISSION

PART NUMBER	ENG. NUMBER	CKT. SIZE	HOUSING MATERIAL	PLATING (NOTE 5)
NOT TOOLED	A-42404-02A1	2	94V-2	BRIGHT TIN OVER NICKEL
I5-24-6040	-04A1	4		
I5-24-6060	-06A1	6		
NOT TOOLED	-08A1	8		
I5-24-6100	-10A1	10		
NOT TOOLED	-12A1	12		
I5-24-6140	-14A1	14		
NOT TOOLED	-16A1	16		
I5-24-6180	-18A1	18		
NOT TOOLED	-20A1	20		
NOT TOOLED	-22A1	22		
I5-24-6240	A-42404-24A1	24	94V-2	BRIGHT TIN OVER NICKEL
NOT TOOLED	A-42404-02A2	2	94V-2	30 M.I. GOLD
I5-24-9043	-04A2	4		
I5-24-9063	-06A2	6		
NOT TOOLED	-08A2	8		
I5-24-9103	-10A2	10		
NOT TOOLED	-12A2	12		
I5-24-9143	-14A2	14		
NOT TOOLED	-16A2	16		
I5-24-9183	-18A2	18		
NOT TOOLED	-20A2	20		
NOT TOOLED	-22A2	22		
I5-24-9243	A-42404-24A2	24	94V-2	30 M.I. GOLD
NOT TOOLED	A-42404-02B1	2	94V-0	BRIGHT TIN OVER NICKEL
I5-24-9044	-04B1	4		
I5-24-9064	-06B1	6		
NOT TOOLED	-08B1	8		
I5-24-9104	-10B1	10		
NOT TOOLED	-12B1	12		
I5-24-9144	-14B1	14		
I5-24-9164	-16B1	16		
I5-24-9184	-18B1	18		
NOT TOOLED	-20B1	20		
NOT TOOLED	-22B1	22		
I5-24-9244	A-42404-24B1	24	94V-0	BRIGHT TIN OVER NICKEL
NOT TOOLED	A-42404-02B2	2	94V-0	30 M.I. GOLD
I5-24-9045	-04B2	4		
I5-24-9065	-06B2	6		
NOT TOOLED	-08B2	8		
I5-24-9105	-10B2	10		
NOT TOOLED	-12B2	12		
I5-24-9145	-14B2	14		
I5-24-9165	-16B2	16		
I5-24-9185	-18B2	18		
NOT TOOLED	-20B2	20		
NOT TOOLED	-22B2	22		
I5-24-9245	A-42404-24B2	24	94V-0	30 M.I. GOLD

PART NUMBER	ENG. NUMBER	CKT. SIZE	HOUSING MATERIAL	PLATING (NOTE 5)
NOT TOOLED	A-42404-02A3	2	94V-2	MATTE TIN OVER NICKEL
NOT TOOLED	-04A3	4		
NOT TOOLED	-06A3	6		
NOT TOOLED	-08A3	8		
NOT TOOLED	-10A3	10		
NOT TOOLED	-12A3	12		
NOT TOOLED	-14A3	14		
NOT TOOLED	-16A3	16		
NOT TOOLED	-18A3	18		
NOT TOOLED	-20A3	20		
NOT TOOLED	-22A3	22		
NOT TOOLED	A-42404-24A3	24	94V-2	MATTE TIN OVER NICKEL