

LOC		DIST		REVISONS		DATE	DWN	APVD
P	LTR	P	LTR	DESCRIPTION				
B1				REVISED ECR-07-014069		03JUL07	T.Z	S.Y

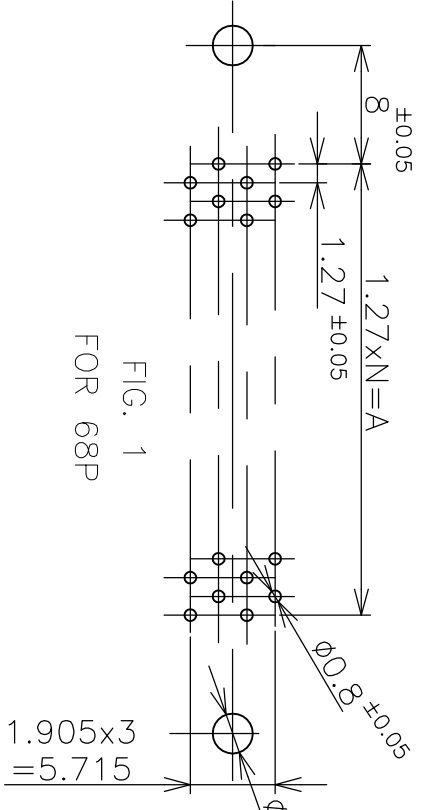
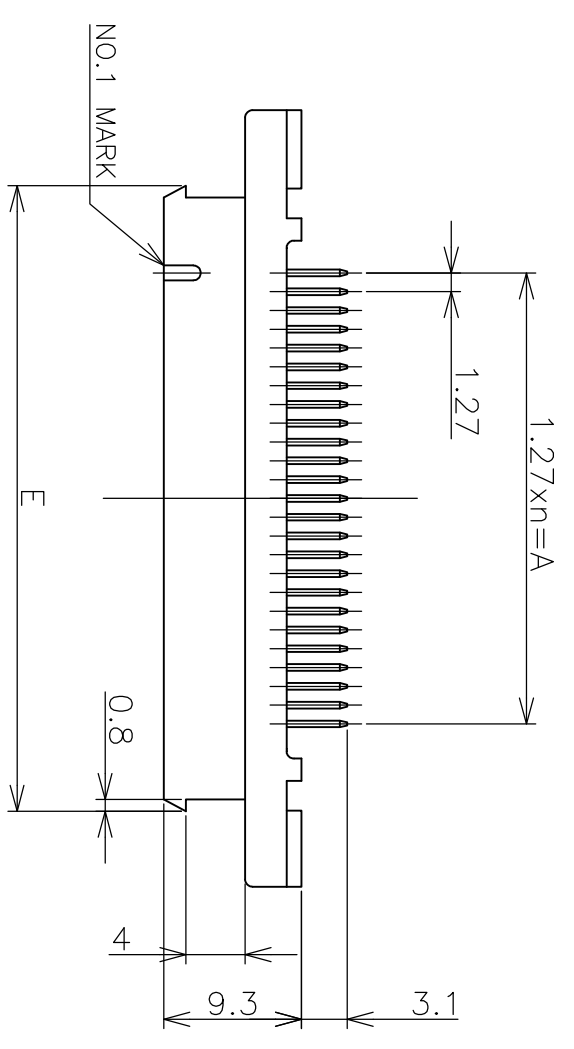


FIG. 1
FOR 68P

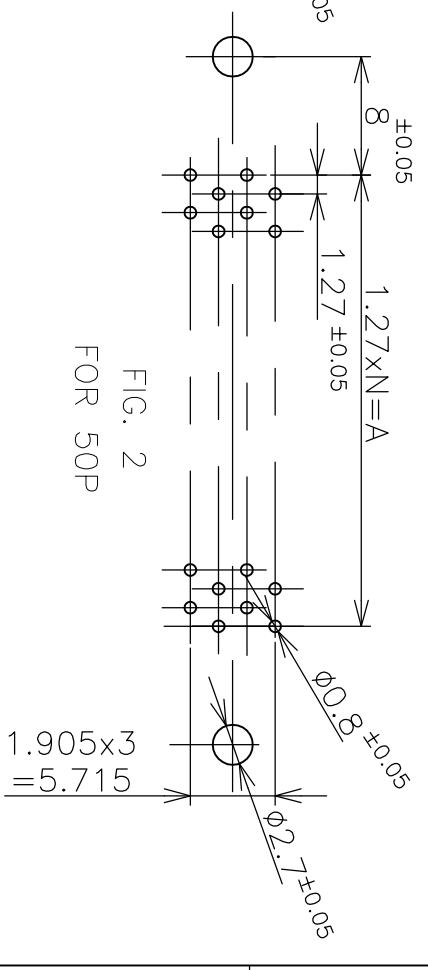
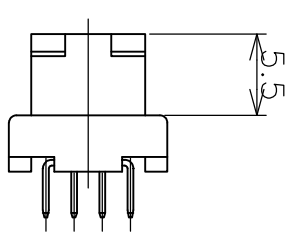
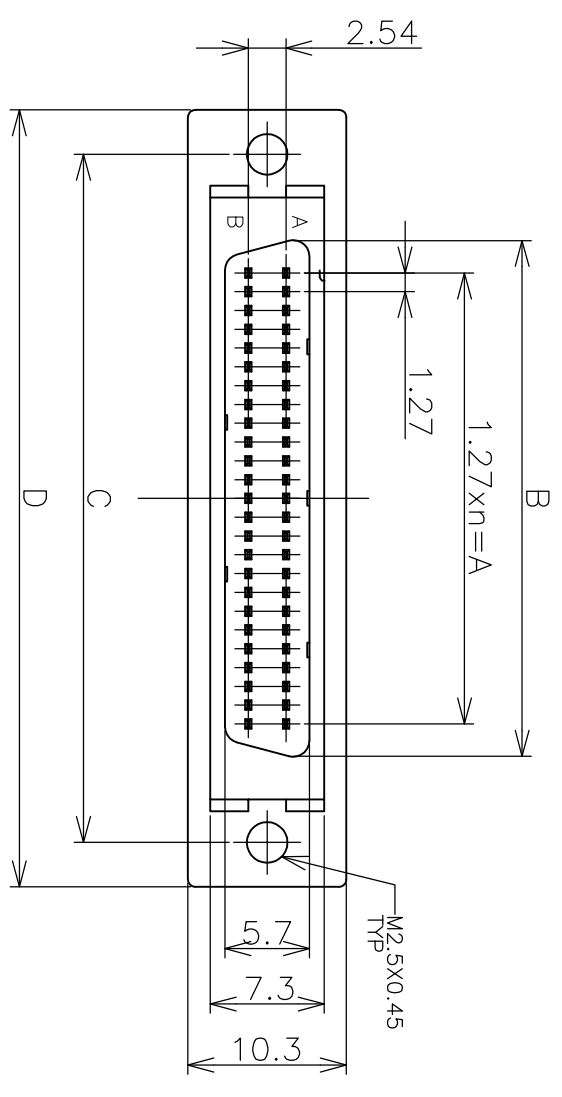
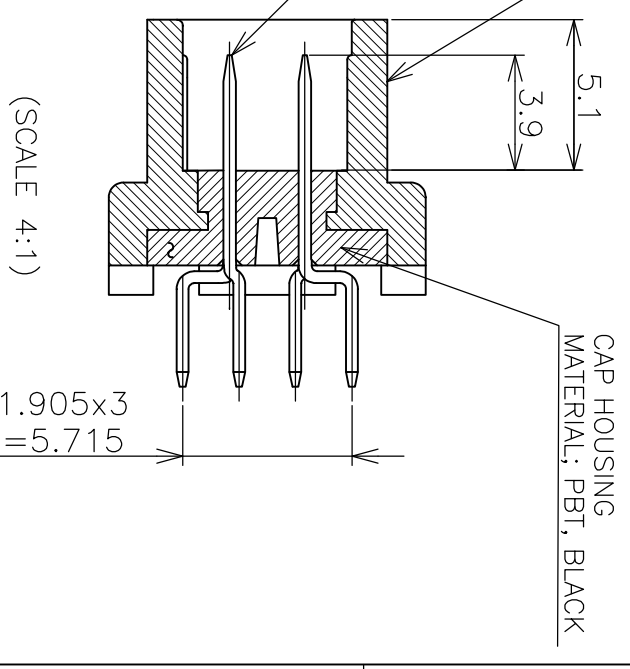


FIG. 2
FOR 50P

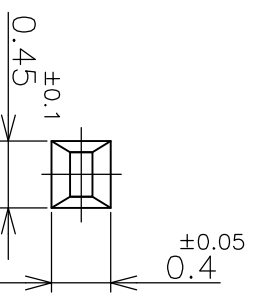


POST CONT-PHOS BRONZE
 DUPLEX PLATED 0.0002 OR 0.00076 MIN.
 GOLD ON CONTACT AREA
 TIN ON SOLDER TINE AREA
 WITH ENTIRE CONT UNDERPLATED NICKEL



(SCALE 4:1)

TOP OF POST (SOLDER SIDE)
 (SCALE 20:1)



GENERAL TOLERANCE	10 ≥: ±0.2	30 ≥ > 10: ±0.25	100 ≥ > 30: ±0.3	ANGLES: ±3°	POS	N	A	B	C	D	E	GOLD THK	PART NO.
68	33	41.91	46.28	57.9	63.9	53.71	0.00076	2-5174339-5					
50	24	30.48	34.85	46.5	52.5	42.28	MIN	2-5174339-4					
68	33	41.91	46.28	57.9	63.9	53.71	0.0002	5174339-5					
50	24	30.48	34.85	46.5	52.5	42.28	MIN	5174339-4					

THIS DRAWING IS A CONTROLLED DOCUMENT.

DIMENSIONS: mm
 TOLERANCES UNLESS OTHERWISE SPECIFIED:

0 PLC	±
1 PLC	±
2 PLC	±
3 PLC	±
4 PLC	±
ANGLES	±

APVD: Roy hao (17Aug04), Steven Yao (17Aug04)
 PRODUCT SPEC: 108-60037-1
 APPLICATION SPEC: 108-60037-1

NAME: Tyco Electronics (Kawasaki, Japan)
 CAP HEADER (VERTICAL/M2.5) AMPLIMITE .050 SERIES II CONN. TYPE B

MATERIAL	SEE ABOVE	FINISH	SEE ABOVE	WEIGHT	CUSTOMER DRAWING	SIZE	A3	CAGE CODE	00779	DRAWING NO.	5174339	RESTRICTED TO
----------	-----------	--------	-----------	--------	------------------	------	----	-----------	-------	-------------	---------	---------------

- 1 P.C BOARD HOLE LAY-OUT AS SHOWN FIG.1 & 2.
- 2 USED SCREW; M2.5x0.45 PANHEAD SCREW.