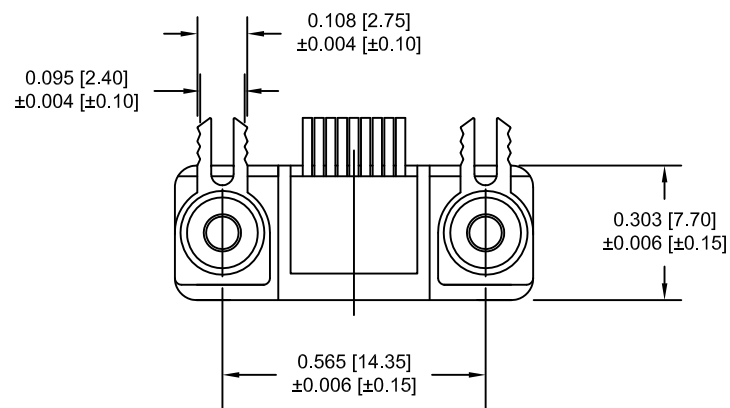
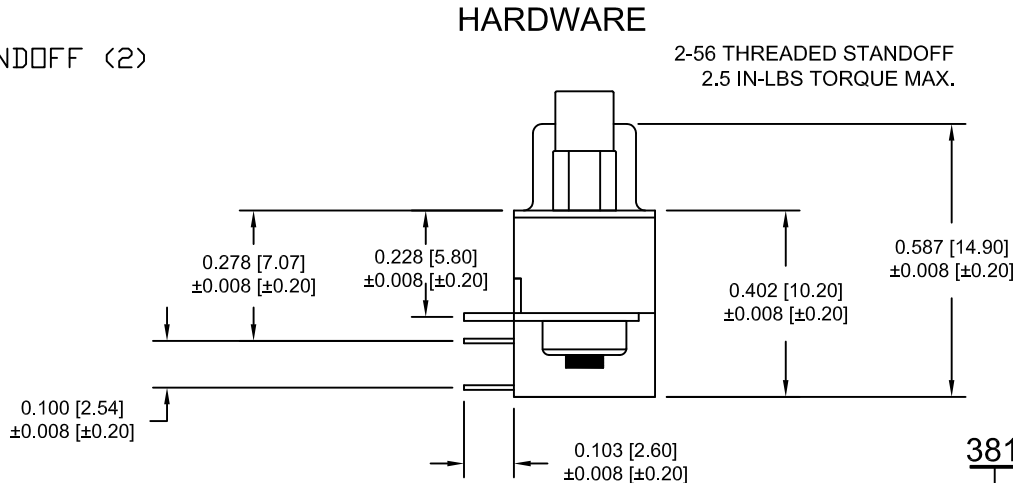
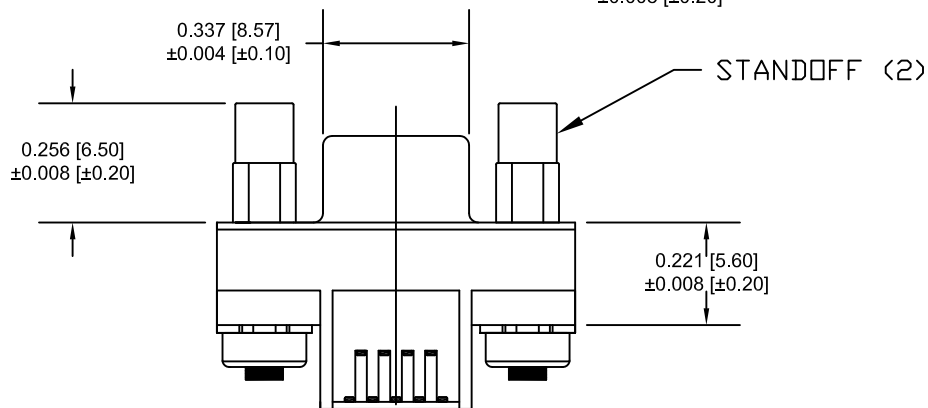
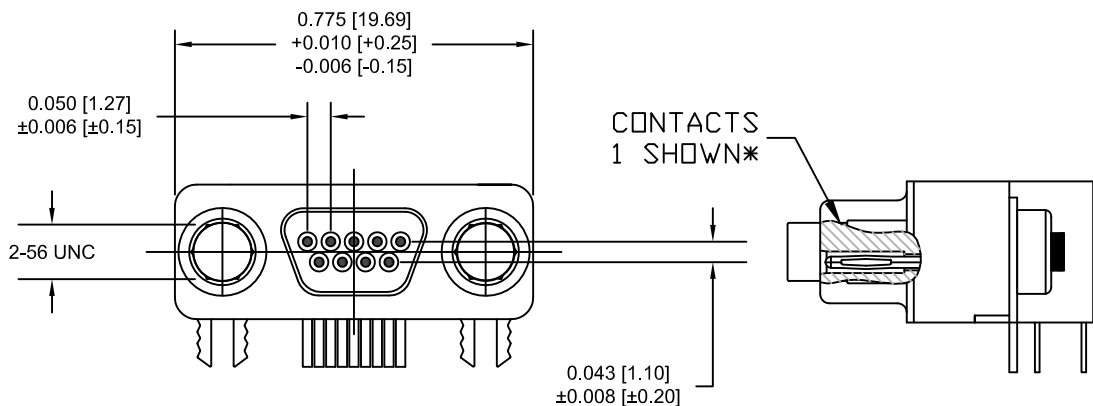


DESCRIPTION: MICRO D-SUB CONNECTOR - MALE - RIGHT ANGLE



ELECTRICAL

CONTACT CURRENT RATING: 1 AMP  
 DIELECTRIC WITHSTANDING VOLTAGE: 500 VAC  
 INSULATION RESISTANCE: 1000 MOhms  
 CONTACT RESISTANCE: 45 MILLI Ohms MAX.  
 OPERATING TEMPERATURE: -55°C TO +85°C

MATERIALS

CONTACTS: COPPER ALLOY  
 INSULATOR: THERMOPLASTIC 94V-0  
 SHELL: COLD ROLLER STEEL

FINISHES

CONTACT: 15 μ" MIN. GOLD ON MATING END  
 TIN ON TERMINATION END  
 ALL UNDERPLATING NICKEL  
 SHELL: BRIGHT TIN OVER COPPER

HARDWARE

2-56 THREADED STANDOFF  
 2.5 IN-LBS TORQUE MAX.

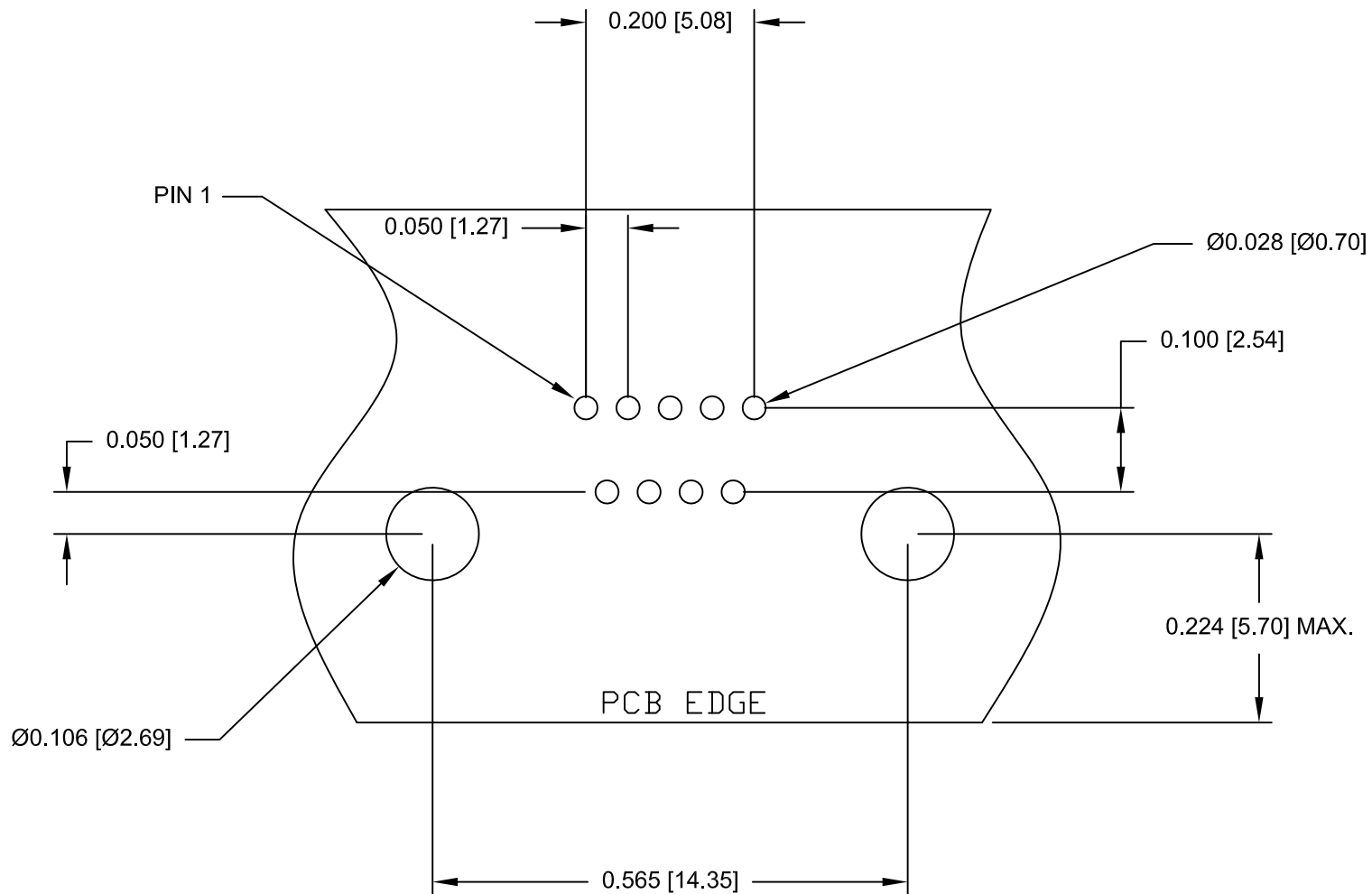
381-009-112L5Y5

SERIES ————  
 POSITIONS ————  
 GENDER ————  
     1 = MALE  
 TERMINATION ————  
     1 = DIP SOLDER  
     2 = TIN  
 SHELL PLATING ————  
 RoHS COMPLIANT ————  
 HARDWARE OPTIONS ————  
     1 = BOARDLOCKS ONLY  
     6 = STANDOFFS & BOARDLOCKS  
 PLATING OPTIONS ————  
     5 = 15u" GOLD PLATING

DO NOT SCALE FROM DRAWING


|                            |   |  |                     |                   |
|----------------------------|---|--|---------------------|-------------------|
|                            | THESE DRAWINGS AND SPECIFICATIONS ARE THE PROPERTY OF NorComp AND SHALL NOT BE REPRODUCED, COPIED OR USED AS THE BASIS FOR THE MANUFACTURE OF SALE OF APPARATUS WITHOUT WRITTEN PERMISSION. |  | DRAWN:<br>M. SIGMON | DATE:<br>08-18-11 |
|                            | NorComp   |  | SCALE:<br>NTS       | SHEET 1 OF 2      |
| DWG NO.<br>381-009-112L565 |   |  |                     |                   |

RoHS COMPLIANT



RECOMMENDED PC BOARD LAYOUT  
(9 POSITION ONLY) TOLERANCE ±0.002 [±0.05]

DO NOT SCALE FROM DRAWING

|  |   |  |                     |                   |
|--|---|--|---------------------|-------------------|
|  | THESE DRAWINGS AND SPECIFICATIONS ARE THE PROPERTY OF NorComp AND SHALL NOT BE REPRODUCED, COPIED OR USED AS THE BASIS FOR THE MANUFACTURE OF SALE OF APPARATUS WITHOUT WRITTEN PERMISSION. |  | DRAWN:<br>M. SIGMON | DATE:<br>08-18-11 |
|  | <h1>NorComp</h1>  |  | SCALE:<br>NTS       | SHEET 2 OF 2      |
| DWG NO. 381-009-112L565  |   |  |                     |                   |

RoHS COMPLIANT