



TE Internal #: 5380635-2

Pin Sockets, Socket Length .254 in [6.45 mm], Hole Size (Recommended) 2.26 mm [.089 in], None, Open Bottom, 25 – 19AWG Wire Size

[View on TE.com >](#)

Connectors > Socket Connectors > Pin Sockets



Socket Length: 6.45 mm [.254 in]

Hole Size (Recommended): 2.26 mm [.089 in]

Solder Process Feature: None

Socket Sleeve Style: Open Bottom

Wire Size: 25 – 19 AWG

Features

Product Type Features

Socket Sleeve Style	Open Bottom
Connector System	Cable-to-Board
Sealable	No
Connector & Contact Terminates To	Printed Circuit Board
Wire/Cable Type	Discrete Wire
Profile	Zero
Product Type	Contact

Body Features

Sleeve Material	Copper
Sleeve Plating Material	Tin

Contact Features

Contact Spring Plating Material	Gold
Contact Spring Plating Thickness	.762 μm[30 μin]
Contact Base Material	Beryllium Copper

Contact Current Rating (Max)	7.5 A
Socket Type	Discrete
Contact Transmits (Typical)	Signal (Data)/Power
Contact Mating Area Plating Thickness	30 μm [30 μin]
Contact Type	Socket

Termination Features

Insertion Method	Hand/Semi-Automatic
Termination Method to Printed Circuit Board	Through Hole - Press-Fit
Termination Method to Wire & Cable	Solder

Dimensions

Socket Length	6.45 mm[.254 in]
Hole Size (Recommended)	2.26 mm[.089 in]
Wire Size	.162 – .653 mm ²
Mating Pin Diameter Range	.46 – 1.02 mm[.018 – .04 in]
PCB Thickness (Recommended)	.79 – 3.18 mm[.031 – .125 in]

Usage Conditions

Operating Temperature Range	-65 – 126 °C[-85 – 258 °F]
-----------------------------	----------------------------

Operation/Application

Solder Process Feature	None
Circuit Application	Power & Signal

Packaging Features

Packaging Quantity	2000
Packaging Method	Bag, Loose Piece

Other

Spring Material	Beryllium Copper
-----------------	------------------

Product Compliance

[For compliance documentation, visit the product page on TE.com>](#)

EU RoHS Directive 2011/65/EU	Compliant
EU ELV Directive 2000/53/EC	Compliant
China RoHS 2 Directive MIIT Order No 32, 2016	No Restricted Materials Above Threshold
EU REACH Regulation (EC) No. 1907/2006	



Current ECHA Candidate List: JAN 2021 (211)
 Candidate List Declared Against: JAN 2021 (211)
 Does not contain REACH SVHC

Halogen Content
 Low Halogen - Br, Cl, F, I < 900 ppm per homogenous material. Also BFR/CFR/PVC Free

Solder Process Capability
 Pin-in-Paste capable to 260°C

Product Compliance Disclaimer

This information is provided based on reasonable inquiry of our suppliers and represents our current actual knowledge based on the information they provided. This information is subject to change. The part numbers that TE has identified as EU RoHS compliant have a maximum concentration of 0.1% by weight in homogenous materials for lead, hexavalent chromium, mercury, PBB, PBDE, DBP, BBP, DEHP, DIBP, and 0.01% for cadmium, or qualify for an exemption to these limits as defined in the Annexes of Directive 2011/65/EU (RoHS2). Finished electrical and electronic equipment products will be CE marked as required by Directive 2011/65/EU. Components may not be CE marked. Additionally, the part numbers that TE has identified as EU ELV compliant have a maximum concentration of 0.1% by weight in homogenous materials for lead, hexavalent chromium, and mercury, and 0.01% for cadmium, or qualify for an exemption to these limits as defined in the Annexes of Directive 2000/53/EC (ELV). Regarding the REACH Regulation, the information TE provides on SVHC in articles for this part number is based on the latest European Chemicals Agency (ECHA) 'Guidance on requirements for substances in articles' posted at this URL: <https://echa.europa.eu/guidance-documents/guidance-on-reach>

Compatible Parts



TE Part # 5380635-5
 REUSABLE COMP RCPT TN SPR8CUP



TE Part # 380635-1
 RCR AU-SPR AU-CUP OE 018-040

Customers Also Bought



TE Part #1-1623782-9
 Wirewound Resistor: Vertical Mount



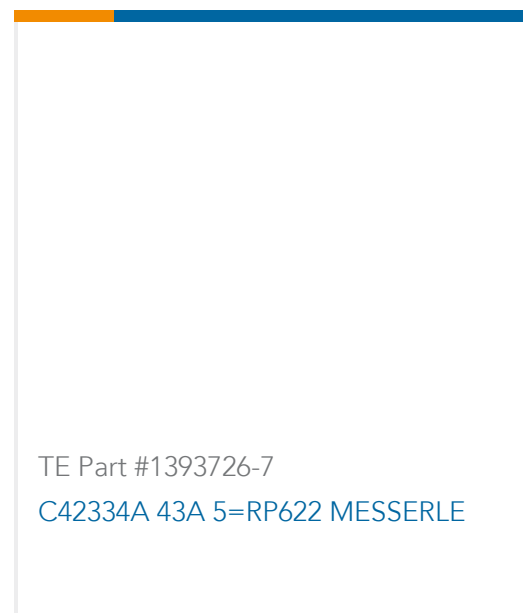
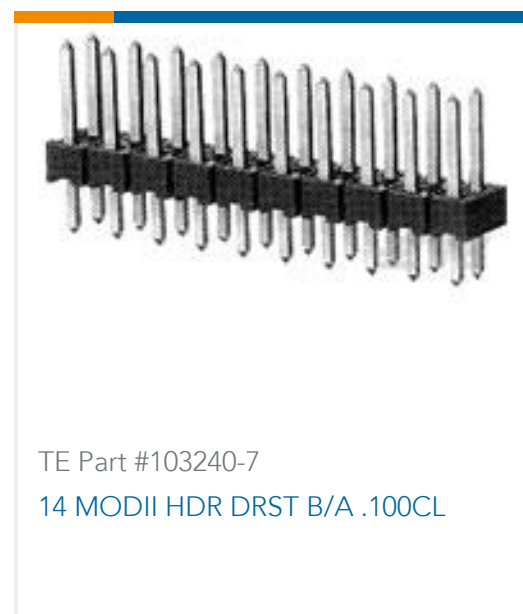
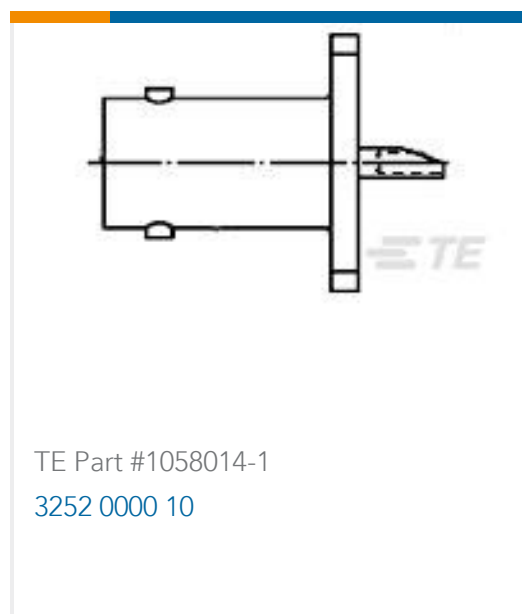
TE Part #1-2301994-2
 RJ45 JACK INT.MAG. 1GB LED 1X1



TE Part #1-5380758-1
 RCR AU-SPR SN-CUP 036-051



TE Part #1554901-1
 SHIELD FINGER 2011 EMBOSS PACKING



Documents

Product Drawings

[RCR AU-SPR SN-CUP OE 018-040](#)

English

CAD Files

[3D PDF](#)

3D

Customer View Model

[ENG_CVM_CVM_5380635-2_O.2d_dxf.zip](#)

English

Customer View Model

[ENG_CVM_CVM_5380635-2_O.3d_igs.zip](#)

English

Customer View Model

[ENG_CVM_CVM_5380635-2_O.3d_stp.zip](#)

English

By downloading the CAD file I accept and agree to the [Terms and Conditions](#) of use.

Product Specifications

[Application Specification](#)

English

[Reusable Receptacles For Component Testing](#)

English