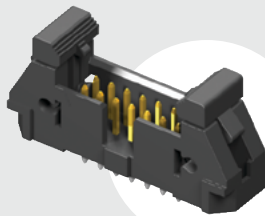
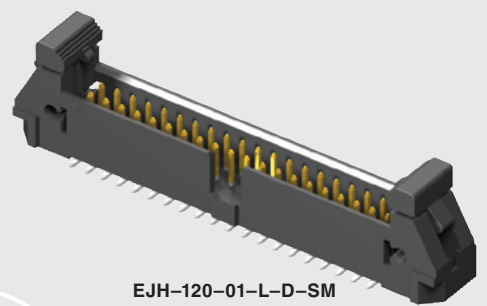


EJH-107-01-F-D-TH



EJH-120-01-L-D-SM



(2.54 mm) .100"

EJH SERIES

SHROUDED IDC EJECTOR HEADERS

SPECIFICATIONS

For complete specifications and recommended PCB layouts see www.samtec.com?EJH

Insulator Material:

- 01: Black LCP
- 02: Natural LCP

Terminal Material:
Phosphor Bronze

Plating:

Sn or Au over
50 μ" (1.27 μm) Ni

Operating Temp Range:
-55 °C to +125 °C

RoHS Compliant:
Yes

Mates with:

IDSD (EJH-01 Required),
HCSD (EJH-02 Required)

PROCESSING

Lead-Free Solderable:

Yes

SMT Lead Coplanarity:
(0.10 mm) .004" max

RECOGNITIONS

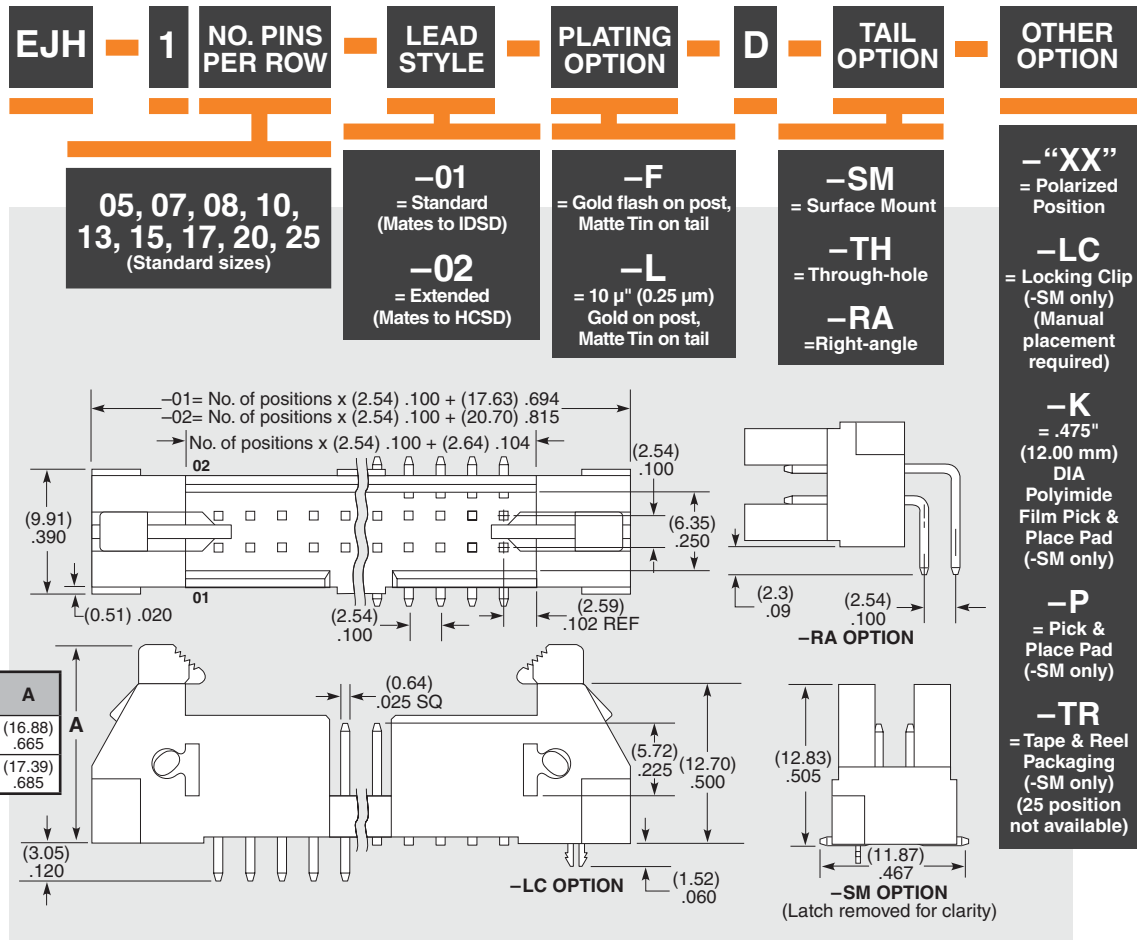
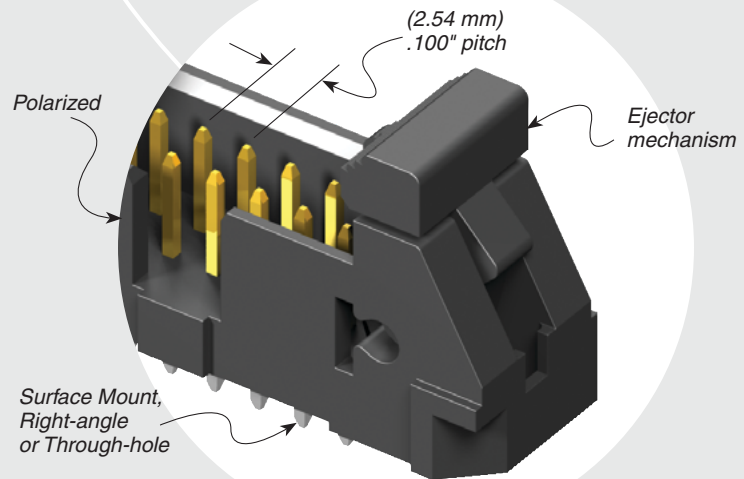
For complete scope of recognitions see www.samtec.com/quality



FILE NO. E111594

ALSO AVAILABLE (MOQ Required)

- Other sizes
- Other platings



Note: Some lengths, styles and options are non-standard, non-returnable.

Due to technical progress, all designs, specifications and components are subject to change without notice.

WWW.SAMTEC.COM

All parts within this catalog are built to Samtec's specifications.

Customer specific requirements must be approved by Samtec and identified in a Samtec customer-specific drawing to apply.

Mouser Electronics

Authorized Distributor

Click to View Pricing, Inventory, Delivery & Lifecycle Information:

Samtec:

[EJH-105-01-F-D-TH](#) [EJH-108-01-F-D-SM-LC](#) [EJH-113-01-F-D-TH](#) [EJH-105-01-S-D-TH](#) [EJH-110-01-F-D-TH](#) [EJH-105-01-F-D-RA](#) [EJH-110-01-S-D-TH](#) [EJH-108-01-F-D-TH](#) [EJH-120-01-F-D-TH](#) [EJH-113-01-S-D-TH](#) [EJH-125-01-F-D-TH](#) [EJH-120-01-F-D-SM](#) [EJH-107-01-S-D-TH](#) [EJH-113-01-F-D-SM-LC](#) [EJH-113-01-F-D-RA](#) [EJH-105-01-F-D-SM](#) [EJH-105-01-F-D-SM-LC](#) [EJH-115-01-S-D-TH](#) [EJH-105-02-F-D-SM](#) [EJH-117-01-F-D-TH](#) [EJH-105-01-F-D-TH-01](#) [EJH-120-01-S-D-TH](#) [EJH-125-01-FM-D-SM](#) [EJH-120-02-F-D-RA](#) [EJH-110-01-FM-D-SM](#) [EJH-109-01-S-D-TH](#) [EJH-105-01-L-D-RA](#) [EJH-107-01-S-D-SM-LC-06](#) [EJH-108-01-S-D-SM-K-TR](#) [EJH-108-01-S-D-SM-LC-P](#) [EJH-108-01-S-D-SM-TR](#) [EJH-110-01-S-D-SM-TR](#) [EJH-113-01-S-D-SM](#) [EJH-120-01-F-D-RA-40](#) [EJH-113-01-L-D-TH](#) [EJH-117-01-S-D-TH](#) [EJH-120-01-S-D-SM-P](#) [EJH-125-01-FM-D-SM-LC](#) [EJH-105-01-FM-D-TH](#) [EJH-107-01-SM-D-TH](#) [EJH-108-01-F-D-SM](#) [EJH-108-01-S-D-SM](#) [EJH-108-01-SM-D-SM](#) [EJH-110-01-F-D-SM-TR](#) [EJH-110-01-S-D-SM-P-TR](#) [EJH-113-01-SM-D-RA](#) [EJH-125-01-FM-D-TH](#) [EJH-125-01-L-D-TH](#) [EJH-125-01-SM-D-TH](#) [EJH-105-01-FM-D-SM](#) [EJH-105-01-S-D-SM-TR](#) [EJH-108-01-L-D-TH](#) [EJH-105-01-F-D-SM-TR](#) [EJH-110-01-FM-D-TH](#) [EJH-113-01-F-D-SM-K-TR](#) [EJH-113-01-SM-D-SM-LC](#) [EJH-120-01-SM-D-RA](#) [EJH-105-01-S-D-SM-LC-K](#) [EJH-113-01-F-D-SM](#) [EJH-120-01-F-D-RA](#) [EJH-120-01-L-D-TH](#) [EJH-120-01-S-D-SM-LC-P](#) [EJH-120-01-SM-D-SM-LC](#) [EJH-120-01-SM-D-TH](#) [EJH-107-01-S-D-RA](#) [EJH-110-01-S-D-SM-K](#) [EJH-113-01-S-D-SM-LC-P](#) [EJH-117-01-L-D-RA](#) [EJH-120-01-S-D-SM-34](#) [EJH-120-01-SM-D-SM-LC-P](#) [EJH-125-01-L-D-RA](#) [EJH-105-01-S-D-SM-10](#) [EJH-107-01-S-D-SM-P](#) [EJH-107-01-S-D-SM-P-TR](#) [EJH-110-01-S-D-TH-09](#) [EJH-110-01-SM-D-SM](#) [EJH-110-01-SM-D-SM-LC](#) [EJH-120-01-FM-D-TH](#) [EJH-120-01-L-D-RA](#) [EJH-125-01-F-D-SM-P](#) [EJH-105-01-SM-D-RA](#) [EJH-107-01-L-D-TH](#) [EJH-107-01-S-D-SM-14](#) [EJH-108-01-FM-D-SM-K-TR](#) [EJH-110-01-S-D-SM-K-TR](#) [EJH-112-01-L-D-TH](#) [EJH-113-01-FM-D-SM-K-TR](#) [EJH-113-01-L-D-RA](#) [EJH-113-01-S-D-SM-P-TR](#) [EJH-117-01-L-D-TH](#) [EJH-105-01-S-D-TH-09](#) [EJH-108-01-L-D-RA](#) [EJH-110-01-F-D-TH-01](#) [EJH-110-01-S-D-SM-P](#) [EJH-113-01-FM-D-TH](#) [EJH-105-01-SM-D-SM-LC](#) [EJH-108-01-F-D-SM-P](#) [EJH-108-01-F-D-TH-01](#) [EJH-110-01-FM-D-SM-LC](#) [EJH-110-01-L-D-RA](#)