

### Description

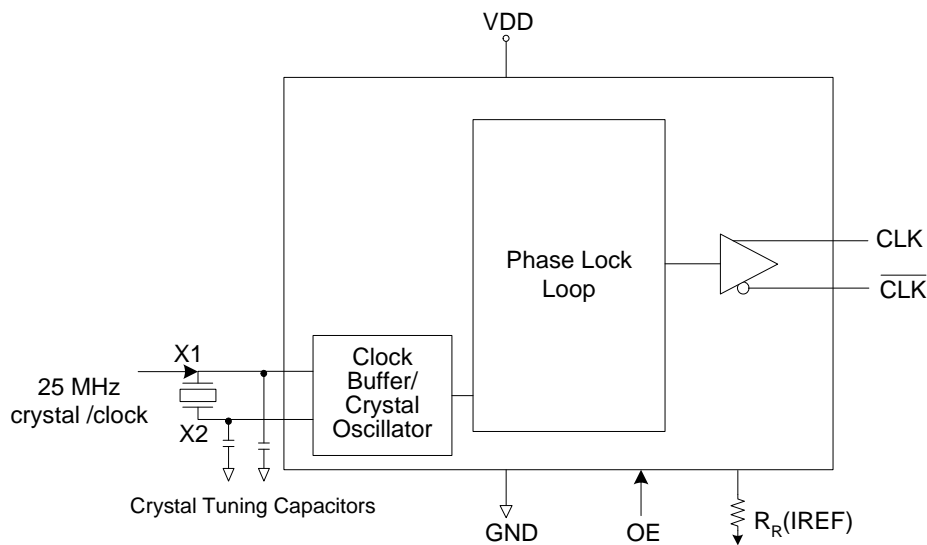
The ICS557-01 is a clock chip designed for use in PCI-Express Cards as a clock source. It provides a pair of differential outputs at 100 MHz in a small 8-pin SOIC package.

Using IDT's patented Phase-Locked Loop (PLL) techniques, the device takes a 25 MHz crystal input and produces HCSL (Host Clock Signal Level) differential outputs at 100 MHz clock frequency. LVDS signal levels can also be supported via an alternative termination scheme.

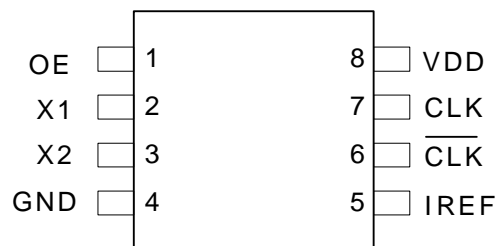
### Features

- Supports PCI-Express™ HCSL Outputs 0.7 V current mode differential pair
- Supports LVDS Output Levels
- Packaged in 8-pin SOIC
- RoHS 5 (green) or RoHS 6 (green and lead free) compliant packaging
- Operating voltage of 3.3 V
- Low power consumption
- Input frequency of 25 MHz
- Short term jitter 100 ps (peak-to-peak)
- Output Enable via pin selection
- Industrial temperature range available
- **For PCIe Gen2 applications, see the 5V41064**
- **For PCIe Gen3 applications, see the 5V41234**

### Block Diagram



## Pin Assignment



8 Pin (150 mil) SOIC

## Pin Descriptions

| Pin Number | Pin Name | Pin Type | Pin Description  |
|------------|----------|----------|--|
| 1          | OE       | Input    | Output Enable signal (H = outputs are enabled, L = outputs are disabled/tristated). Internal pull-up resistor. |
| 2          | X1       | Input    | Crystal or clock input. Connect to a 25 MHz crystal or single ended clock.                                     |
| 3          | X2       | XO       | Crystal Connection. Connect to a parallel mode crystal. Leave floating if clock input.                         |
| 4          | GND      | Power    | Connect to ground.   |
| 5          | IREF     | Output   | A 475Ω precision resistor connected between this pin and ground establishes the external reference current.    |
| 6          | CLK      | Output   | HCSL differential complementary clock output.  |
| 7          | CLK      | Output   | HCSL differential clock output.  |
| 8          | VDD      | Power    | Connect to +3.3 V.   |

## Applications Information

### External Components

A minimum number of external components are required for proper operation.

### Decoupling Capacitors

Decoupling capacitors of 0.01  $\mu\text{F}$  should be connected between VDD and the ground plane (pin 4) as close to the VDD pin as possible. Do not share ground vias between components. Route power from power source through the capacitor pad and then into IDT pin.

### Crystal

A 25 MHz fundamental mode parallel resonant crystal with  $C_L = 16$  pF should be used. This crystal must have less than 300 ppm of error across temperature in order for the ICS557-01 to meet PCI Express specifications.

### Crystal Capacitors

Crystal capacitors are connected from pins X1 to ground and X2 to ground to optimize the accuracy of the output frequency.

$C_L$  = Crystal's load capacitance in pF

Crystal Capacitors (pF) =  $(C_L - 8) * 2$

For example, for a crystal with a 16 pF load cap, each external crystal cap would be 16 pF.  $(16-8)*2=16$ .

Current Source (Iref) Reference Resistor -  $R_R$

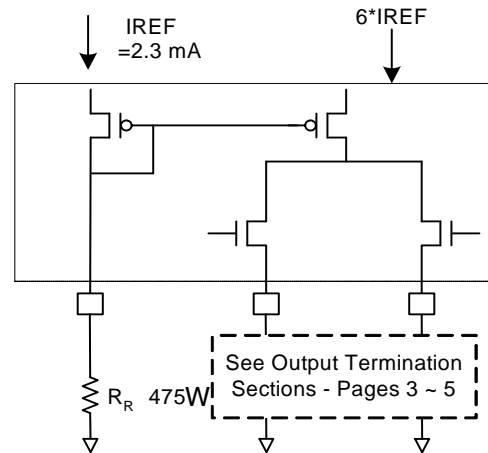
If board target trace impedance (Z) is 50 $\Omega$ , then  $R_R = 475\Omega$  (1%), providing IREF of 2.32 mA. The output current ( $I_{OH}$ ) is equal to 6\*IREF.

### Output Termination

The PCI-Express differential clock outputs of the ICS557-01 are open source drivers and require an external series resistor and a resistor to ground. These resistor values and their allowable locations are shown in detail in the **PCI-Express Layout Guidelines** section.

The ICS557-01 can also be configured for LVDS compatible voltage levels. See the LVDS Compatible Layout Guidelines section

## Output Structures



## General PCB Layout Recommendations

For optimum device performance and lowest output phase noise, the following guidelines should be observed.

1. Each 0.01 $\mu\text{F}$  decoupling capacitor should be mounted on the component side of the board as close to the VDD pin as possible.
2. No vias should be used between decoupling capacitor and VDD pin.
3. The PCB trace to VDD pin should be kept as short as possible, as should the PCB trace to the ground via. Distance of the ferrite bead and bulk decoupling from the device is less critical.
4. An optimum layout is one with all components on the same side of the board, minimizing vias through other signal layers (any ferrite beads and bulk decoupling capacitors can be mounted on the back). Other signal traces should be routed away from the ICS557-01. This includes signal traces just underneath the device, or on layers adjacent to the ground plane layer used by the device.

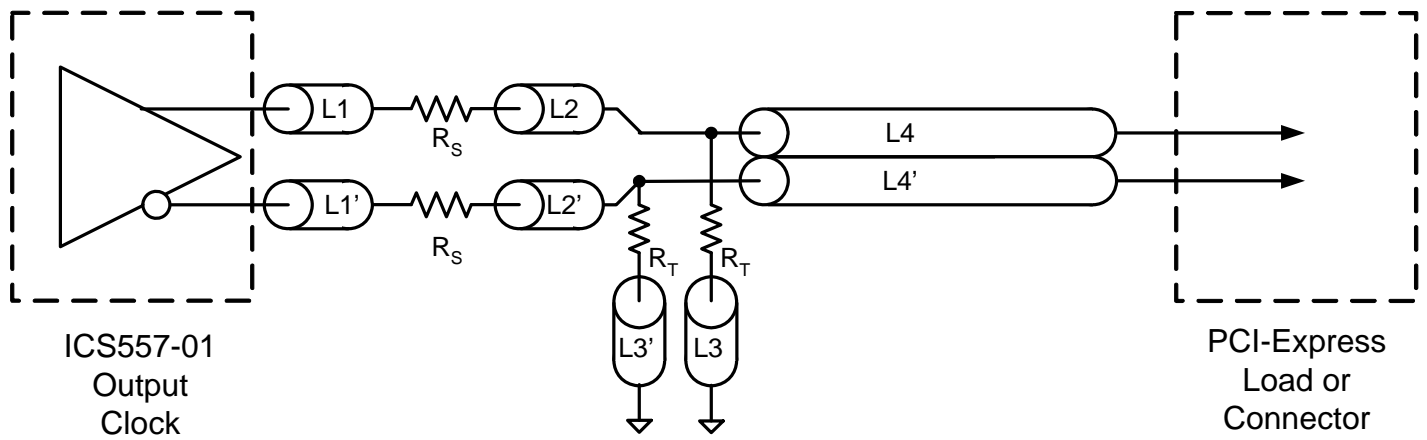
## PCI-Express Layout Guidelines

| Common Recommendations for Differential Routing | Dimension or Value | Unit | Figure | Notes |
|---|--------------------|------|--------|-------|
| L1 length, Route as non-coupled 50 ohm trace.   | 0.5 max            | inch | 1,2    |       |
| L2 length, Route as non-coupled 50 ohm trace.   | 0.2 max            | inch | 1,2    |       |
| L3 length, Route as non-coupled 50 ohm trace.   | 0.2 max            | inch | 1,2    |       |
| $R_S$   | 33                 | ohm  | 1,2    |       |
| $R_T$   | 49.9               | ohm  | 1,2    |       |

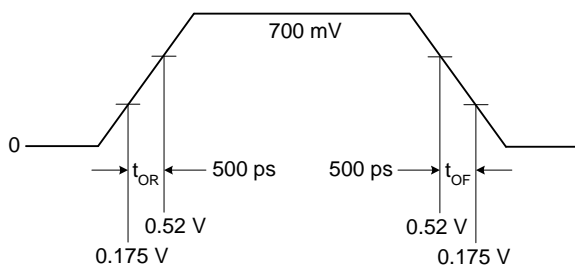
| Differential Routing on a Single PCB                                      | Dimension or Value  | Unit | Figure | Notes |
|---|---------------------|------|--------|-------|
| L4 length, Route as coupled <b>microstrip</b> 100 ohm differential trace. | 2 min to 16 max     | inch | 1      |       |
| L4 length, Route as coupled <b>stripline</b> 100 ohm differential trace.  | 1.8 min to 14.4 max | inch | 1      |       |

| Differential Routing to a PCI Express Connector                           | Dimension or Value    | Unit | Figure | Notes |
|---|-----------------------|------|--------|-------|
| L4 length, Route as coupled <b>microstrip</b> 100 ohm differential trace. | 0.25 to 14 max        | inch | 2      |       |
| L4 length, Route as coupled <b>stripline</b> 100 ohm differential trace.  | 0.225 min to 12.6 max | inch | 2      |       |

Figure 1: PCI-Express Device Routing



## Typical PCI-Express (HCSL) Waveform



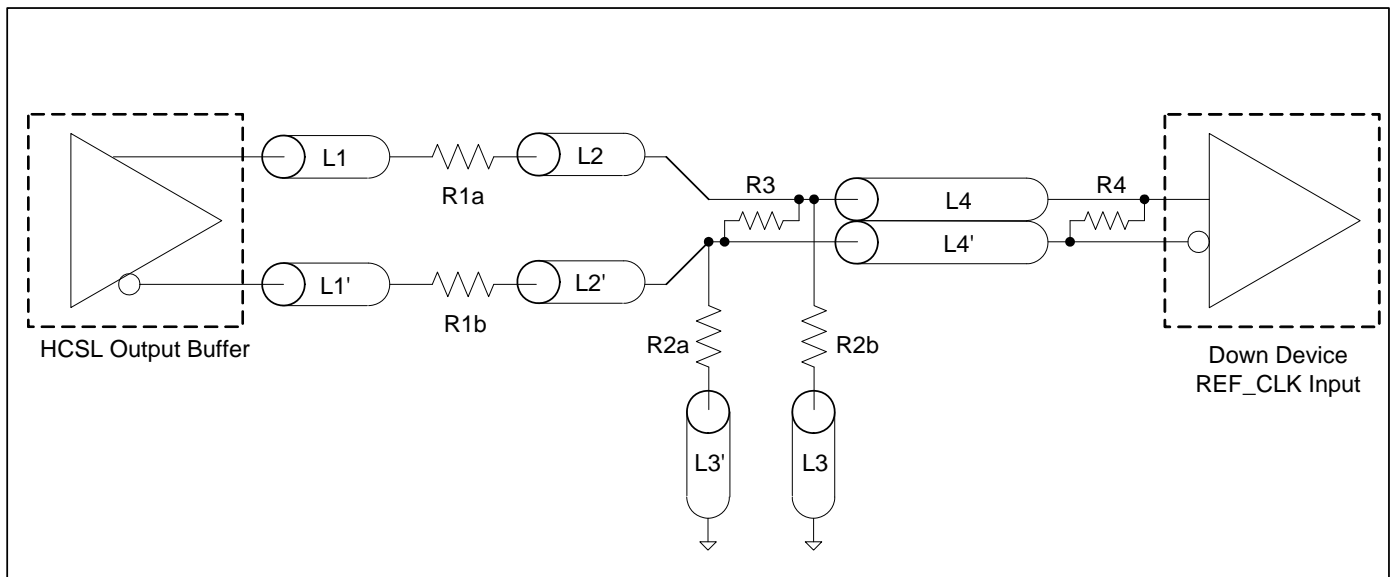
## LVDS Compatible Layout Guidelines

| Alternative Termination for LVDS and other Common Differential Signals |                  |                 |    |      |      |     |                                |
|--|------------------|-----------------|----|------|------|-----|--------------------------------|
| V <sub>diff</sub>  | V <sub>p-p</sub> | V <sub>cm</sub> | R1 | R2   | R3   | R4  | Note                           |
| 0.45v  | 0.22v            | 1.08            | 33 | 150  | 100  | 100 |                                |
| 0.58   | 0.28             | 0.6             | 33 | 78.7 | 137  | 100 |                                |
| 0.80   | 0.40             | 0.6             | 33 | 78.7 | none | 100 | ICS874003i-02 input compatible |
| 0.60   | 0.3              | 1.2             | 33 | 174  | 140  | 100 | Standard LVDS                  |

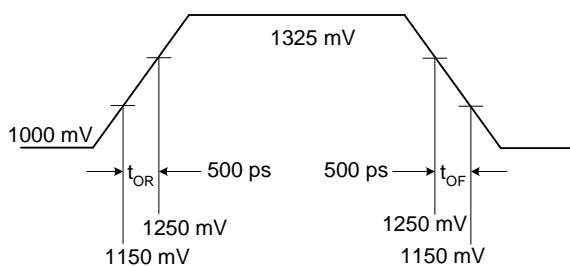
R1a = R1b = R1

R2a = R2b = R2

Figure: LVDS Device Routing



## Typical LVDS Waveform



## Absolute Maximum Ratings

Stresses above the ratings listed below can cause permanent damage to the ICS557-01. These ratings are stress ratings only. Functional operation of the device at these or any other conditions above those indicated in the operational sections of the specifications is not implied. Exposure to absolute maximum rating conditions for extended periods can affect product reliability. Electrical parameters are guaranteed only over the recommended operating temperature range.

| Item                                       | Rating              |
|--|---------------------|
| Supply Voltage, VDD, VDDA                  | 5.5 V               |
| All Inputs and Outputs                     | -0.5 V to VDD+0.5 V |
| Ambient Operating Temperature (commercial) | 0 to +70° C         |
| Ambient Operating Temperature (industrial) | -40 to +85° C       |
| Storage Temperature                        | -65 to +150° C      |
| Junction Temperature                       | 125° C              |
| Soldering Temperature                      | 260° C              |
| ESD Protection (Input)                     | 2000 V min. (HBM)   |

## DC Electrical Characteristics

Unless stated otherwise, VDD = 3.3 V ±5%, Ambient Temperature -40 to +85° C

| Parameter                          | Symbol            | Conditions                | Min.    | Typ. | Max.     | Units |
|------------------------------------|-------------------|---------------------------|---------|------|----------|-------|
| Supply Voltage                     | V                 |                           | 3.135   |      | 3.465    |       |
| Input High Voltage <sup>1</sup>    | V <sub>IH</sub>   |                           | 2.0     |      | VDD +0.3 | V     |
| Input Low Voltage <sup>1</sup>     | V <sub>IL</sub>   |                           | VSS-0.3 |      | 0.8      | V     |
| Input Leakage Current <sup>2</sup> | I <sub>IL</sub>   | 0 < V <sub>in</sub> < VDD | -5      |      | 5        | μA    |
| Operating Supply Current           | I <sub>DD</sub>   | With 50Ω and 2 pF load    |         |      | 55       | mA    |
|                                    | I <sub>DDOE</sub> | OE =Low                   |         |      | 35       | mA    |
| Input Capacitance                  | C <sub>IN</sub>   | Input pin capacitance     |         |      | 7        | pF    |
| Output Capacitance                 | C <sub>OUT</sub>  | Output pin capacitance    |         |      | 6        | pF    |
| Pin Inductance                     | L <sub>PIN</sub>  |                           |         |      | 5        | nH    |
| Output Resistance                  | R <sub>out</sub>  | CLK outputs               | 3.0     |      |          | kΩ    |
| Pull-up Resistor                   | R <sub>PUP</sub>  | OE                        |         | 60   |          | kΩ    |

1 Single edge is monotonic when transitioning through region.

2 Inputs with pull-ups/-downs are not included.

## AC Electrical Characteristics - CLK/CLK

Unless stated otherwise, VDD=3.3 V ±5%, Ambient Temperature -40 to +85° C

| Parameter                               | Symbol              | Conditions               | Min. | Typ. | Max. | Units |
|---|---------------------|--------------------------|------|------|------|-------|
| Input Frequency                         |                     |                          |      | 25   |      | MHz   |
| Output Frequency                        |                     |                          |      | 100  |      | MHz   |
| Output High Voltage <sup>1,2</sup>      | V <sub>OH</sub>     |                          | 660  | 700  | 850  | mV    |
| Output Low Voltage <sup>1,2</sup>       | V <sub>OL</sub>     |                          | -150 | 0    | 27   | mV    |
| Crossing Point Voltage <sup>1,2</sup>   |                     | Absolute                 | 250  | 350  | 550  | mV    |
| Crossing Point Voltage <sup>1,2,4</sup> |                     | Variation over all edges |      |      | 140  | mV    |
| Jitter, Cycle-to-Cycle <sup>1,3</sup>   |                     |                          |      |      | 80   | ps    |
| Rise Time <sup>1,2</sup>                | t <sub>OR</sub>     | From 0.175 V to 0.525 V  | 175  | 332  | 700  | ps    |
| Fall Time <sup>1,2</sup>                | t <sub>OF</sub>     | From 0.525 V to 0.175 V  | 175  | 344  | 700  | ps    |
| Rise/Fall Time Variation <sup>1,2</sup> |                     |                          |      |      | 125  | ps    |
| Duty Cycle <sup>1,3</sup>               |                     |                          | 45   |      | 55   | %     |
| Output Enable Time <sup>5</sup>         |                     | All outputs              |      | 30   |      | µs    |
| Output Disable Time <sup>5</sup>        |                     | All outputs              |      | 30   |      | µs    |
| Stabilization Time                      | t <sub>STABLE</sub> | From power-up VDD=3.3 V  |      | 3.0  |      | ms    |

<sup>1</sup> Test setup is R<sub>L</sub>=50 ohms with 2 pF, R<sub>R</sub> = 475Ω (1%).

<sup>2</sup> Measurement taken from a single-ended waveform.

<sup>3</sup> Measurement taken from a differential waveform.

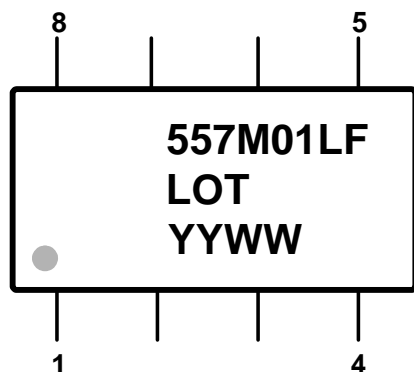
<sup>4</sup> Measured at the crossing point where instantaneous voltages of both CLKOUT and  $\overline{\text{CLKOUT}}$  are equal.

<sup>5</sup> CLKOUT pins are tri-stated when OE is low asserted. CLKOUT is driven differential when OE is high.

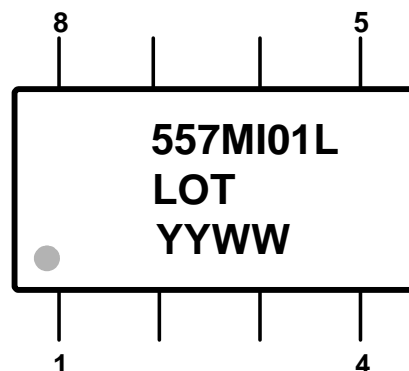
## Thermal Characteristics (8-pin SOIC)

| Parameter                              | Symbol          | Conditions     | Min. | Typ. | Max. | Units |
|--|-----------------|----------------|------|------|------|-------|
| Thermal Resistance Junction to Ambient | θ <sub>JA</sub> | Still air      |      | 150  |      | °C/W  |
|  | θ <sub>JA</sub> | 1 m/s air flow |      | 140  |      | °C/W  |
|  | θ <sub>JA</sub> | 3 m/s air flow |      | 120  |      | °C/W  |
| Thermal Resistance Junction to Case    | θ <sub>JC</sub> |                |      | 40   |      | °C/W  |

## Marking Diagram (ICS557M-01LF)



## Marking Diagram (ICS557MI-01LF)



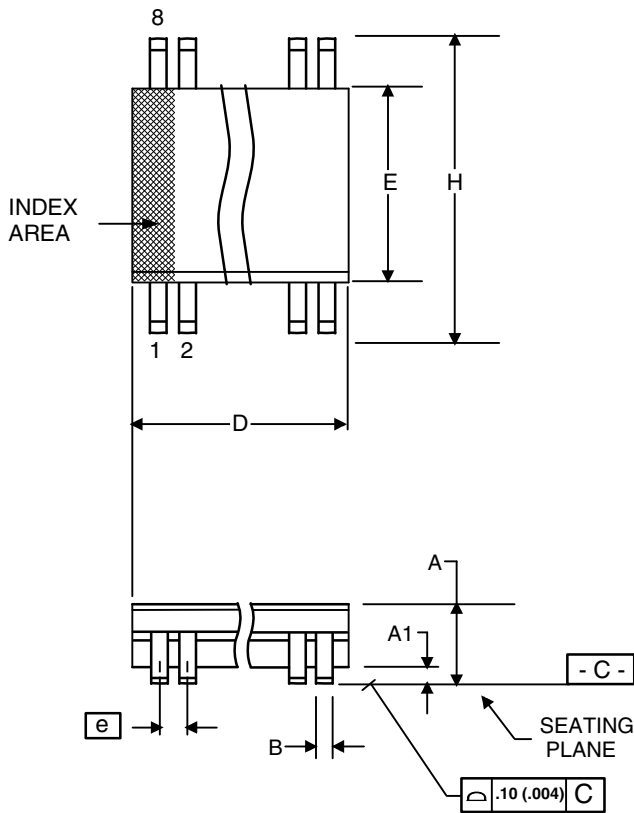
## Notes:

1. "LOT" is the lot code.
2. YYWW is the last two digits of the year, and the week number that the part was assembled.
3. "L" or "LF" designates Pb (lead) free packaging.
4. "I" denotes industrial temperature.
5. Bottom marking: (origin). Origin = country of origin if not USA.



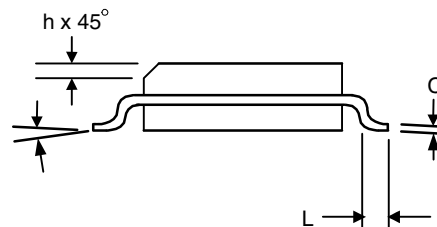
## Package Outline and Package Dimensions (8-pin SOIC, 150 Mil. Narrow Body)

Package dimensions are kept current with JEDEC Publication No. 95



| Symbol | Millimeters |      | Inches*     |       |
|--------|-------------|------|-------------|-------|
|        | Min         | Max  | Min         | Max   |
| A      | 1.35        | 1.75 | .0532       | .0688 |
| A1     | 0.10        | 0.25 | .0040       | .0098 |
| B      | 0.33        | 0.51 | .013        | .020  |
| C      | 0.19        | 0.25 | .0075       | .0098 |
| D      | 4.80        | 5.00 | .1890       | .1968 |
| E      | 3.80        | 4.00 | .1497       | .1574 |
| e      | 1.27 BASIC  |      | 0.050 BASIC |       |
| H      | 5.80        | 6.20 | .2284       | .2440 |
| h      | 0.25        | 0.50 | .010        | .020  |
| L      | 0.40        | 1.27 | .016        | .050  |
| a      | 0°          | 8°   | 0°          | 8°    |

\*For reference only. Controlling dimensions in mm.



## Ordering Information

| Part / Order Number | Marking    | Shipping Packaging | Package    | Temperature   |
|---------------------|------------|--------------------|------------|---------------|
| 557M-01LF           | See Page 8 | Tubes              | 8-pin SOIC | 0 to +70° C   |
| 557M-01LFT          |            | Tape and Reel      | 8-pin SOIC | 0 to +70° C   |
| 557MI-01LF          |            | Tubes              | 8-pin SOIC | -40 to +85° C |
| 557MI-01LFT         |            | Tape and Reel      | 8-pin SOIC | -40 to +85° C |

"LF" suffix to the part number are the Pb-Free configuration and are RoHS compliant.

While the information presented herein has been checked for both accuracy and reliability, Integrated Device Technology (IDT) assumes no responsibility for either its use or for the infringement of any patents or other rights of third parties, which would result from its use. No other circuits, patents, or licenses are implied. This product is intended for use in normal commercial applications. Any other applications such as those requiring extended temperature range, high reliability, or other extraordinary environmental requirements are not recommended without additional processing by IDT. IDT reserves the right to change any circuitry or specifications without notice. IDT does not authorize or warrant any IDT product for use in life support devices or critical medical instruments.



## IMPORTANT NOTICE AND DISCLAIMER

RENESAS ELECTRONICS CORPORATION AND ITS SUBSIDIARIES (“RENESAS”) PROVIDES TECHNICAL SPECIFICATIONS AND RELIABILITY DATA (INCLUDING DATASHEETS), DESIGN RESOURCES (INCLUDING REFERENCE DESIGNS), APPLICATION OR OTHER DESIGN ADVICE, WEB TOOLS, SAFETY INFORMATION, AND OTHER RESOURCES “AS IS” AND WITH ALL FAULTS, AND DISCLAIMS ALL WARRANTIES, EXPRESS OR IMPLIED, INCLUDING, WITHOUT LIMITATION, ANY IMPLIED WARRANTIES OF MERCHANTABILITY, FITNESS FOR A PARTICULAR PURPOSE, OR NON-INFRINGEMENT OF THIRD PARTY INTELLECTUAL PROPERTY RIGHTS.

These resources are intended for developers skilled in the art designing with Renesas products. You are solely responsible for (1) selecting the appropriate products for your application, (2) designing, validating, and testing your application, and (3) ensuring your application meets applicable standards, and any other safety, security, or other requirements. These resources are subject to change without notice. Renesas grants you permission to use these resources only for development of an application that uses Renesas products. Other reproduction or use of these resources is strictly prohibited. No license is granted to any other Renesas intellectual property or to any third party intellectual property. Renesas disclaims responsibility for, and you will fully indemnify Renesas and its representatives against, any claims, damages, costs, losses, or liabilities arising out of your use of these resources. Renesas' products are provided only subject to Renesas' Terms and Conditions of Sale or other applicable terms agreed to in writing. No use of any Renesas resources expands or otherwise alters any applicable warranties or warranty disclaimers for these products.

(Rev.1.0 Mar 2020)

### Corporate Headquarters

TOYOSU FORESIA, 3-2-24 Toyosu,  
Koto-ku, Tokyo 135-0061, Japan  
[www.renesas.com](http://www.renesas.com)

### Contact Information

For further information on a product, technology, the most up-to-date version of a document, or your nearest sales office, please visit:  
[www.renesas.com/contact/](http://www.renesas.com/contact/)

### Trademarks

Renesas and the Renesas logo are trademarks of Renesas Electronics Corporation. All trademarks and registered trademarks are the property of their respective owners.

# Mouser Electronics

Authorized Distributor

Click to View Pricing, Inventory, Delivery & Lifecycle Information:

[Renesas Electronics:](#)

[557M-01LFT](#) [557MI-01LF](#) [557MI-01LFT](#) [557M-01LF](#)