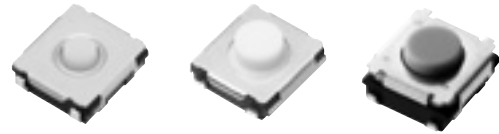


6 mm Square Thin Type SMD Light Touch Switches 6mm Square Middle Travel SMD Light Touch Switch

Type: **EVQP0**
EVQQ2
EVPBF



■ Features

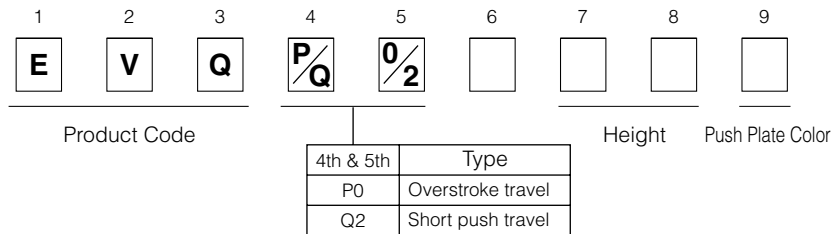
- External dimensions : 6.5 mm×6.0 mm, Height 1.8 mm (Excluding the push plate)
- External dimensions : 6.0 mm×6.0 mm, Height 2.5 mm (Excluding the push plate, Middle Travel)
- With or without ground terminal, height, operating force
- Overstroke travel
- Middlestroke travel type

■ Recommended Applications

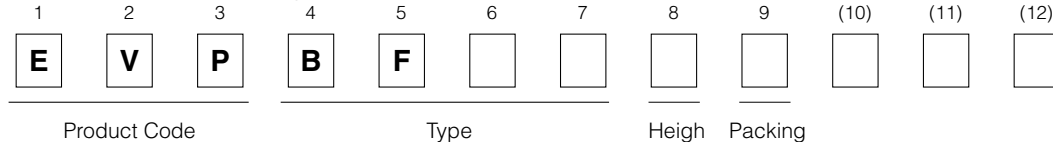
- Operating switches for other electronic equipment
- Operation switches for PC mouse
- Car audio systems
- Game

■ Explanation of Part Numbers

6 mm Square Thin Type SMD Light Touch Switches



6mm Square Middle Travel SMD Light Touch Switch



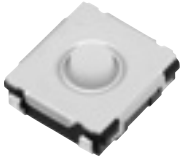
■ Specifications

Travel Type		Short Push Travel	Overstroke Travel	Middlestroke Travel
Type		Snap action/Push-on type SPST		
Electrical	Rating	10 μ A 2 Vdc to 20 mA 15 Vdc (Resistive load)		
	Contact Resistance	100 m Ω max.		500 m Ω max.
	Insulation Resistance	100 M Ω min. (at 100 Vdc)		
	Dielectric Withstanding Voltage	250 Vac for 1 minute		
	Bouncing	10 ms max. (ON, OFF)		
Mechanical	Operating Force	0.5 N, 1.0 N, 1.3 N, 1.6 N, 2.6 N, 3.5 N	0.6 N, 1.0 N	2.0 N
	Travel	0.25 mm (0.2 mm : 0.5N, 1.0N)	0.3 mm	0.25 mm
Endurance	Operating Life	0.5 N : 2000000 cycles min. 1.0 N, 1.3 N, 1.6 N : 1000000 cycles min. 2.6 N : 200000 cycles min. 3.5 N : 100000 cycles min.	0.6 N : 2000000 cycles min. 1.0 N : 1000000 cycles min.	1000000 cycles min.
Operating Temperature		-40 °C to +85 °C		
Storage Temperature		-40 °C to +85 °C (Bulk) -20 °C to +60 °C (Taping)		
Minimum Quantity/Packing Unit		H=2.0 mm 4000 pcs. Embossed Taping (Reel Pack)	H=3.5mm 3000 pcs. Embossed Taping (Reel Pack)	
		H=2.5 mm, 3.1 mm 2000 pcs. Embossed Taping (Reel Pack)		
Quantity/Carton		H=2.0 mm 20000 pcs.	15000 pcs.	
		H=2.5 mm, 3.1 mm 10000 pcs.		

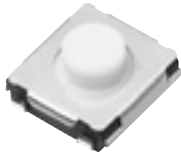
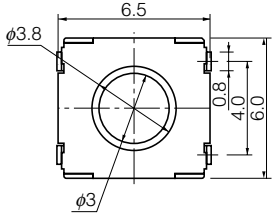
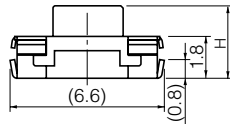
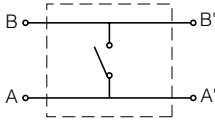
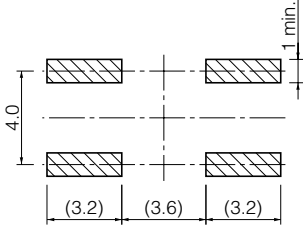
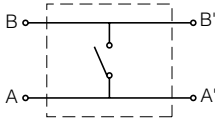
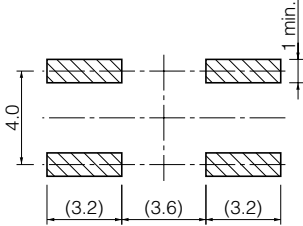
Note: Non washable

Design and specifications are each subject to change without notice. Ask factory for the current technical specifications before purchase and/or use. Should a safety concern arise regarding this product, please be sure to contact us immediately.

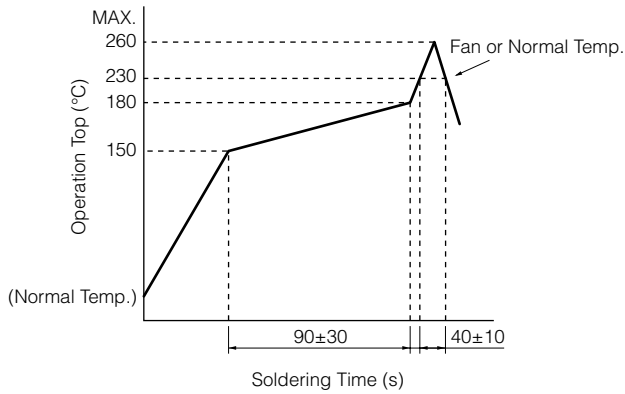
■ Dimensions in mm (not to scale)

<p>No. 1</p> <p>EVQP0</p> <p>Overstroke travel : 0.3 mm With J-bent terminals</p> 	<p>(General dimension tolerance : ± 0.2) () dimensions are reference dimensions.</p> <p style="text-align: center;">Circuit Diagram</p> <p style="text-align: center;">PWB land pattern for reference</p>				
Part Numbers	Operating Force	Height	Push Plate Color	Ground Terminal	Operating Life
EVQP0N02B	0.6 N	2.5 mm	Blue	Without	2000000 cycles
EVQP0P02B	0.6 N	2.5 mm	Blue	With	2000000 cycles
EVQP0Q02Q	1.0 N	2.5 mm	Gray	Without	1000000 cycles
EVQP0S02Q	1.0 N	2.5 mm	Gray	With	1000000 cycles

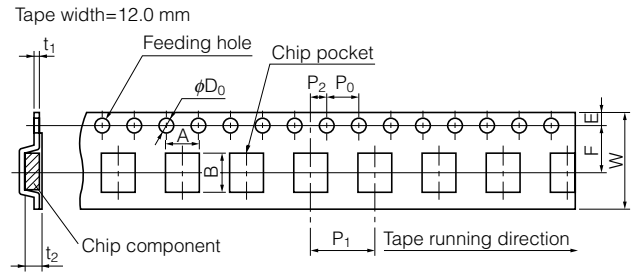
■ Dimensions in mm (not to scale)

No. 2						Height	
EVQQ2 Short travel 0.25 mm With J-bent terminals		(General dimension tolerance : ± 0.2) () dimensions are reference dimensions.				H 2.0±0.2 2.5±0.2 3.1±0.2	
							
							
Part Numbers	Operating Force	H=Height	Push Plate Color	Ground Terminal	Operating Life		
EVQQ2B01W	0.5 N	2.0 mm	White	Without	200000 cycles		
EVQQ2B02W	0.5 N	2.5 mm	White	Without	200000 cycles		
EVQQ2B03W	0.5 N	3.1 mm	White	Without	200000 cycles		
EVQQ2D01W	0.5 N	2.0 mm	White	With	200000 cycles		
EVQQ2D02W	0.5 N	2.5 mm	White	With	200000 cycles		
EVQQ2D03W	0.5 N	3.1 mm	White	With	200000 cycles		
EVQQ2F01W	1.0 N	2.0 mm	White	Without	100000 cycles		
EVQQ2F02W	1.0 N	2.5 mm	White	Without	100000 cycles		
EVQQ2F03W	1.0 N	3.1 mm	White	Without	100000 cycles		
EVQQ2H01W	1.0 N	2.0 mm	White	With	100000 cycles		
EVQQ2H02W	1.0 N	2.5 mm	White	With	100000 cycles		
EVQQ2H03W	1.0 N	3.1 mm	White	With	100000 cycles		
EVQQ2K01W	1.3 N	2.0 mm	White	Without	100000 cycles		
EVQQ2K02W	1.3 N	2.5 mm	White	Without	100000 cycles		
EVQQ2K03W	1.3 N	3.1 mm	White	Without	100000 cycles		
EVQQ2M01W	1.3 N	2.0 mm	White	With	100000 cycles		
EVQQ2M02W	1.3 N	2.5 mm	White	With	100000 cycles		
EVQQ2M03W	1.3 N	3.1 mm	White	With	100000 cycles		
EVQQ2P01W	1.6 N	2.0 mm	White	Without	100000 cycles		
EVQQ2P02W	1.6 N	2.5 mm	White	Without	100000 cycles		
EVQQ2P03W	1.6 N	3.1 mm	White	Without	100000 cycles		
EVQQ2S01W	1.6 N	2.0 mm	White	With	100000 cycles		
EVQQ2S02W	1.6 N	2.5 mm	White	With	100000 cycles		
EVQQ2S03W	1.6 N	3.1 mm	White	With	100000 cycles		
EVQQ2U01W	2.6 N	2.0 mm	White	Without	200000 cycles		
EVQQ2U02W	2.6 N	2.5 mm	White	Without	200000 cycles		
EVQQ2U03W	2.6 N	3.1 mm	White	Without	200000 cycles		
EVQQ2W01W	2.6 N	2.0 mm	White	With	200000 cycles		
EVQQ2W02W	2.6 N	2.5 mm	White	With	200000 cycles		
EVQQ2W03W	2.6 N	3.1 mm	White	With	200000 cycles		
EVQQ2Y01W	3.5 N	2.0 mm	White	Without	100000 cycles		
EVQQ2Y02W	3.5 N	2.5 mm	White	Without	100000 cycles		
EVQQ2Y03W	3.5 N	3.1 mm	White	Without	100000 cycles		
EVQQ2201W	3.5 N	2.0 mm	White	With	100000 cycles		
EVQQ2202W	3.5 N	2.5 mm	White	With	100000 cycles		
EVQQ2203W	3.5 N	3.1 mm	White	With	100000 cycles		

Recommended Reflow Soldering Conditions



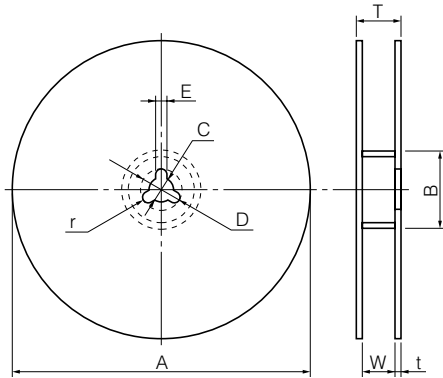
Embossed Carrier Taping



Unit: mm

Part No.	Height	A	B	W	F	E	P1	P2	P0	D0 Dia	t1	t2
EVQQ2	2.0	6.7±0.2	7.4±0.2	12.0±0.3	5.5±0.1	1.75±0.10	8.0±0.1	2.0±0.1	4.0±0.1	1.5 ^{+0.1}	0.30±0.05	2.2±0.2
	2.5/3.1											3.2±0.2
EVQP0	2.5											2.8±0.2
EVPBF	3.5											3.7±0.1

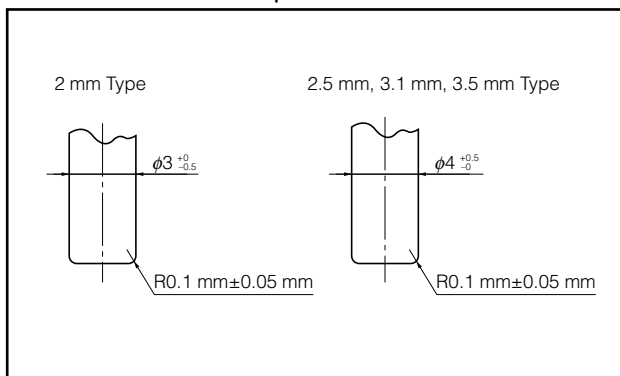
Standard Reel Dimensions in mm (not to scale)



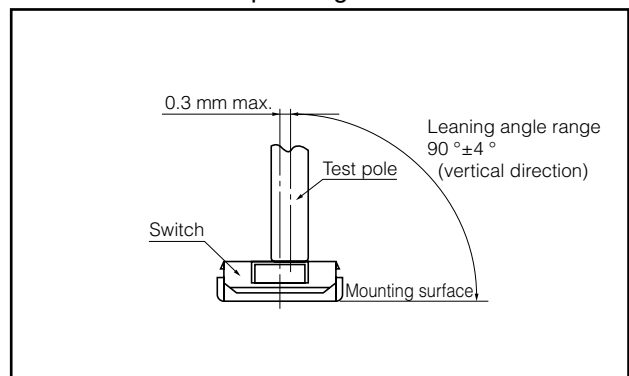
Item	A	B	C	D	E
Rate (mm)	φ380.0±2.0	φ80.0±1.0	φ13.0±0.5	φ21.0±1.0	2.0±0.5

Item	W	T	t	r
Rate (mm)	13.5±1.0	17.5±1.0	—	—

Recommended Shape of Test Pole



Recommended Operating Conditions



Mouser Electronics

Authorized Distributor

Click to View Pricing, Inventory, Delivery & Lifecycle Information:

Panasonic:

[EVQ-Q2F03W](#) [EVQ-Q2K03W](#) [EVQ-P0P02B](#) [EVQ-P0Q02Q](#) [EVQ-P0S02Q](#) [EVQ-Q2201W](#) [EVQ-Q2202W](#) [EVQ-Q2203W](#) [EVQ-Q2B01W](#) [EVQ-Q2B02W](#) [EVQ-Q2D01W](#) [EVQ-Q2D03W](#) [EVQ-Q2F01W](#) [EVQ-Q2F02W](#) [EVQ-Q2H01W](#) [EVQ-Q2H02W](#) [EVQ-Q2H03W](#) [EVQ-Q2K01W](#) [EVQ-Q2K02W](#) [EVQ-Q2M01W](#) [EVQ-Q2M02W](#) [EVQ-Q2M03W](#) [EVQ-Q2P01W](#) [EVQ-Q2S01W](#) [EVQ-Q2S02W](#) [EVQ-Q2S03W](#) [EVQ-Q2U01W](#) [EVQ-Q2U02W](#) [EVQ-Q2W01W](#) [EVQ-Q2W02W](#) [EVQ-Q2W03W](#) [EVQ-Q2Y01W](#) [EVQ-Q2Y02W](#)