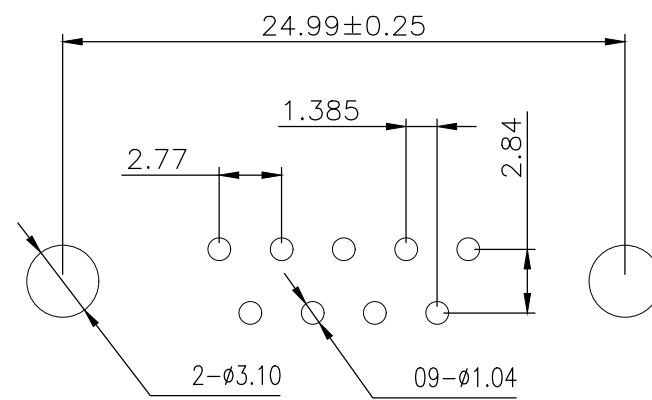
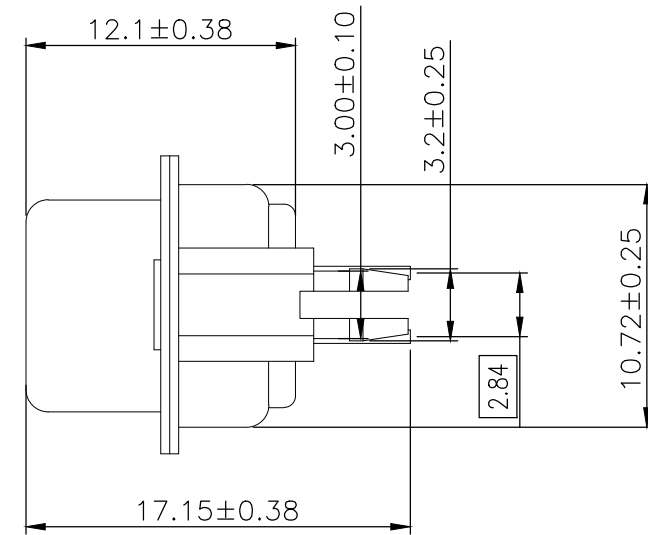
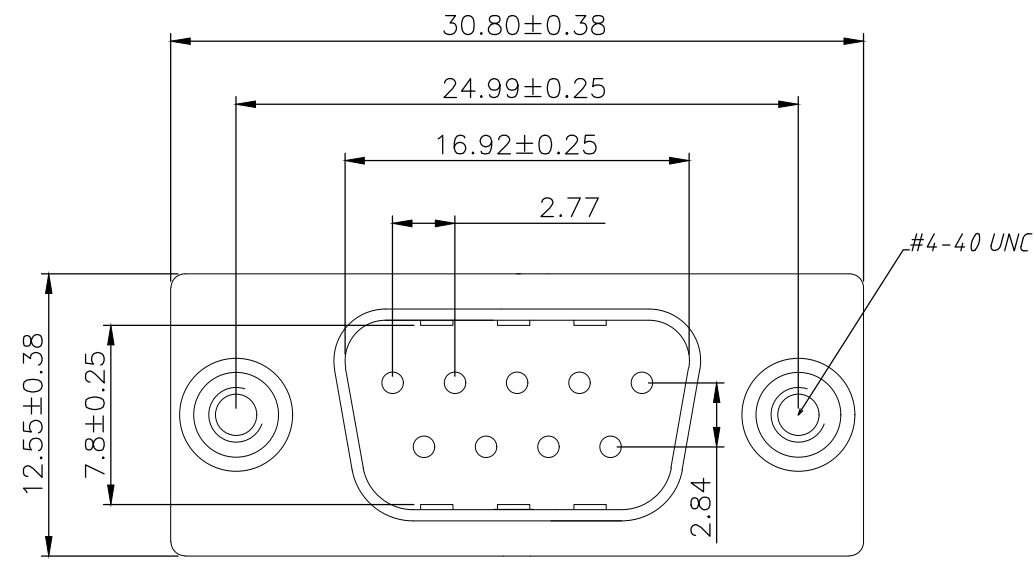


THIS DRAWING IS UNPUBLISHED. RELEASED FOR PUBLICATION
 © COPYRIGHT - By - ALL RIGHTS RESERVED.

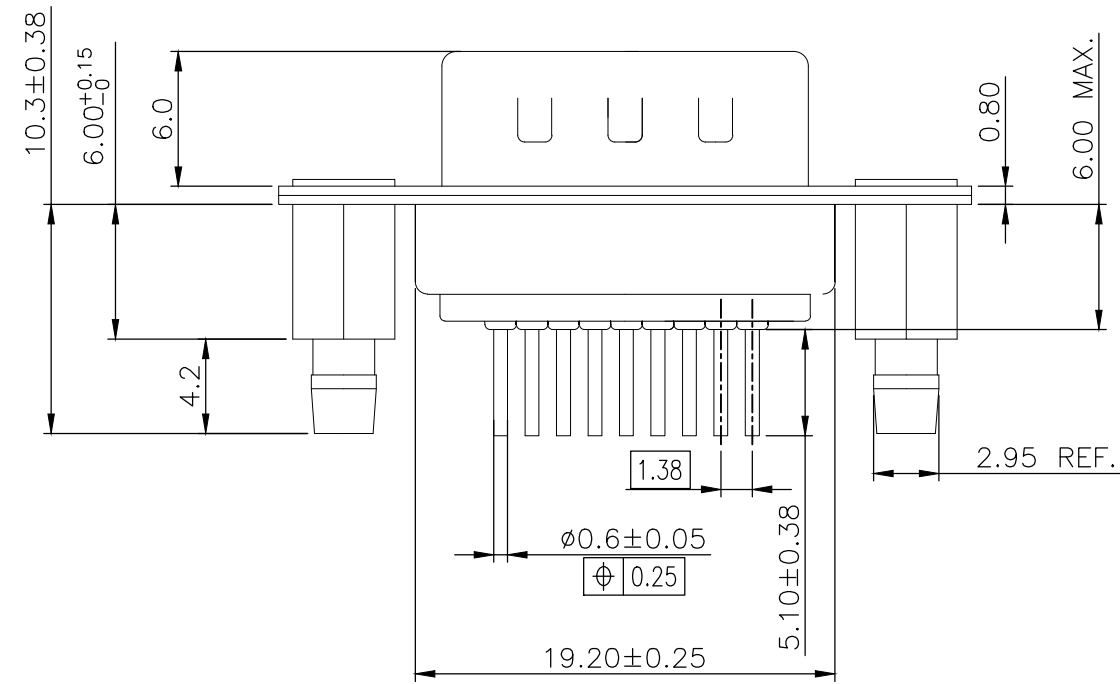
REVISIONS				
P	LTR	DESCRIPTION	DATE	APVD
D		REVISED PER ECO-18-001882	12FEB2018	AP DG

NOTE:

- MATERIAL:**
 HOUSING: PBT WITH 20% GF UL 94 V-0, BLACK COLOR
 CONTACTS: BRASS.
 SHELL: STEEL.
 SCREW: BRASS.
 SCREW LOCK: BRASS.
 SCREW TORQUE: 5kgf-cm MAX.
- FINISH:**
 CONTACTS: GOLD PLATED ON CONTACT AREA,
 0.375µm [15µ"] MIN. MATTE TIN ON SOLDER TAIL
 2.54µm [100µ"], WITH ENTIRE CONTACT UNDERPLATED 1.27µm [50µ"] MIN. NICKEL.
 FRONT SHELL: 2.54µm [100µ"] MIN. NICKEL PLATE.
 REAR SHELL: 1.27µm [50µ"] MIN NICKEL UNDERPLATE
 2.54µm [100µ"] MIN BRIGHT TIN PLATE
 SCREW LOCK: 1.27µm [50µ"] MIN. NICKEL PLATED.
 BOARDLOCK: 1.27µm [50µ"] MIN NICKEL UNDERPLATE
 1.27µm [50µ"] MIN MATTE TIN PLATE
- WAVE SOLDER CAPABLE TO 265°C PER TE TEST SPEC. 109-202, CONDITION B.**

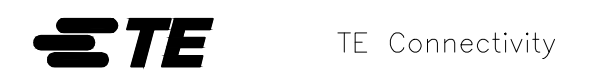


RECOMMENDED PCB LAYOUT



2301826

9w D plg W B/L & 4-40 inserts 15u" gold	2301826-1
DESCRIPTION	TE PART NO

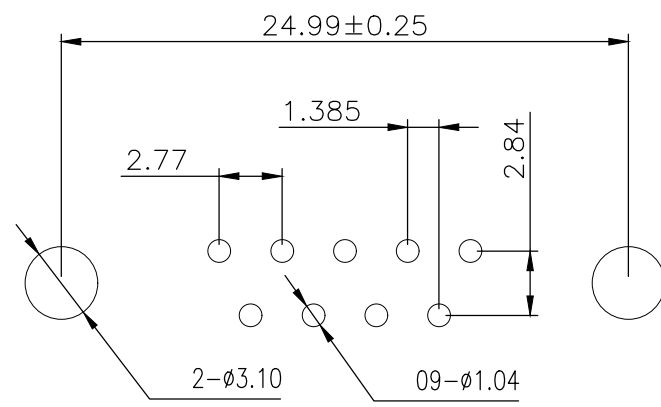
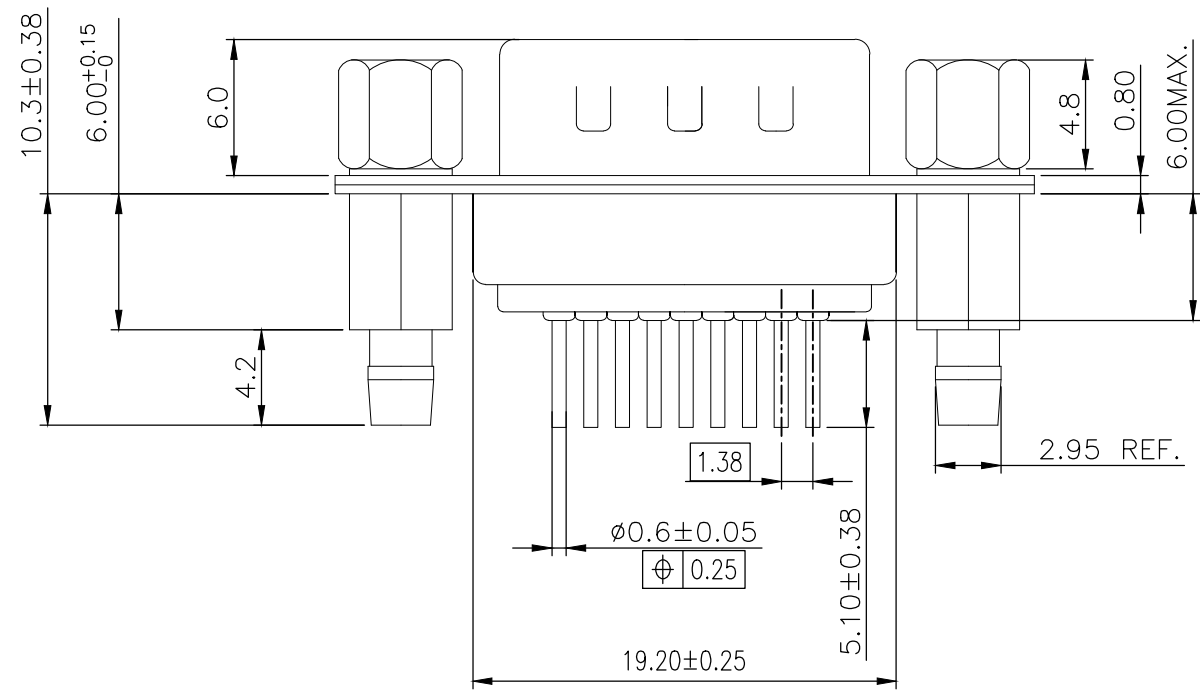
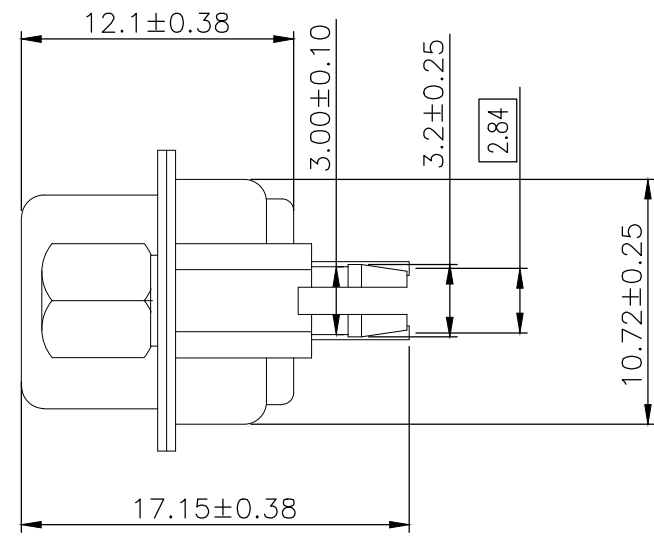
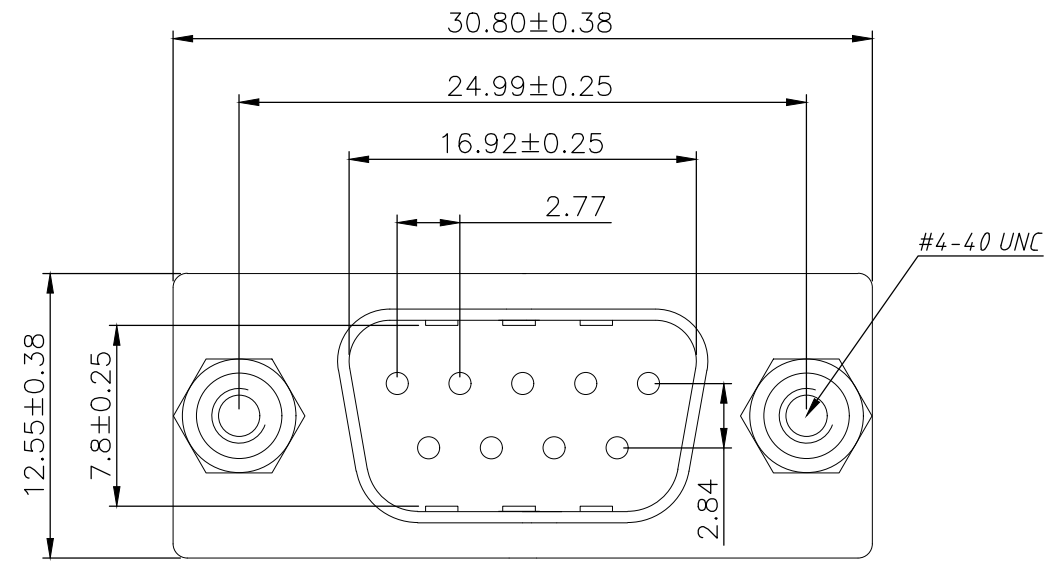


THIS DRAWING IS A CONTROLLED DOCUMENT.		DWN AJITH PAI 06FEB2017
DIMENSIONS: mm		CHK DAN GORENC 06FEB2017
TOLERANCES UNLESS OTHERWISE SPECIFIED:		APVD 06FEB2017
0 PLC ± -	1 PLC ± 0.25	PRODUCT SPEC
2 PLC ± 0.15	3 PLC ± -	108-130013
4 PLC ± -	ANGLES ± 2'	APPLICATION SPEC
MATERIAL	FINISH	WEIGHT
-	-	0
CUSTOMER DRAWING		SCALE 3:1 SHEET 1 OF 4 REV D

NAME			RESTRICTED TO
D-SUB VERTICAL 9P PLUG CONNECTOR			-
SIZE	CAGE CODE	DRAWING NO	
A2	00779	C=2301826	

THIS DRAWING IS UNPUBLISHED. RELEASED FOR PUBLICATION
 © COPYRIGHT - By - ALL RIGHTS RESERVED.

REVISIONS					
P	LTR	DESCRIPTION	DATE	DWN	APVD
-	-	SEE SHEET 1	-	-	-



RECOMMENDED PCB LAYOUT

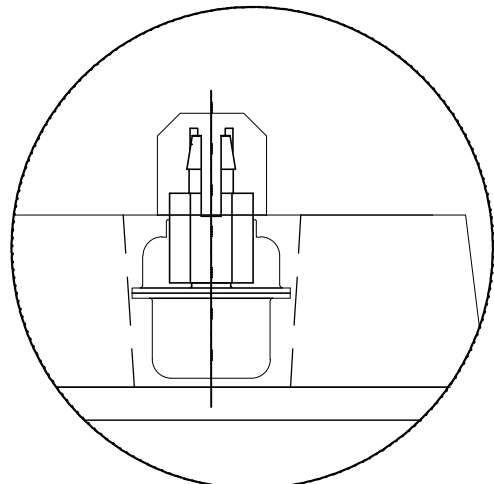
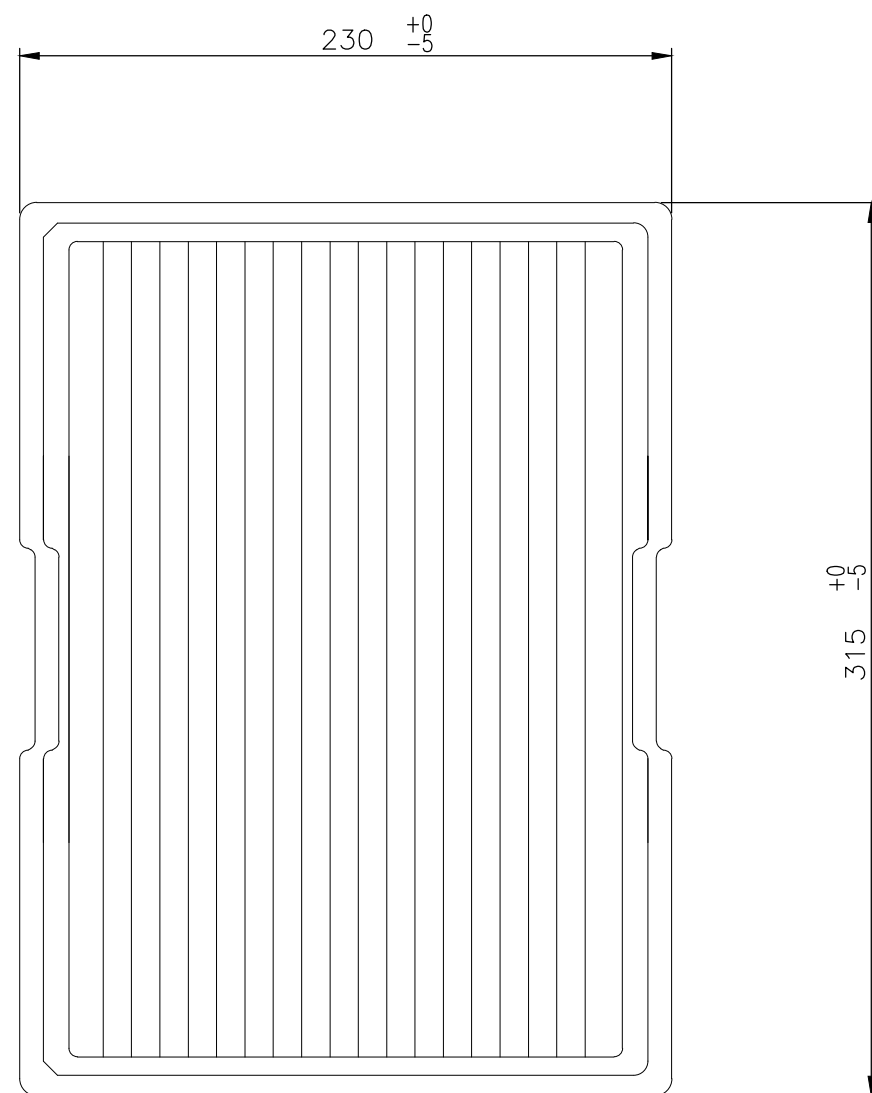
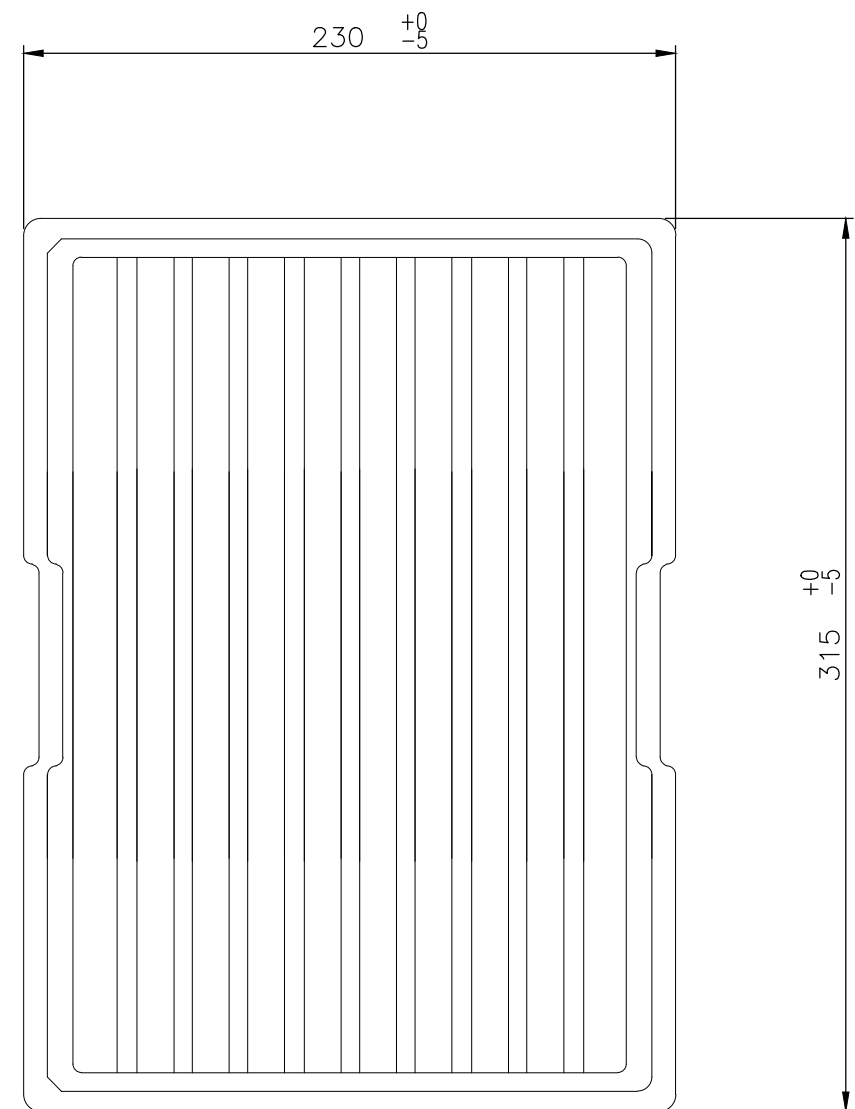
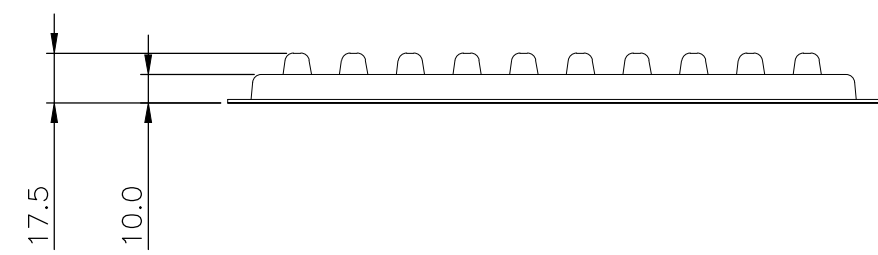
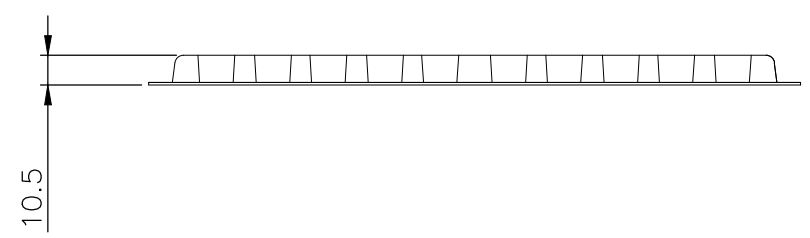
2301826

THIS DRAWING IS A CONTROLLED DOCUMENT.		DWN	AJITH PAI	06FEB2017
DIMENSIONS: mm		CHK	DAN GORENC	06FEB2017
TOLERANCES UNLESS OTHERWISE SPECIFIED:		APVD	-	06FEB2017
0 PLC ± -		PRODUCT SPEC	108-130013	
1 PLC ± 0.25		APPLICATION SPEC	-	
2 PLC ± 0.15		WEIGHT	0	
3 PLC ± -		CUSTOMER DRAWING	-	
4 PLC ± -		SCALE	3:1	
ANGLES ± 2°		SHEET	2 of 4	
MATERIAL -		FINISH -	REV D	

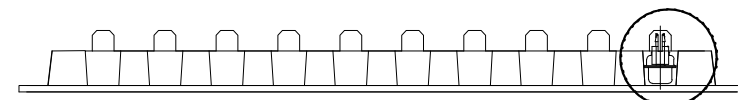
9w D plg W B/L & 4-40 s/lock 15u" gold		2301826-2	
DESCRIPTION		TE PART NO	
TE TE Connectivity			
D-SUB VERTICAL 9P PLUG CONNECTOR			
SIZE	CAGE CODE	DRAWING NO	RESTRICTED TO
A2	00779	C=2301826	-

THIS DRAWING IS UNPUBLISHED. RELEASED FOR PUBLICATION
 © COPYRIGHT - By - ALL RIGHTS RESERVED.

REVISIONS					
P	LTR	DESCRIPTION	DATE	DWN	APVD
-	-	SEE SHEET 1	-	-	-



DETAIL A



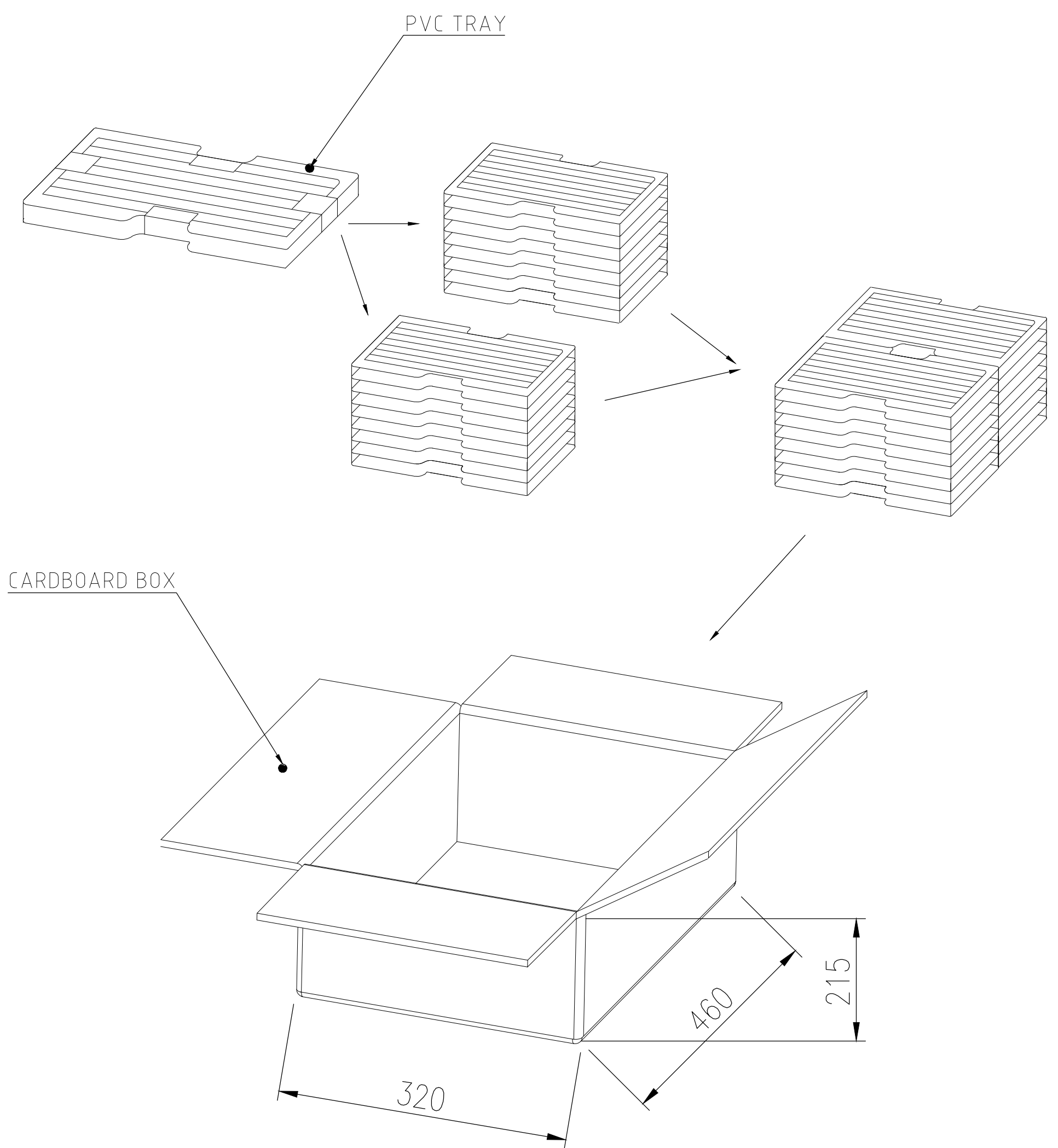
SEE DETAIL A

THIS DRAWING IS A CONTROLLED DOCUMENT.		DWN AJITH PAI 06FEB2017			
		CHK DAN GORENC 06FEB2017			
		APVD - 06FEB2017	NAME		
DIMENSIONS: mm		TOLERANCES UNLESS OTHERWISE SPECIFIED:	D-SUB VERTICAL 9P PLUG CONNECTOR		
		0 PLC ± -	SIZE		
		1 PLC ± 0.25	CAGE CODE		
		2 PLC ± 0.15	DRAWING NO		
		3 PLC ± -	RESTRICTED TO		
		4 PLC ± -	SCALE		
MATERIAL		FINISH	SHEET		
			3 OF 4		
			REV		
			D		
		WEIGHT 0	CUSTOMER DRAWING		
			SCALE 3:1		
			SHEET 3 OF 4		
			REV D		

2301826

THIS DRAWING IS UNPUBLISHED. RELEASED FOR PUBLICATION
 © COPYRIGHT - By - ALL RIGHTS RESERVED.

REVISIONS					
P	LTR	DESCRIPTION	DATE	DWN	APVD
-	-	SEE SHEET 1	-	-	-



15.989	13.410	90	20	1800	2301826-2
13.325	10.746	90	20	1800	2301826-1
GROSS WEIGHT (kg)	NET WEIGHT (kg)	PCS/TRAY	TRAYS /CARTON	QUANTITY /PCS	PART NUMBER

THIS DRAWING IS A CONTROLLED DOCUMENT.		DWN AJITH PAI 06FEB2017			
DIMENSIONS: mm		CHK DAN GORENC 06FEB2017			
TOLERANCES UNLESS OTHERWISE SPECIFIED:		APVD - 06FEB2017	NAME D-SUB VERTICAL 9P PLUG CONNECTOR		
0 PLC ± -		PRODUCT SPEC 108-130013	SIZE A2	CAGE CODE 00779	DRAWING NO C=2301826
1 PLC ± 0.25		APPLICATION SPEC -	RESTRICTED TO -		
2 PLC ± 0.15		WEIGHT 0	SCALE 3:1	SHEET 4 of 4	REV D
3 PLC ± -		MATERIAL -	CUSTOMER DRAWING		
4 PLC ± -		FINISH -			
ANGLES ± -					

Mouser Electronics

Authorized Distributor

Click to View Pricing, Inventory, Delivery & Lifecycle Information:

[TE Connectivity:](#)

[2301826-2](#)