

PRODUCT NO.
61729-*

PRODUCT NUMBER CODE:

61729 - X X X X P S LF

BASE PRODUCT NUMBER

HOUSING COLOR OPTION

0 - WHITE
1 - BLACK

HALOGEN OPTION

0 - WITH HALOGEN
1 - HF (HALOGEN FREE)

SHIELD OPTION

1 - FULL BACK
2 - PARTIAL BACK
3 - FULL BACK (SPECIAL PLATING NI ONLY)
S - FULL BACK (SPECIAL MATERIAL FOR 12,000 DURABILITY CYCLES)
P - PARTIAL BACK (SPECIAL MATERIAL FOR 12,000 DURABILITY CYCLES)
Q - PARTIAL BACK WITH SHORT TAIL FOR TYPE 3

TERMINAL PLATING OPTION

0 - 50u" NI UNDERPLATED
30u" GXT CONTACT AREA
100u" PURE TIN TAIL AREA
1 - 50u" NI UNDERPLATED
30u" GOLD CONTACT AREA
100u" PURE TIN TAIL AREA

PACKAGING OPTION

B - TUBES
R - TAPE & REEL

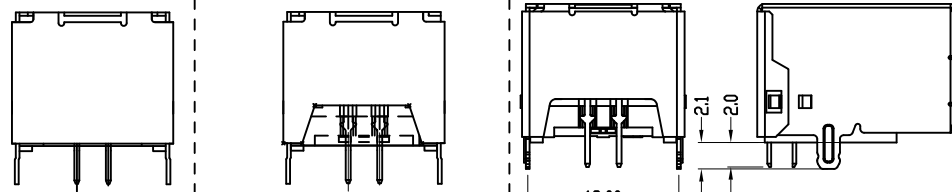
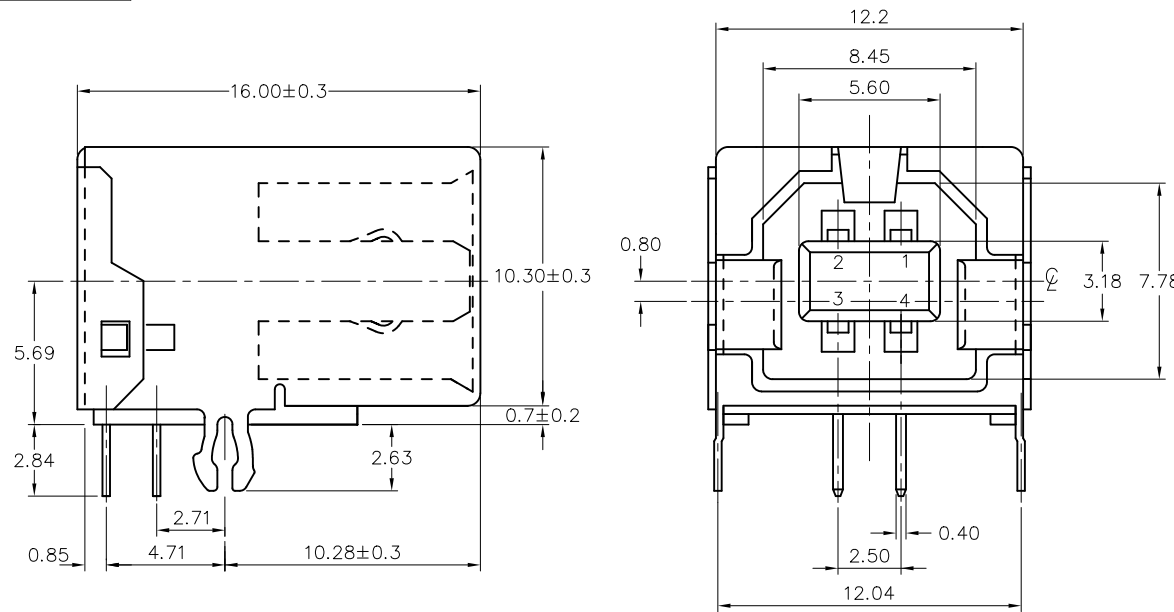
DATE CODE OPTION

P - WITH DATE CODE

DEFAULT: WITHOUT DATE CODE

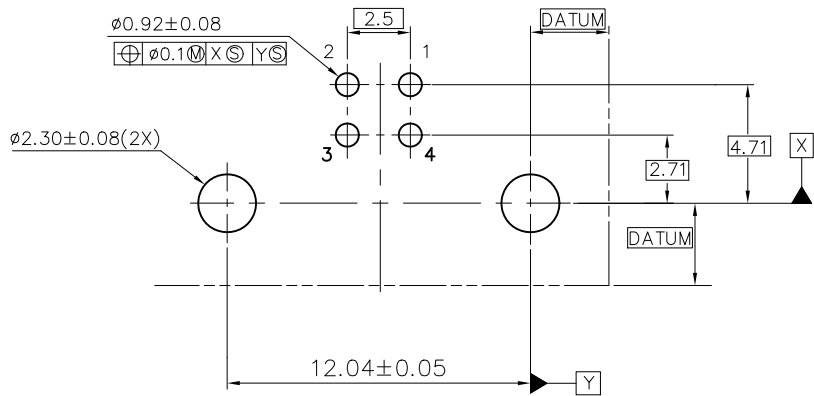
ONLY FOR PANASONIC

LEAD FREE OPTION

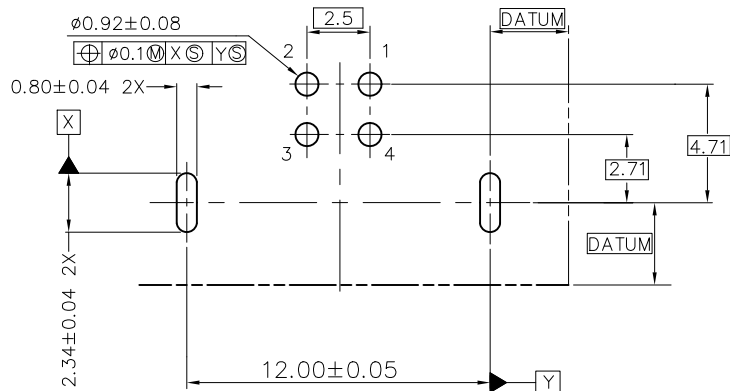


TYPE"1" FULL BACK
TYPE"2" PARTIAL BACK
TYPE"3" PARTIAL BACK WITH SHORT SOLDER TAIL AND SHELL TAIL FOR PIP PROCESS 61729-XXQXLF

mat'l. code		surface	tolerance	projection	product family
		ISO 1302	ISO 406	ISO 1101	HPL 511 USB2.0
ltr	ecn no dr	date	tolerances unless otherwise specified	mm	title
S	N05-0242 PH	08/22/05	0.0±0.30	mm	USB RECEPTACLE B TYPE
T	N06-0103 HB	04/15/06	0.00±0.20	mm	
U	N08-0238 RB	11/03/08	0.000±0.10	scale 1:1	
V	N08-0246 RB	12/08/08	dr Laurence.Zang	03/09/18	Amphenol FCI
W	ECR-N-16533 LQ	12/17/13	eng Laurence.Zang	03/09/18	dwg no sheet 1 of 2 size
X	ELX-N-29556 LZ	03/09/18	chr Tim.Yao	03/09/18	61729 A3
			appd Tim.Yao	03/09/18	type Product Customer Drawing
sheet index	revision sheet				



P.C. BOARD LAYOUT
STYLE 1 APPLY FOR TYPE 1 & 2



P.C. BOARD LAYOUT
STYLE 2 APPLY FOR TYPE 3

NOTES:

- MATERIAL:
SHIELD & CONTACTS: COPPER ALLOY
HOUSING: UL 94V-0 ,HIGH TEMPERATURE THERMOPLASTIC.
COLOR: SEE PRODUCT NUMBER CODE.
- PLATING: SEE PRODUCT NUMBER CODE.
SHIELD: BRIGHT TIN, NICKEL UNDERPLATE(USED FOR WAVE SOLDER PROCESS),
PLATING NICKEL ONLY(USED FOR PIP PROCESS).
- DATUMS & BASIC DIMENSIONS TO BE DETERMINED BY CUSTOMER
- RECOMMENDED BOARD THICKNESS IS 1.57 mm (.062)
- PACKING STANDARD GS-14-920 WILL BE APPLIED FOR LEAD FREE P/N'S
- FOR LEAD FREE P/N, THE PRODUCT MEET EUROPEAN UNION DIRECTIVES AND OTHER COUNTRY REGULATION AS DESCRIBED IN GS-22-008
- FOR LEAD FREE P/N'S, THE HOUSING WILL WITHSTAND EXPOSURE TO 260°C PEAK TERMERATURE FOR 10 SECONDS IN A CONVECTION, INFRO-RED OR VAPOR PHASE REFLOW OVEN.
- THE PART CAN BE USED FOR PIP PROCESS.

mat'l. code		surface	tolerance	projection	product family
		ISO 1302	ISO 406	ISO 1101	HPL 511 USB2.0
ltr	ecn no	dr	date	tolerances unless otherwise specified	title
X				0.0±0.30	USB RECEPTACLE B TYPE
				linear	mm
				0°±2'	scale 1:1
		dr	Laurence.Zang	03/09/18	Amphenol FCI
		eng	Laurence.Zang	03/09/18	dwg no
		chr	Tim.Yao	03/09/18	sheet 2 of 2
		appd	Tim.Yao	03/09/18	61729
					size
					A3
sheet index	revision sheet				type Product Customer Drawing

Mouser Electronics

Authorized Distributor

Click to View Pricing, Inventory, Delivery & Lifecycle Information:

[FCI / Amphenol:](#)

[61729-01Q0RLF](#)