

- NOTES:
- TERMINAL PUSHOUT FORCE: 3 lbs.
  - ASSEMBLE GOLD PLATED END AS SHOWN.
  - Ⓢ REPRESENTS CRITICAL DIMENSION.
  - TERMINALS TO BE FLUSH TO .010 [2.5] BELOW TOP OF SHROUD.
  - TST-1XX-04-X-D-RA-XX ASSEMBLIES ARE TO BE PACKAGED IN A PT-1-24-01-40, TUBE WITH TWO TP-13 PLUGS PER TUBE (ALL POSITIONS).
  - SAMTEC LOGO MAY VARY IN LOCATION.

TST-1XX-XX-X-X-XX-XX

NO. OF POSITIONS  
 -02 (STRAIGHT ONLY)  
 -03 THRU -18 & 20,  
 24, 25, 28, 30, 32, 36

LEAD STYLE  
 SEE TABLE 1

ROW OPTION  
 -D: DOUBLE  
 -S: SINGLE

POLARIZE OPTION  
 -XX INDICATES POSITION OMITTED

OPTION  
 BLANK: STRAIGHT (STYLE -04 & -05 N/A)  
 -RA: RIGHT ANGLE (STYLE -01, -02, & -03 N/A)  
 (SEE TUBE TABLE FOR PACKAGING)  
 -LL: LOCKING LEAD  
 -LA: -RA OPTION WITH -LL OPTION  
 (SEE TUBE TABLE FOR PACKAGING)

PLATING SPECIFICATION

- G: GOLD, 10 Au / 50 NI MIN ON CONTACT, 3 AU / 50 NI MIN ON TAIL
- T: MATTE TIN CONTACT AND TAIL
- S: SELECTIVE, 30 Au / 50 NI MIN ON CONTACT, MATTE TIN TAIL
- L: LIGHT SELECTIVE, 10 Au / 50 NI MIN ON CONTACT, MATTE TIN TAIL
- H: HEAVY GOLD, 30 AU / 50 NI MIN ON CONTACT, 3 AU / 50 NI MIN ON TAIL
- F: FLASH SELECTIVE, 3 AU / 50 NI MIN ON CONTACT, MATTE TIN TAIL

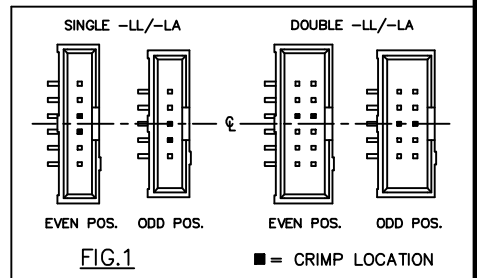
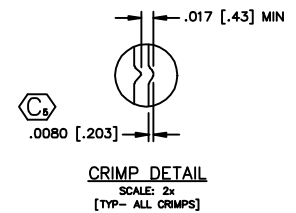
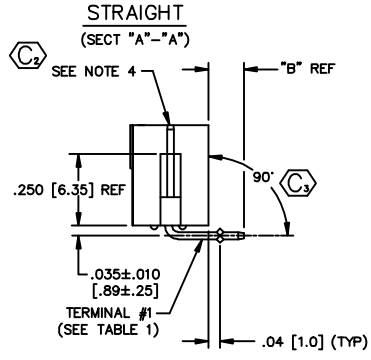
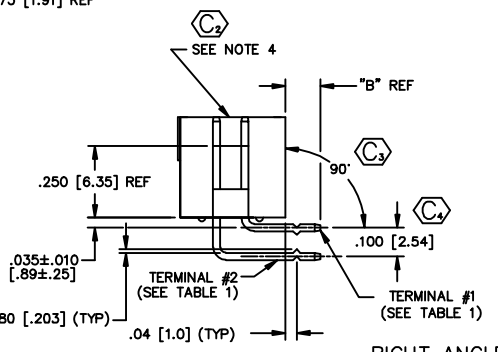
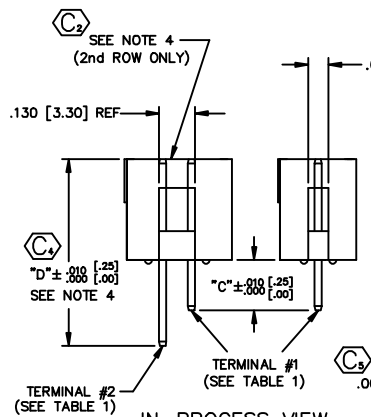
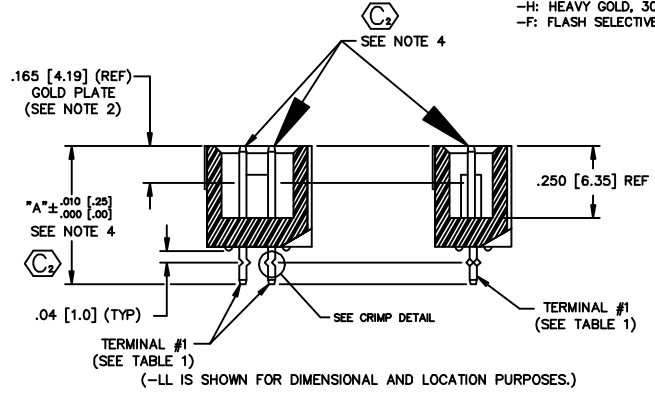
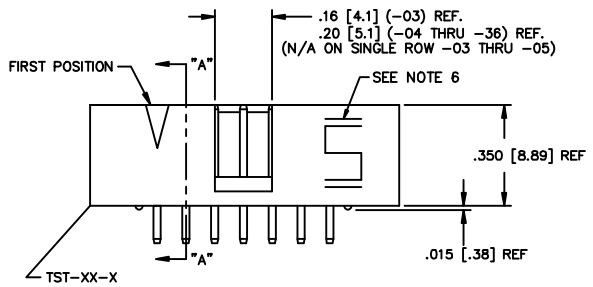


TABLE 1

LEAD STYLE	"A"	"B"	"C"	"C"	"D"	TERMINAL #1	TERMINAL #2
-01	.480 [12.19]	-----	NO RA REPRESS	WITH RA REPRESS	-----	T-1S8-17-X-2	-----
-02	.530 [13.46]	-----	-----	-----	-----	T-1S8-08-X-2	-----
-03	.930 [23.62]	-----	-----	-----	-----	T-1S8-11-X-2	-----
-04	-----	.130 [3.30]	.280 [7.11]	.350 [8.89]	.830 [21.08]	T-1S8-15-X-2	T-1S8-10-X-2
-05	-----	.230 [5.84]	.380 [9.65]	.450 [11.43]	.930 [23.62]	T-1S8-09-X-2	T-1S8-11-X-2

MATERIAL:  
 LCP, UL 94 V0 VALOX SEO OR 553,  
 OR CELANEX 3316  
 COLOR: BLACK

TERMINAL:  
 PHOSPHOR BRONZE, ALLOY No  
 510, GRADE A, FEDERAL SPEC.  
 QQ-B-750, 3/4 HARD, 95 - 105  
 KPSI TENSILE.  
 MATERIAL THICKNESS: .0250±.0003  
 [.635±.0076]

MISC\MKTG  
 TST-MKT

**samtec**

520 PARK EAST BLVD. NEW ALBANY, INDIANA 47150  
 PHONE (812) 944-8733 P.O. BOX 1147  
 CODE 55322

MADE BY: JORDAN 2-18-87

TST-1XX-XX-X-X-XX-XX  
 SHEET 1 OF 1

**PROPRIETARY NOTE**  
 THIS DOCUMENT CONTAINS INFORMATION CONFIDENTIAL AND PROPRIETARY TO SAMTEC INC. AND SHALL NOT BE REPRODUCED OR TRANSMITTED TO OTHER DOCUMENTS OR DISCLOSED TO OTHERS OR USED FOR ANY PURPOSE OTHER THAN THAT FOR WHICH IT WAS DESIGNED WITHOUT THE EXPRESS WRITTEN CONSENT OF SAMTEC INC.

Do not scale from this print.