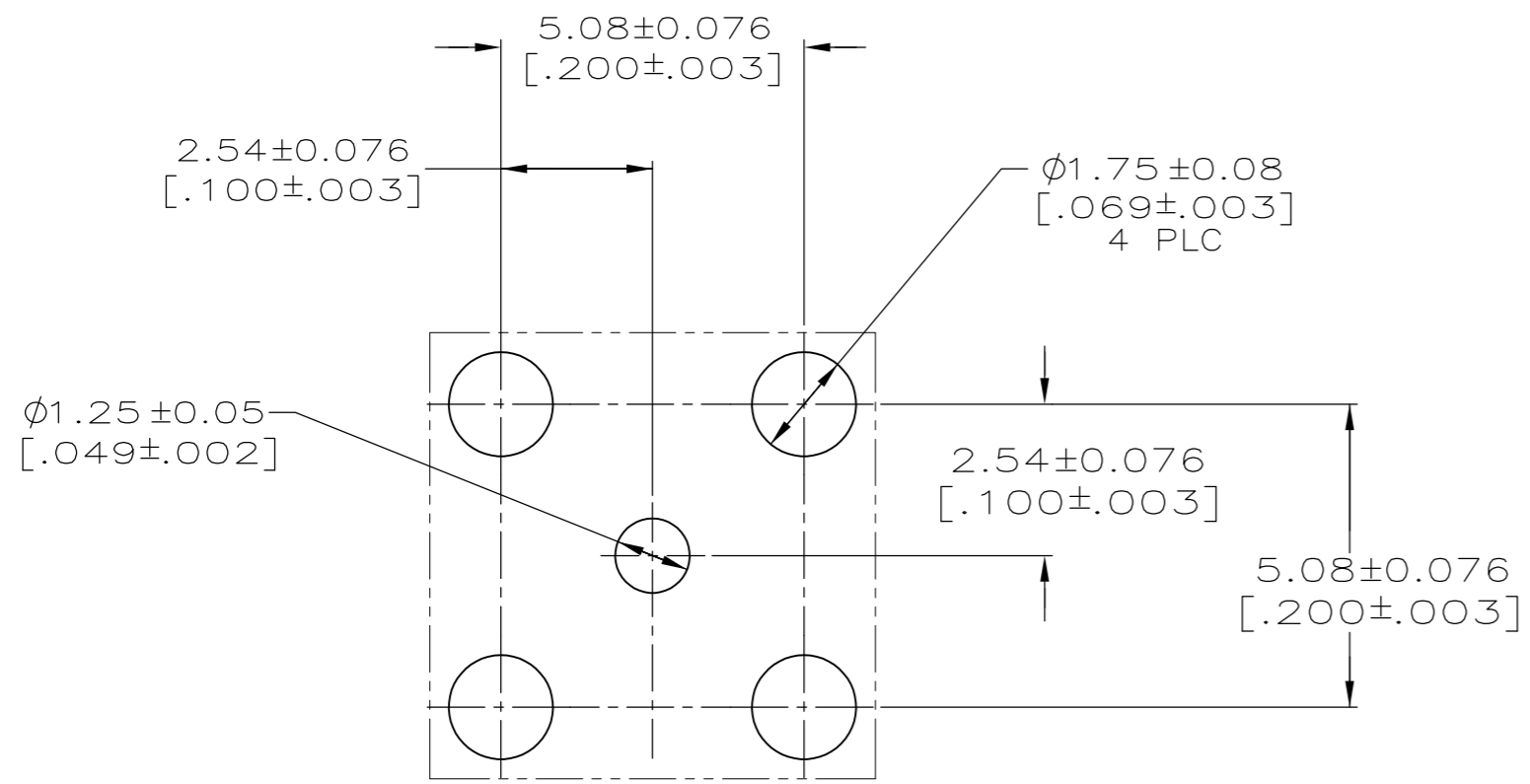
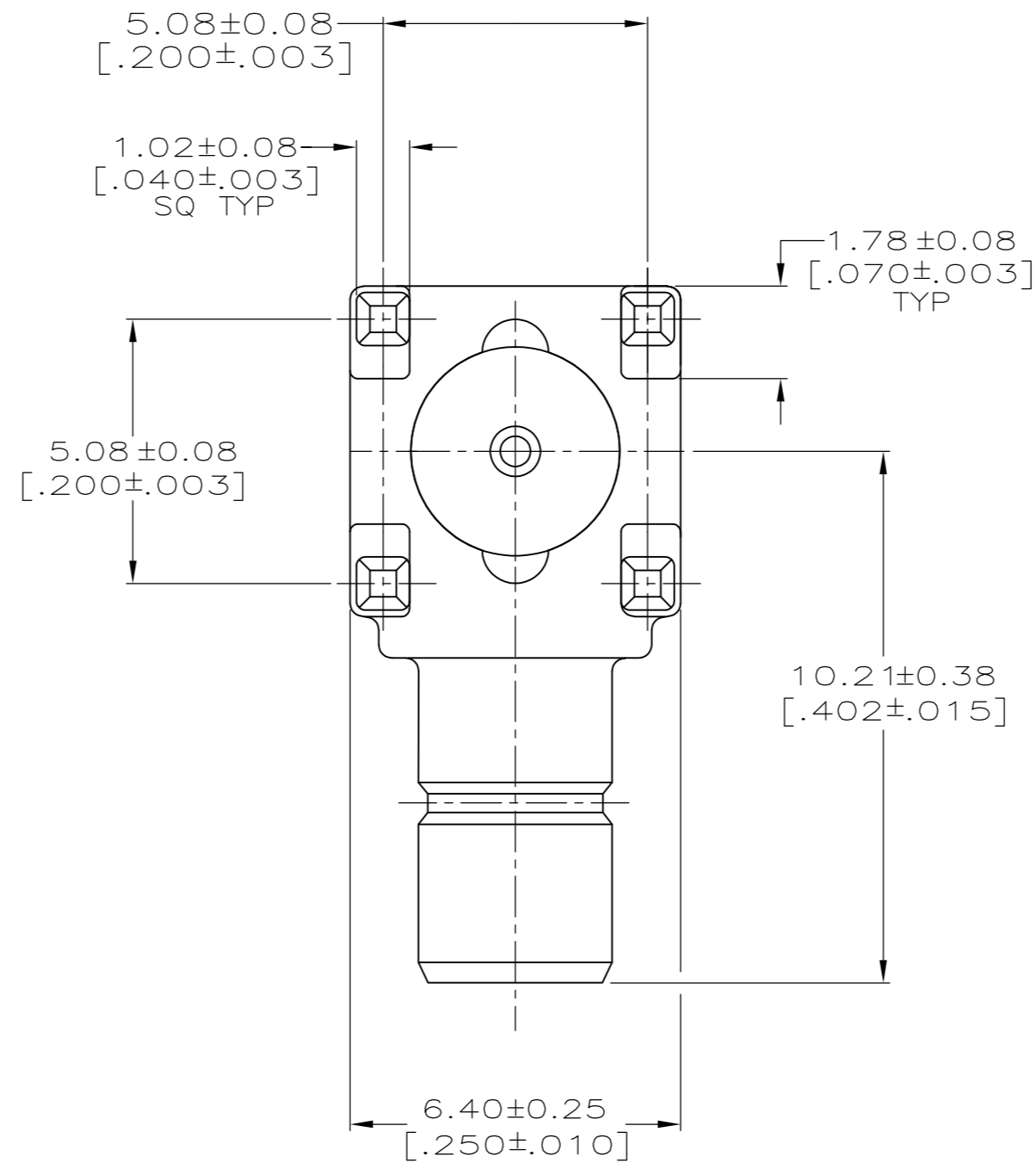
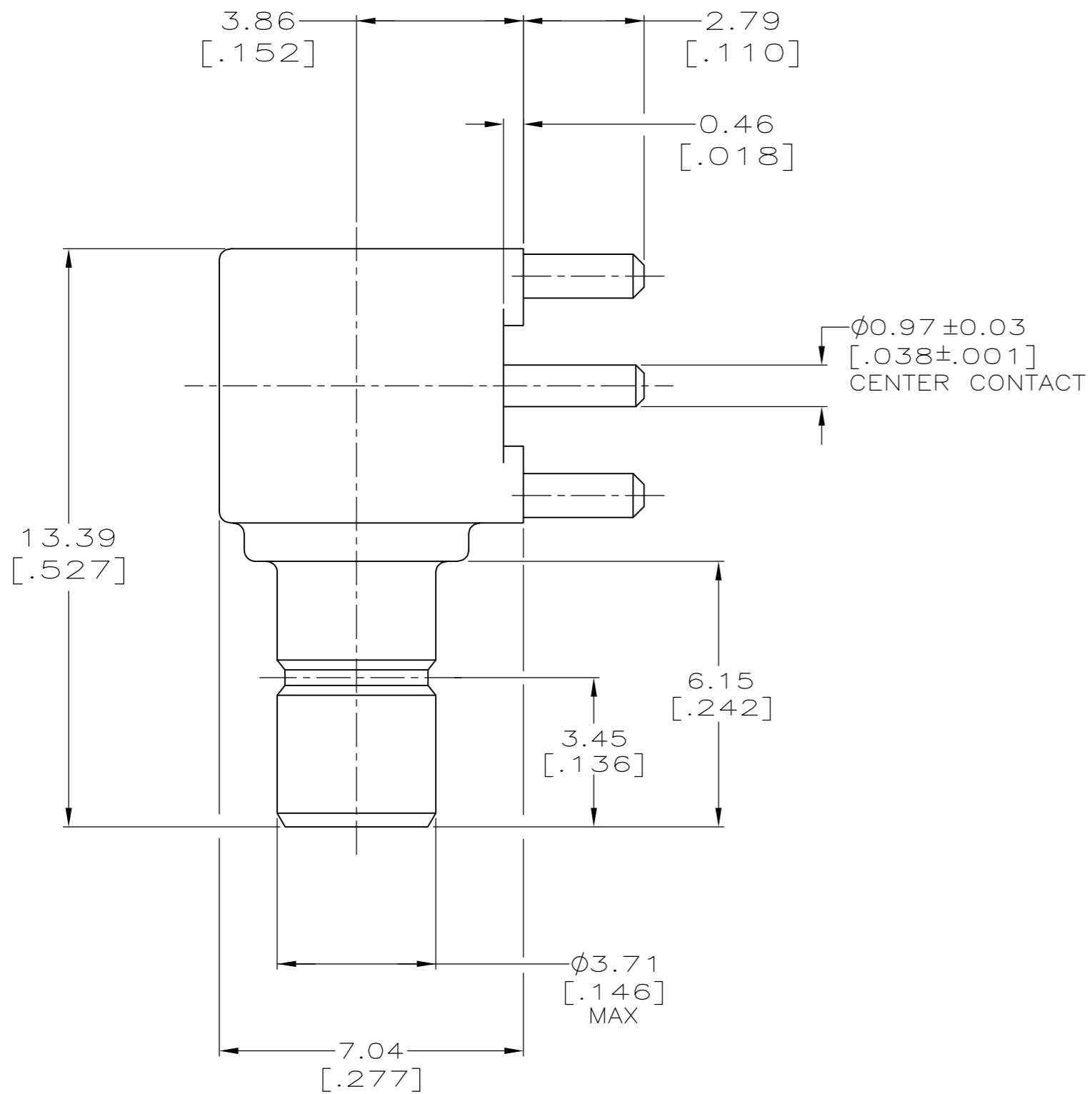


THIS DRAWING IS UNPUBLISHED. RELEASED FOR PUBLICATION
 © COPYRIGHT - By - ALL RIGHTS RESERVED.

LOC		DIST		REVISIONS			
P	LTR	DESCRIPTION	DATE	DWN	APVD		
AJ	31						
	A2	ECO-12-018212	29OCT2012	GG	MY		



RECOMMENDED PCB CONFIGURATION

- 1 MATERIALS:
 BODY...ZINC ALLOY (ACUZINC)
 CENTER CONTACT...BRASS PER QQ-B-626
 DIELECTRICS...PTFE PER ASTM-D1710
- 2 FINISH:
 CENTER CONTACT...GOLD PLATE PER MIL-G-45204
 BODY...GOLD PLATE PER MIL-G-45204.
- 3. INTERFACE PER MIL-C-39012

415340

B

A

415340-1
 PART NUMBER

THIS DRAWING IS A CONTROLLED DOCUMENT.		DWN 02/FEB/96 S. BURKHOLDER														
DIMENSIONS: mm [INCHES]		CHK 4-1-96 B. MOYER														
TOLERANCES UNLESS OTHERWISE SPECIFIED:		APVD 4-1-96 J. CABARLO	NAME JACK, RIGHT ANGLE, PCB, SMB													
<table border="0"> <tr><td>0 PLC</td><td>± -</td></tr> <tr><td>1 PLC</td><td>± -</td></tr> <tr><td>2 PLC</td><td>± 0.13 [.005]</td></tr> <tr><td>3 PLC</td><td>± -</td></tr> <tr><td>4 PLC</td><td>± -</td></tr> <tr><td>ANGLES</td><td>± -</td></tr> </table>		0 PLC	± -	1 PLC	± -	2 PLC	± 0.13 [.005]	3 PLC	± -	4 PLC	± -	ANGLES	± -	PRODUCT SPEC -	SIZE A2	CAGE CODE 00779
0 PLC	± -															
1 PLC	± -															
2 PLC	± 0.13 [.005]															
3 PLC	± -															
4 PLC	± -															
ANGLES	± -															
MATERIAL 1	FINISH 2	APPLICATION SPEC -	DRAWING NO C=415340	RESTRICTED TO -												
CUSTOMER DRAWING		WEIGHT -	SCALE 8:1	SHEET 1 of 1												
		REV A2														

Mouser Electronics

Authorized Distributor

Click to View Pricing, Inventory, Delivery & Lifecycle Information:

[TE Connectivity:](#)

[415340-1](#)