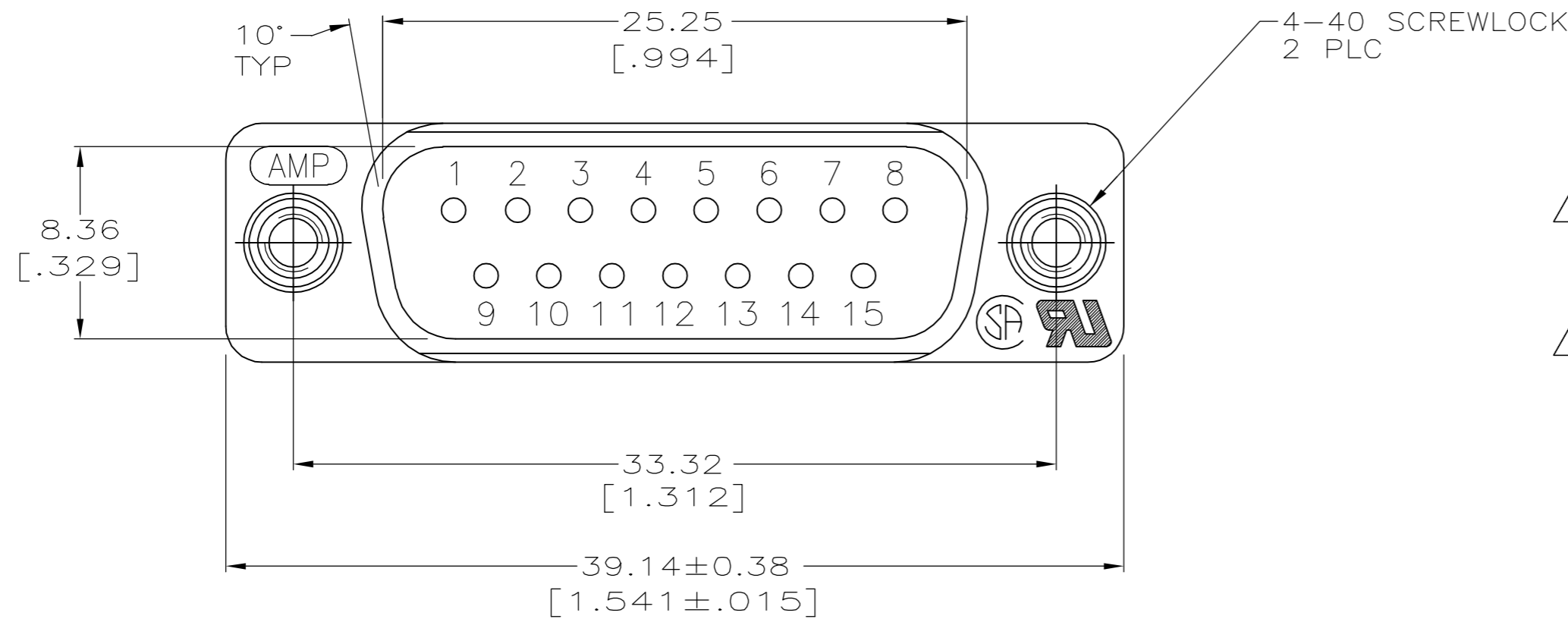
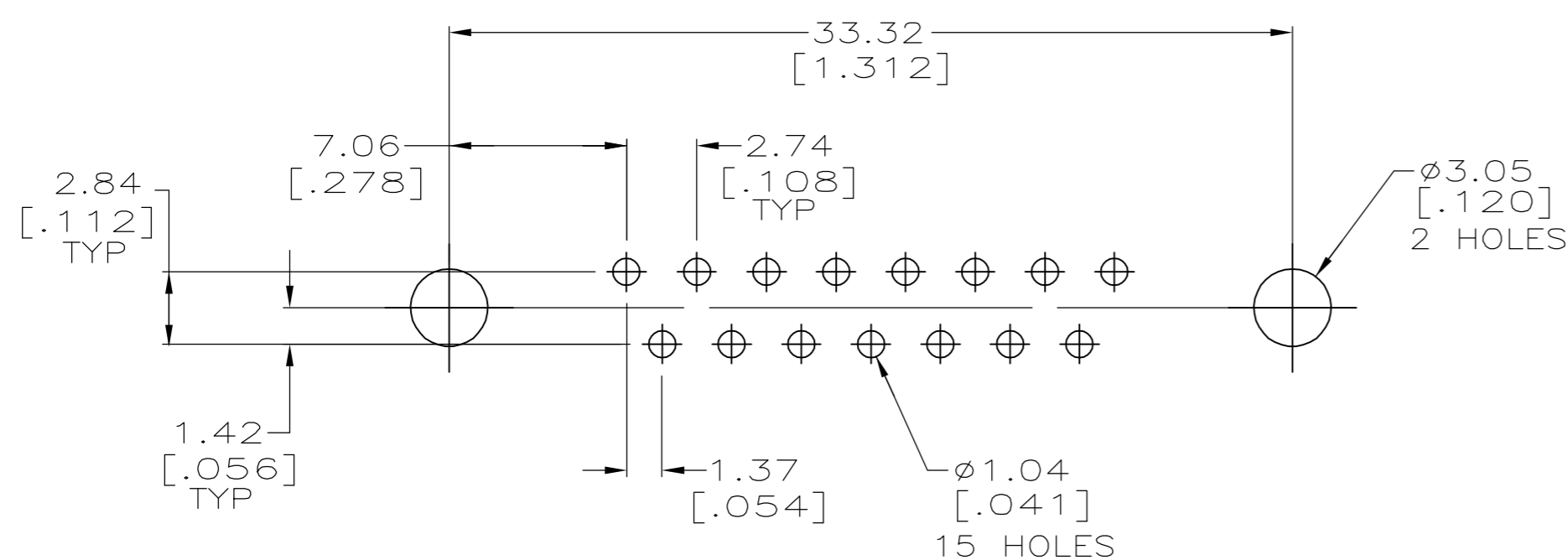
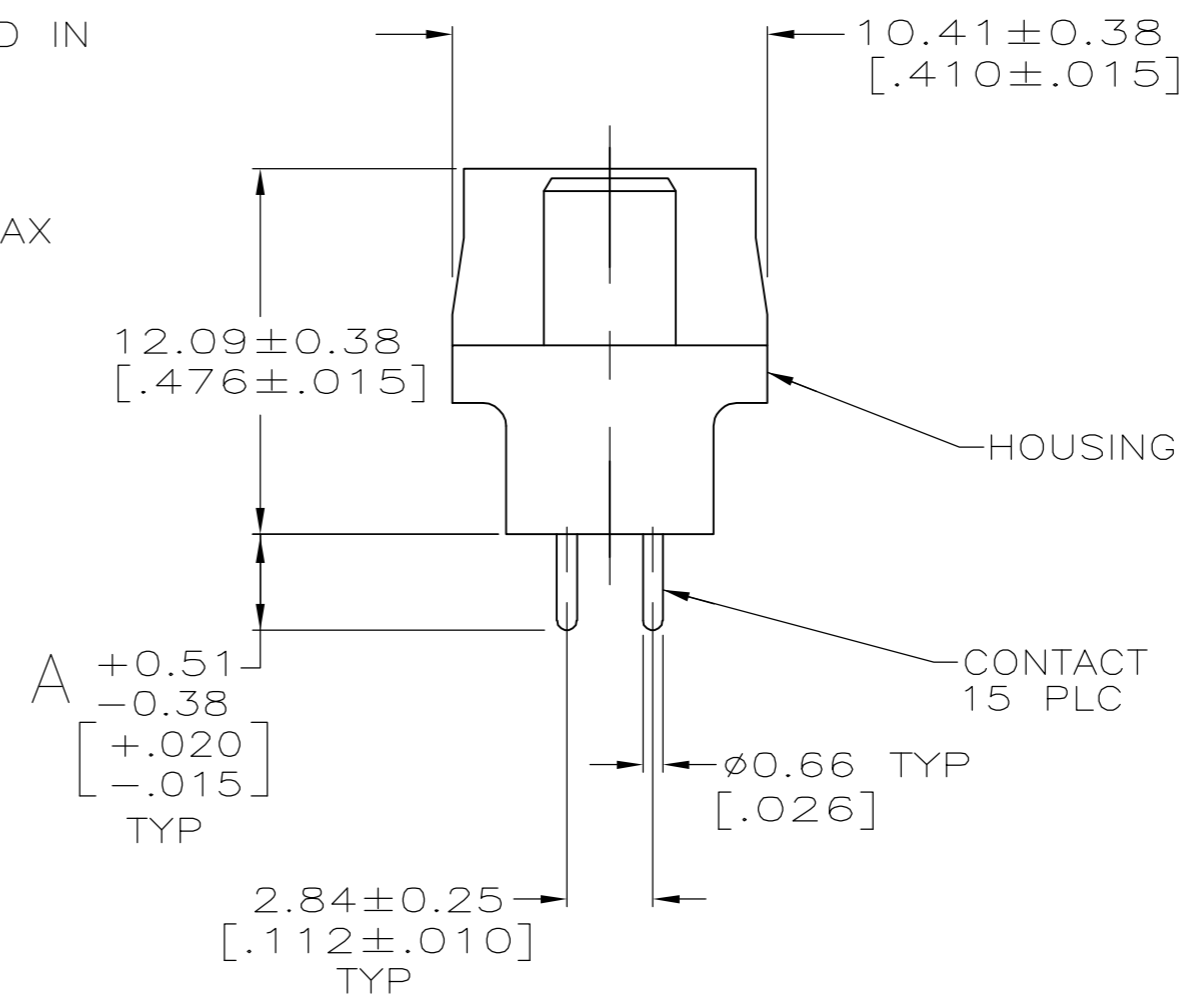
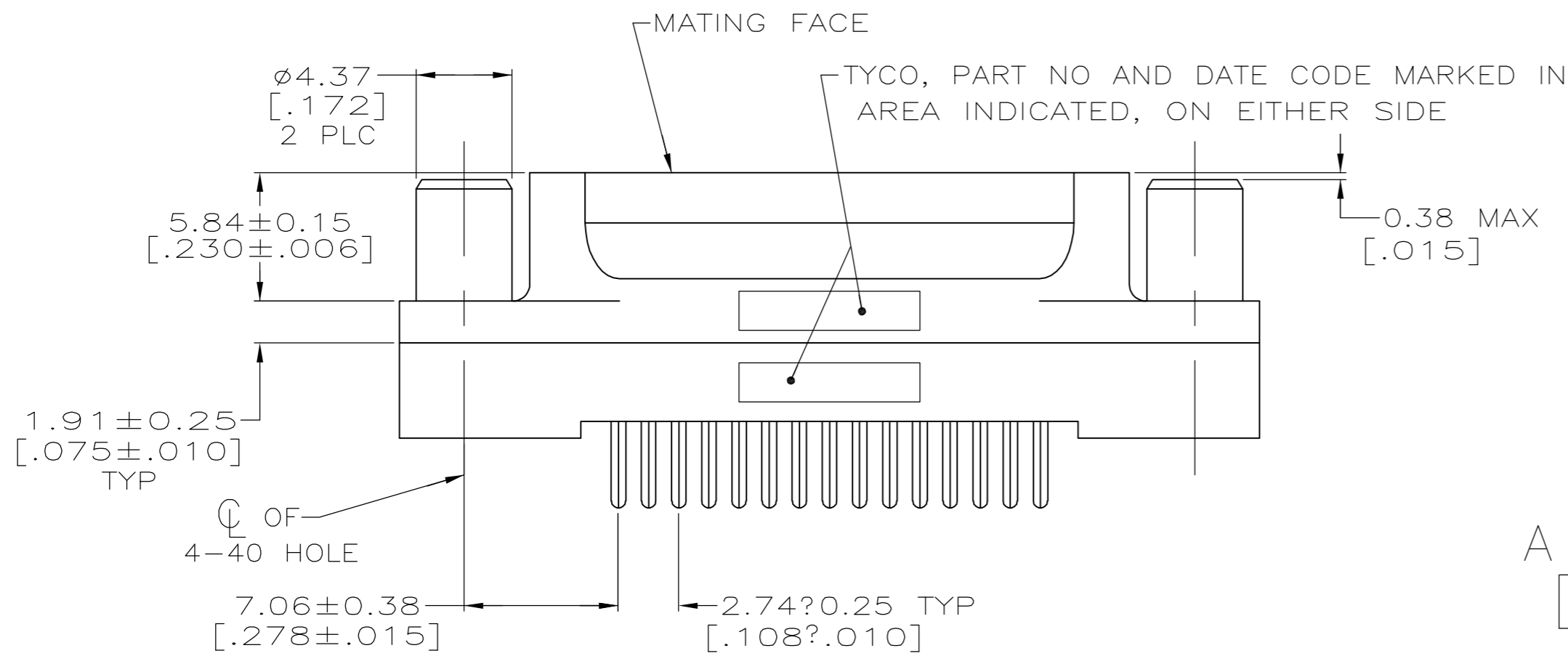


THIS DRAWING IS UNPUBLISHED. RELEASED FOR PUBLICATION  
 © COPYRIGHT BY TYCO ELECTRONICS CORPORATION. ALL RIGHTS RESERVED.

| LOC |     | DIST                      |           | REVISIONS |      |  |  |
|-----|-----|---------------------------|-----------|-----------|------|--|--|
| P   | LTR | DESCRIPTION               | DATE      | DWN       | APVD |  |  |
| GP  | 00  |                           |           |           |      |  |  |
|     | A   | REVISED PER ECO-06-028339 | 18/DEC/06 | ZMR       | EDB  |  |  |



- ① HOUSING: BLACK POLYESTER, UL 94V-0 RATED.  
CONTACTS: BRASS.  
SCREWLOCKS: BRASS.
- ② CONTACTS: GOLD PLATED FOR A LENGTH OF 3.81 [.150] MIN FROM MATING END, 0.76µm [.000030] MIN GOLD IN MATED AREA, 2.54µm [.000100] MIN TIN ON OPPOSITE END, ALL OVER 1.27µm [.000050] MIN NICKEL  
-OR-  
GOLD FLASH OVER PALLADIUM NICKEL PLATED FOR LENGTH OF 3.81 [.150] MIN FROM MATING END, 0.76µm [.000030] MIN PALLADIUM NICKEL IN MATED AREA, 2.54µm [.000100] MIN TIN ON OPPOSITE END, ALL OVER 1.27µm [.000050] MIN NICKEL.  
SCREWLOCKS: 1.27µm [.000050] MIN NICKEL OVER COPPER FLASH.



RECOMMENDED PC BOARD MOUNTING DIMENSIONS

**COPYRIGHT 2005  
 TYCO ELECTRONICS CORP  
 ALL RIGHTS RESERVED**

|             |           |
|-------------|-----------|
| 4.32 [.170] | 5745072-4 |
| 3.18 [.125] | 5745072-2 |
| A           | PART NO   |

|  |  |                         |   |                      |                 |
|--|--|-------------------------|---|----------------------|-----------------|
| THIS DRAWING IS A CONTROLLED DOCUMENT.   |  | DWN G.PETERS 13SEP05    | Tyco Electronics Corporation<br>Harrisburg, PA 17105-3608 | NAME                 |                 |
| DIMENSIONS: mm [INCHES]  |  | CHK S.BOLASH 13SEP05    |   | PRODUCT SPEC         |                 |
| TOLERANCES UNLESS OTHERWISE SPECIFIED:   |  | APVD M.WALMSLEY 13SEP05 |   | APPLICATION SPEC     |                 |
| 0 PLC ± -<br>1 PLC ± -<br>2 PLC ± 0.13 [.005]<br>3 PLC ± -<br>4 PLC ± -<br>ANGLES ± 2° |  | 108-40025               |   | SIZE A2              |                 |
| MATERIAL   |  | WEIGHT -                | CAGE CODE 00779   | DRAWING NO C=5745072 | RESTRICTED TO - |
| FINISH   |  | CUSTOMER DRAWING        |   | SCALE 4:1            | SHEET 1 of 1    |

# Mouser Electronics

Authorized Distributor

Click to View Pricing, Inventory, Delivery & Lifecycle Information:

[TE Connectivity:](#)

[5745072-2](#)