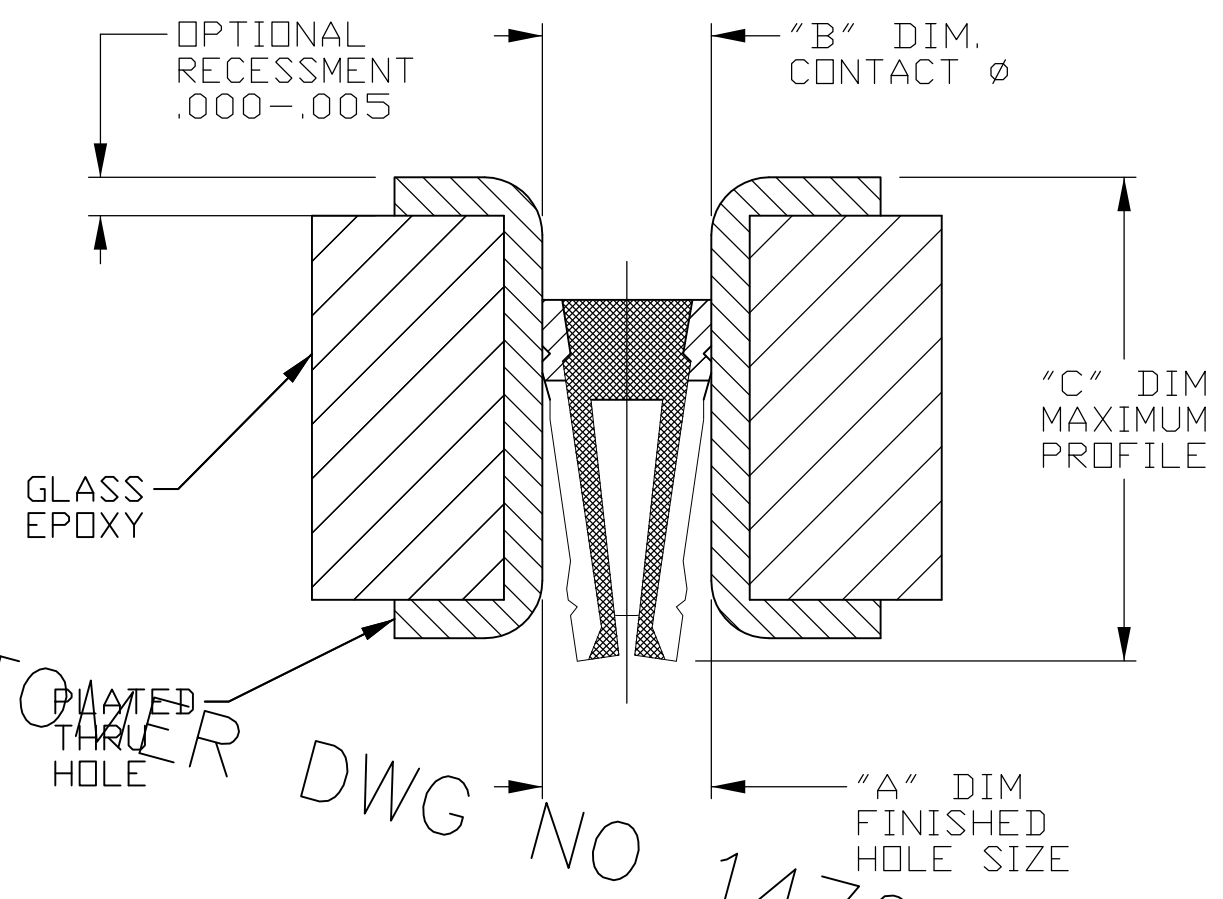


THIS DRAWING IS UNPUBLISHED. RELEASED FOR PUBLICATION  
 © COPYRIGHT - By - ALL RIGHTS RESERVED.

LOC	DIST	REVISIONS					
AD	00	P	LTR	DESCRIPTION	DATE	DWN	APVD
		A1		REVISED PER ECO-11-004820	11MAR11	RK	HMR

CONVERSION CHART		CONVERSION CHART	
INCH	MM	INCH	MM
.000	0,00	.030	0,76
.005	0,13		
.0003	0,007	.041	1,04
.0005	0,012		
.0005	0,012	.044	1,12
.001	0,02	.0453	1,150
.002	0,05	.100	2,54
.010	0,25	.107	2,72
.011	0,28	.300	7,62
.016	0,40	.400	10,16
.021	0,53		
.018	0,46	.600	15,24



- FEATURES:**
- QUALIFIED TO MIL-S-83505/6 (M8134 SERIES ONLY).
  - ZERO SOCKET PROFILE.
  - RECESSED CONTACT OFFERS LARGER HOLE DIAMETER FOR COMPONENT INSERTION.
  - PRECISION-MACHINED, TAPERED-ENTRY, FOUR FINGER CONTACT.
  - RETAINS MINIMUM COMPONENT LEAD LENGTHS.
  - MAXIMUM HEAT DISSIPATION.
  - SOLDERLESS, GAS-TIGHT, PRESS-FIT INSERTION.
  - INSTALLATION RATE-30,000 CONTACTS MINIMUM (LOADED AND PRESSED) PER HOUR.
  - REMOVES ARTWORK DESIGN RESTRICTIONS.
  - IMMEDIATE CONVERSION TO HOLTITE<sup>®</sup> SYSTEM.

- HOLTITE<sup>®</sup> CONTACT SOCKET REEL:**
- AVAILABLE IN ALL STANDARD DIP SOCKET PATTERNS MOUNTED ON DISPOSABLE MYLAR CARRIER.
  - CONTACTS PACKAGED 5,000 PIECES PER REEL.
  - EASILY INSTALLED WITH HAND TOOL IN AUGAT PROTOTYPING KIT (399-HK SERIES) OR WITH BENCHTOP PRESSES.
  - CONTACT AVAILABLE IN UNIVERSAL .100" APART X .300", .400" AND .600" WIDE ROWS FOR CUSTOM APPLICATIONS (CAN BE CUT TO DESIRED PATTERN SIZE).
  - HOLTITE<sup>®</sup> LOADING MACHINES AVAILABLE, CONSULT FACTORY.

**PART NUMBERS/STANDARD CONFIGURATIONS:**

PART NUMBER	CONTACT MATERIAL & FINISH	RECOMMENDED LEAD SIZE	RECOMMENDED PRIMARY DRILL SIZE	A DIM. FINISHED PLATED-THRU HOLE SIZE	B DIM CONTACT DIAMETER	C DIM MAXIMUM PROFILE	BOARD THICKNESS	PLATED-THRU HOLE FINISH
8134-HC-5P2 (GOLD)	COPPER ALLOY, GOLD PLATE OVER NICKEL	RECTANGULAR LEAD .011 X .018(±.002)	.0453	.041 ±.002	.044 ±.0005	.107	.030 MIN.	.0003-.0005 ELECTRO-DEPOSITED TIN/LEAD OVER .001 MIN. THICKNESS ELECTRO-DEPOSITED COPPER PLATE.
8134-HC-5P3 (TIN/LEAD)	COPPER ALLOY, TIN/LEAD PLATE	ROUND LEAD $\phi$ .016- $\phi$ .021						

CUSTOMER DWG NO 147699 FOR HOLTITE PRODUCTS

NO 147699 FOR HOLTITE PRODUCTS

1, INTERPRET DRAWING PER ASME Y14.5M-1994.

THIS DRAWING IS A CONTROLLED DOCUMENT.		DWN	K WIKSTROM	8-18-95	<b>STE</b> TE Connectivity		
DIMENSIONS: INCHES		CHK	-	-			
TOLERANCES UNLESS OTHERWISE SPECIFIED:		APVD	RJS	8-25-95	NAME		
0 PLC ± -		PRODUCT SPEC		CONTACT PLATED (REF AUGAT 8134-HC-5P2,P3)			
1 PLC ± -		APPLICATION SPEC		SIZE			
2 PLC ± -		WEIGHT		CAGE CODE			
3 PLC ± -		CUSTOMER DRAWING		DRAWING NO			
4 PLC ± -		SCALE		SHEET			
ANGLES ± -		RESTRICTED TO		REV			
FINISH		A3		00779			
MATERIAL		G		6-1437514-6			
		SCALE		SHEET			
		CUSTOMER DRAWING		1 OF 1			
		SCALE		REV			
		CUSTOMER DRAWING		A1			

# Mouser Electronics

Authorized Distributor

Click to View Pricing, Inventory, Delivery & Lifecycle Information:

[TE Connectivity:](#)

[6-1437514-7](#)