

FEATURES

- Internal LDO allows single 16V operation
- Output Voltage Range: 0.5V to 0.875*PVin
- 0.5% accurate Reference Voltage
- Programmable Switching Frequency up to 1.5MHz using Rt/Sync pin or PMBus
- Internal Soft-Start with Pre-Bias Start-up
- Enable input with Voltage Monitoring Capability
- Remote Sense Amplifier with True Differential Voltage Sensing
- Fast mode I2C and 400 kHz PMBus interface
- Sequencing and tracking capable
- Selectable analog mode or digital mode
- 66 PMBus commands for configuration, control, fault protection and telemetry.
- Thermally compensated current limit with configurable overcurrent responses
- Optional light load efficiency mode
- External synchronization with Smooth Clocking
- Dedicated output voltage sensing protection which remains active even when Enable is low.
- Integrated MOSFETs and Bootstrap diode
- Operating junction temp: $-40^{\circ}\text{C} < T_j < 125^{\circ}\text{C}$
- Small Size 5mmx6mm PQFN
- Pb-Free (RoHS Compliant)

DESCRIPTION

The IR38060 PMBus Sup^{IR}Buck™ is an easy-to-use, fully integrated and highly efficient DC/DC regulator with I2C/PMBus interface. The onboard PWM controller and MOSFETs make IR38060 a space-efficient solution, providing accurate power delivery for low output voltage and high current applications.

The IR38060 can be comprehensively configured via PMBus and the configuration stored in internal memory. In addition, PMBus commands allow run-time control, fault status and telemetry.

The IR38060 can also operate as a standard analog regulator without any programming and can provide current and temperature telemetry in an analog format.

APPLICATIONS

Server Applications

Netcomm applications

Embedded telecom Systems

Distributed Point Of Load Architectures

ORDERING INFORMATION

Base Part	Package Type	Standard Pack		Orderable Part Number	Application Description
		Form	Quantity		
IR38060	QFN 5x6 mm	Tape & Reel	4000	IR38060MTRPBF	Standard part, 0.5Vout
				IR38060MBC01TRP	Broadcom SAS34xx, SAS35xx, SAS36xx, SAS37xx
				IR38060MGM09TRP	0.9Vout, 607kHz pre-configured
				IR38060MGM10TRP	1.0Vout, 607kHz pre-configured
				IR38060MGM12TRP	1.2Vout, 607kHz pre-configured
				IR38060MGM18TRP	1.8Vout, 607kHz pre-configured
		250	111-4188PBF	Standard part, 0.5Vout for Distributors	

BASIC APPLICATION

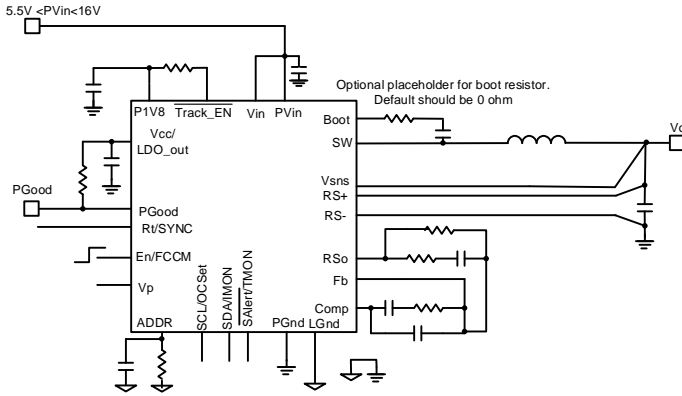


Figure 1: Typical Application Circuit

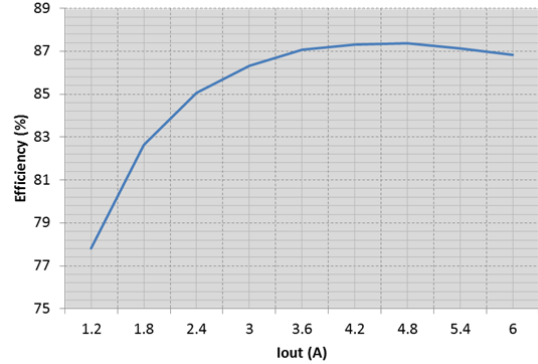


Figure 2: Performance Curve

PINOUT DIAGRAM

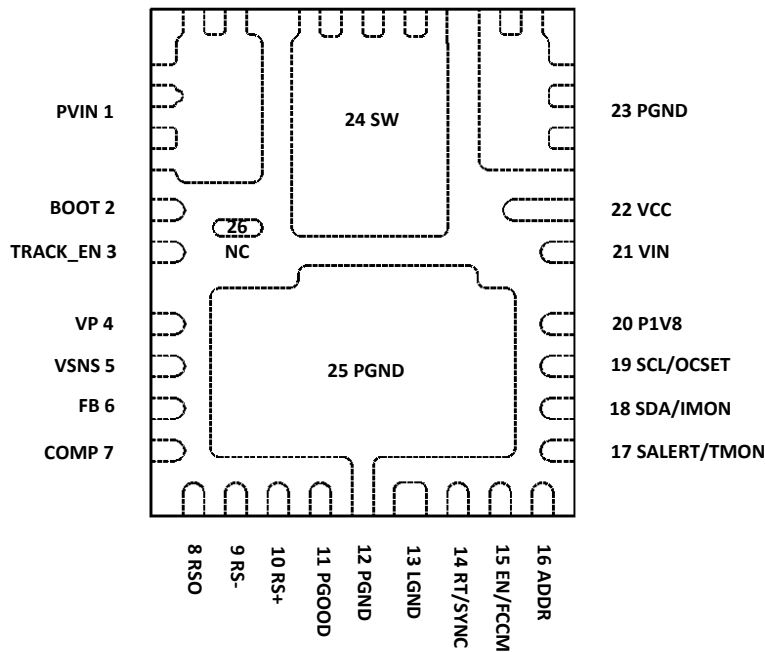


Figure 3: IR38060 package (Top View) 5mm x 6mm PQFN

BLOCK DIAGRAM

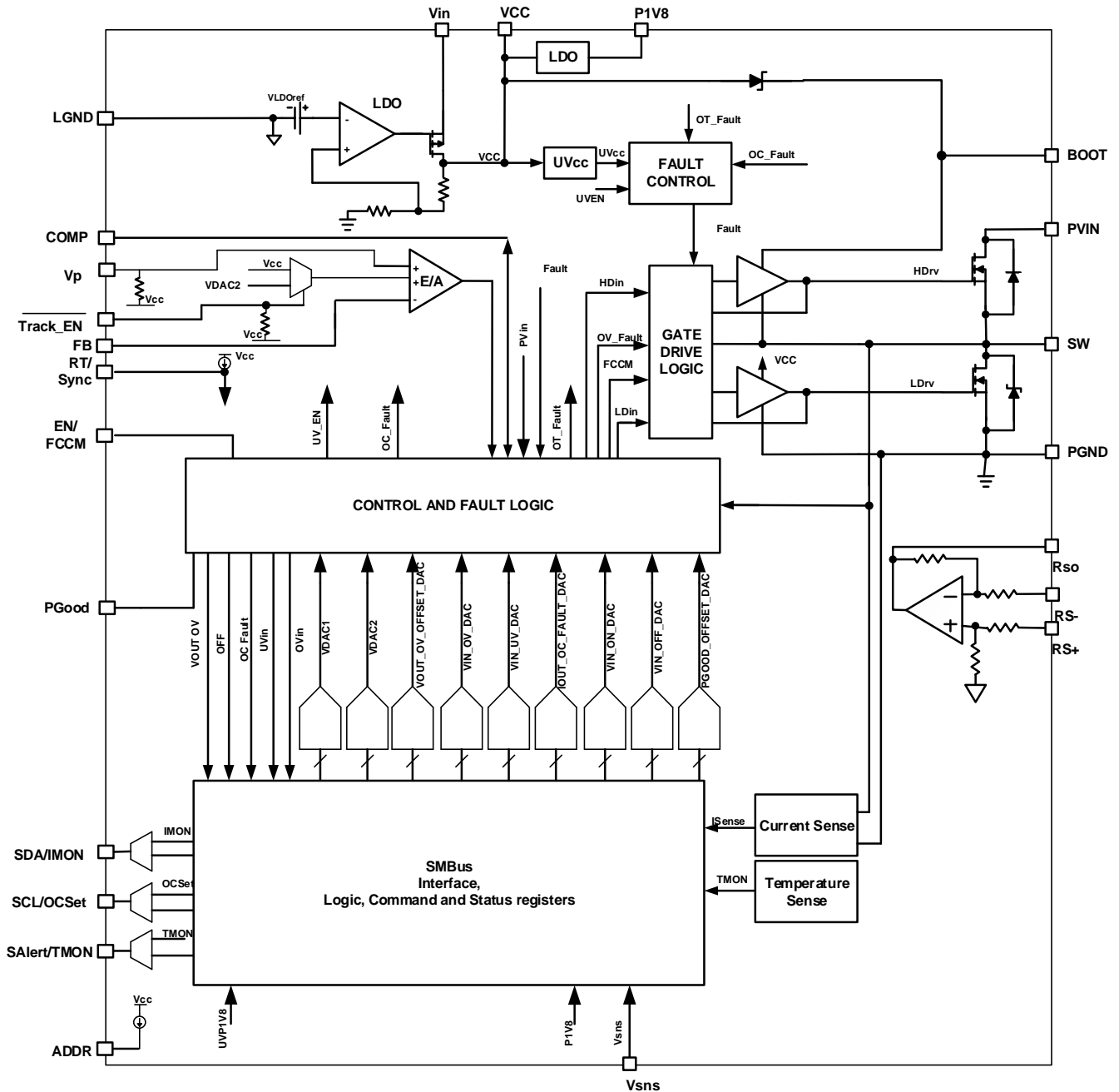


Figure 4: IR38060 Simplified Block Diagram

PIN DESCRIPTIONS

PIN #	PIN NAME	PIN DESCRIPTION
1	PVIN	Input voltage for power stage. Bypass capacitors between PVin and PGND should be connected very close to this pin and PGND. Typical applications use 4 X22 uF input capacitors and a low ESR, low ESL 0.1uF decoupling capacitor in a 0603/0402 case size. A 3.3nF capacitor may also be used in parallel with these input capacitors to reduce ringing on the Sw node.
2	Boot	Supply voltage for high side driver. A 0.1uF capacitor should be connected between the Boot pin and the Sw node. It is recommended to provide a placement for a 0 ohm resistor in series with the capacitor. For applications in which PVin>12V, the value of the series resistor should be chosen to be 1 ohm.
3	Track_En [*]	Pull low to enable tracking function. For normal, non-tracking operation, connect a 100 kOhm resistor from this pin to P1V8. An alternative to using 100kohm to P1V8 is to connect a 750 kohm resistor from Track_En# to LGND when the Track_En# pin is not used for a tracking function. One of these two options must be used to disable tracking functionality. The 100kOhm is the preferred method.
4	Vp	Used for sequencing and tracking applications. Leave open if not used.
5	Vsns	Sense pin for OVP and PGood
6	FB	Inverting input to the error amplifier. This pin is connected directly to the output of the regulator or to the output of the remote sense amplifier, via resistor divider to set the output voltage and provide feedback to the error amplifier.
7	COMP	Output of error amplifier. An external resistor and capacitor network is typically connected from this pin to FB to provide loop compensation.
8	RS _o	Remote Sense Amplifier Output
9	RS-	Remote Sense Amplifier input. Connect to ground at the load.
10	RS+	Remote Sense Amplifier input. Connect to output at the load.
11	PGood	Po Power Good status pin. Output is open drain. Connect a pull up resistor from this pin to VCC. If the power good voltage before VCC UVLO needs to be limited to < 500 mV, use a 49.9K pullup, otherwise a 4.99K pullup will suffice.
12,23,25	PGND	Power ground. This pin should be connected to the system's power ground plane. Bypass capacitors between PVin and PGND should be connected very close to the PVIN pin (pin 1) and this pin.
13	LGND	Signal ground for internal reference and control circuitry.
14	RT/Sync	In analog mode, use an external resistor from this pin to GND to set the switching frequency. The resistor should be placed very close to the pin. This pin can also be used for external synchronization. In digital mode this pin is typically left floating however a 15K resistor from this pin to GND may be used instead of floating the pin.
15	EN/FCCM	Enable pin to turn on and off the IC. In analog mode, also serves as a mode pin, forcing the converter to operate in CCM when pulled to <3.1V.
16	ADDR	A resistor should be connected from this pin to LGnd to set the PMBus address offset for the device. It is recommended to provide a placement for a 10 nF capacitor in parallel with the offset resistor. If communication is not needed, as in analog mode, this pin should be left floating.

PIN #	PIN NAME	PIN DESCRIPTION
17	SALERT /TMON	SMBus Alert line; open drain SMBALERT# pin. This should be pulled up to 3.3V-5V with a 1K-5K resistor; this pin provides a voltage proportional to the junction temperature if digital communication is not needed, as in analog mode.
18	SDA/IMON	SMBus data serial input/output line; This should be pulled up to 3.3V-5V with a 1K-5K resistor; this pin provides a voltage proportional to the output current if digital communication is not needed, as in analog mode.
19	SCL/OCSet	SMBus clock line; This should be pulled up to 3.3V-5V with a 1K-5K resistor. This pin is used to set OC thresholds if digital communication is not needed, as in analog mode. In analog mode recommend 4.7K Ω for the pull-up to VCC or pull down to GND when setting the OCP value.
20	P1V8	This is the supply for the digital circuits; bypass with a minimum 2.2uF capacitor to PGnd. A 10uF capacitor is recommended.
21	Vin	Input Voltage for LDO.
22	VCC	Bias Voltage for IC and driver section, output of LDO. Add 10 uF bypass cap from this pin to PGnd.
24	SW	Switch node. This pin is connected to the output inductor.
26	NC	NC

*Design has simulated the Track_En# input threshold test for a 750K over:

- the temperature range of -40 to 150degC,
- Vcc of 4.5V to 5.5V
- Over all corners of silicon

ABSOLUTE MAXIMUM RATINGS

Stresses beyond these listed under “Absolute Maximum Ratings” may cause permanent damage to the device. These are stress ratings only and functional operation of the device at these or any other conditions beyond those indicated in the operational sections of the specifications are not implied.

PVin, Vin	-0.3V to 25V
VCC	-0.3V to 6V
P1V8	-0.3V to 2 V
SW	-0.3V to 25V (DC), -4V to 25V (AC, 100ns)
BOOT	-0.3V to 31V
PGD, other Input/output pins	-0.3V to 6V (Note 1)
BOOT to SW	-0.3V to 6V (DC), -0.3V to 6.5V (AC, 100ns)
PGND to GND, RS- to GND	-0.3V to + 0.3V
THERMAL INFORMATION	
Junction to Ambient Thermal Resistance Θ_{JA}	30°C/W
Junction to PCB Thermal Resistance Θ_{J-PCB}	2°C/W
Storage Temperature Range	-55°C to 150°C
Junction Temperature Range	-40°C to 150°C

(Voltages referenced to GND unless otherwise specified)

Note 1: Must not exceed 6V.

ELECTRICAL SPECIFICATIONS

RECOMMENDED OPERATING CONDITIONS

SYMBOL	DEFINITION	MIN	MAX	UNITS
PVin	Input Bus Voltage	1.2	16*	V
Vin	LDO supply voltage	5.5	16	
VCC	LDO output/Bias supply voltage	4.5	5.5	
Boot to SW	High Side driver gate voltage	4.5	5.5	
V _O	Output Voltage	0.5	0.875*PV _{in}	
I _O	Output Current	0	6	A
Fs	Switching Frequency	225	1650	kHz
T _J	Junction Temperature	-40	125	°C

* SW Node must not exceed 25V

ELECTRICAL CHARACTERISTICS

Unless otherwise specified, these specification apply over, 1.5V < PVin < 16V, 4.5V < Vcc < 5.5, 0°C < T_J < 125°C.

Typical values are specified at T_A = 25°C.

PARAMETER	SYMBOL	CONDITIONS	MIN	TYP	MAX	UNIT
MOSFET R_{ds(on)}						
Top Switch	Rds(on)_Top	V _{Boot} – V _{SW} = 5V, I _D = 6A, T _J = 25°C	14	21	27	mΩ
Bottom Switch	Rds(on)_Bot	V _{CC} = 5V, I _D = 6A, T _J = 25°C	6	9	12	
Reference Voltage						
Accuracy 0°C < T _J < 85°C		1.25V < V _{FB} < 2.555V VOUT_SCALE_LOOP=1;	-1		+1	%
		0.75V < V _{FB} < 1.25V VOUT_SCALE_LOOP=1;	-0.75		+0.75	
		0.45V < V _{FB} < 0.75V VOUT_SCALE_LOOP=1;	-0.5		+0.5	%
Accuracy -40°C < T _J < 125°C		1.25V < V _{FB} < 2.555V VOUT_SCALE_LOOP=1;	-1.6		+1.6	%

PARAMETER	SYMBOL	CONDITIONS	MIN	TYP	MAX	UNIT
		0.75V<V _{FB} <1.25V VOUT_SCALE_LOOP=1;	-1.0		+1.0	%
		0.45V<V _{FB} <0.75V VOUT_SCALE_LOOP=1;	-2.0		+2.0	%
Supply						
PVin range (using external Vcc=5.1V)				1.2-16		V
Vin range (using internal LDO)		Fsw=600kHz		5.3-16		V
		Fsw=1.5MHz		5.5-16		
Vin range (when Vin=Vcc)			4.5	5.1	5.5	V
V _{in} Supply Current (Standby) (internal Vcc)	I _{in(Standby)}	Enable low, No Switching, Vin=16V, low power mode enabled		2.7	4	mA
V _{in} Supply Current (Dyn)(internal Vcc)	I _{in(Dyn)}	Enable high, Fs = 600kHz, Vin=16V		22	30	mA
VCC Supply Current (Standby)(external Vcc)	I _{cc(Standby)}	Enable low, No Switching, Vcc=5.5V, low power mode enabled		2.7	5	mA
VCC Supply Current (Dyn)(external Vcc)	I _{cc(Dyn)}	Enable high, Fs = 600kHz, Vcc=5.5V		22	40	mA
Under Voltage Lockout						
VCC – Start – Threshold	VCC_UVLO_Start	VCC Rising Trip Level	4.0	4.2	4.4	V
VCC – Stop – Threshold	VCC_UVLO_Stop	VCC Falling Trip Level	3.7	3.9	4.1	
PVin-Start-Threshold	PVin_UVLO_Start	PVin Rising Trip Level	0.85	0.95	1.05	V
PVin-Stop-Threshold	PVin_UVLO_Stop	PVin Falling Trip Level	0.35	0.45	0.55	
Enable – Start – Threshold	Enable_UVLO_Start	Supply ramping up	1.14	1.2	1.36	V
Enable – Stop – Threshold	Enable_UVLO_Stop	Supply ramping down	0.9	1.0	1.06	
Enable leakage current	I _{en}	Enable=5.5V			1	uA
Oscillator						
Rt current (analog mode only)		Rt pin voltage < 1.1V	98	100	102	uA
Frequency Range	F _s	Rt=1.54K	360	400	440	kHz
		Rt=3.83K	540	600	660	
		Rt=11.8K	1350	1500	1650	
Min Pulse Width	D _{min} (ctrl)	Note 2		35	50	ns
Fixed Off Time		Note 2 Fs=1.5MHz		100	150	ns

PARAMETER	SYMBOL	CONDITIONS	MIN	TYP	MAX	UNIT
Max Duty Cycle	Dmax	Fs=400kHz	86.5	87.5	88.5	%
Sync Frequency Range		Note 2	225		1650	kHz
Sync Pulse Duration			100	200		ns
Sync Level Threshold	High		2.1			V
	Low				1	
Error Amplifier						
Input Offset Voltage	Vos_Vp	VFb – Vp, Vp = 0.5V	-1.5		+1.5	%
Input Bias Current	IFb(E/A)		-0.5		+0.5	μA
Input Bias Current	IVp(E/A)		0		7	μA
Sink Current	Isink(E/A)		0.6	1.1	1.8	mA
Source Current	Isource(E/A)		8	13	25	mA
Slew Rate	SR	Note 2	7	12	20	V/μs
Maximum Voltage	Vmax(E/A)		2.8	3.9	4.3	V
Minimum Voltage	Vmin(E/A)				100	mV
Common Mode Voltage	Vcm_Vp	Note 2	0		2.555	V
Remote Sense Differential Amplifier						
Offset Voltage	Offset_RS	0.5V<RS+<2.555V, 4kΩ load 27°C<Tj<85°C	-1.6	0	1.6	mV
		0.5V<RS+<2.555V, 4kΩ load -40°C<Tj<125°C	-3		3	
Source Current	Isource_RS	V_RSO=1.5V, V_RSP=4V	11		16	mA
Sink Current	Isink_RS		0.4	1	2	mA
Slew Rate	Slew_RS	Note 2, Cload = 100pF	2	4	8	V/μs
RS+ input impedance	Rin_RS+		36	55	74	Kohm
RS- input impedance	Rin_RS-	Note 2	36	55	74	Kohm
Maximum Voltage	Vmax_RS	V(VCC) – V(RS+)	0.5	1	1.5	V
Minimum Voltage	Min_RS			4	20	mV
Bootstrap Diode						
Forward Voltage		I(Boot) = 40mA	150	300	450	mV
Switch Node						
SW Leakage Current	Isw	SW = 0V, Enable = 0V			1	μA
	Isw_En	SW=0; Enable= 2V		18		
Internal Regulator (VCC/LDO)						
Output Voltage	VCC	Vin(min) = 5.5V, Io=0mA, Cload = 10uF	4.8	5.15	5.4	V
		Vin(min) = 5.5V, Io=70mA, Cload = 10uF	4.5	4.99	5.2	

PARAMETER	SYMBOL	CONDITIONS	MIN	TYP	MAX	UNIT
VCC dropout	VCC_drop	I _o =0-70mA, C _{load} = 10uF, V _{in} =5.1V			0.7	V
Short Circuit Current	I _{short}			110		mA
Internal Regulator (P1V8)						
Output Voltage	P1V8	V _{in} (min) = 4.5V, I _o = 0-10mA, C _{load} = 2.2uF	1.795	1.83	1.905	V
1.8V Short Circuit Current	I _{short_P1V8}		12	20	35	mA
1.8V UVLO Start	P1V8_UVLO_Start	1.8V Rising Trip Level	1.66	1.72	1.78	V
1.8V UVLO Stop	P1V8_UVLO_Stop	1.8V Falling Trip Level	1.59	1.63	1.68	V
Adaptive On time Mode						
AOT Threshold	High	En/Fccm	3.8	3.9	4.1	V
	Low		3.1	3.6	3.8	
Zero-crossing comparator threshold	ZC_Vth		-4	-1	2	mV
Zero-crossing comparator delay	ZC_Tdly			8/Fs		S
FAULTS						
Power Good						
Power Good High threshold	Power_Good_High	V _{sns} rising, VOUT_SCALE_LOOP=1, Track_EN floating, VDAC1=0.5V		91		%VDAC1
		V _{sns} rising, VOUT_SCALE_LOOP=1, Track_EN low, V _p =0.5V		90		%V _p
Power Good Low Threshold	Power_Good_Low	V _{sns} falling, VOUT_SCALE_LOOP=1, Track_EN floating, VDAC1=0.5V		86		%VDAC1
		V _{sns} falling, VOUT_SCALE_LOOP=1, Track_EN low, V _p =0.5V		84.5		%V _p
Power Good High Threshold Rising Delay	TPDLY	V _{sns} rising, V _{sns} > Power_Good_High		0		Ms
Power Good Low Threshold Falling delay	VPG_low_Dly	V _{sns} falling, V _{sns} < Power_Good_Low	150	175	200	Us
Tracker Comparator Upper Threshold	VPG(tracker_upper)	V _p Rising, VOUT_SCALE_LOOP=1, Track_EN low, V _{sns} =V _p	0.38	0.4	0.42	V
Tracker Comparator Lower Threshold	VPG(tracker_lower)	V _p Falling, VOUT_SCALE_LOOP=1, Track_EN low, V _{sns} =V _p	0.28	0.3	0.32	V
PGood Voltage Low	PG (voltage)	I _{PGood} = -5mA			0.5	V

PARAMETER	SYMBOL	CONDITIONS	MIN	TYP	MAX	UNIT
Over Voltage Protection (OVP)						
OVP Trip Threshold	OVP (trip)	Vsns rising, VOUT_SCALE_LOOP=1, Track_EN floating, VDAC1=0.5V	115	121	125	%VDAC1
		Vsns rising, VOUT_SCALE_LOOP=1, Track_EN low, Vp=0.5V	115	120	125	%Vp
OVP comparator Hysteresis	OVP (hyst)	Vsns falling, VOUT_SCALE_LOOP=1, Track_EN floating, VDAC1=0.5V	2.5	4.5	5.8	%OVP (trip)
		Vsns falling, VOUT_SCALE_LOOP=1, Track_EN low, Vp=0.5V	2.5	4.5	5.8	%OVP (trip)
OVP Fault Prop Delay	OVP (delay)	Vsns rising, Vsns-OVP(trip)>200 mV		200		Ns
Over-Current Protection						
OC Trip Current	I _{TRIP}	Analog mode: OCSet pulled high to VCC via resistor. VCC = 5.05V, T _j =25 ^o C	8.1	9	9.9	A
		Analog mode: OCSet left floating. VCC = 5.05V, T _j =25 ^o C	5.4	6	6.7	A
		Analog mode: OCSet pulled low to GND via resistor. VCC = 5.05V, T _j =25 ^o C	2.4	3	3.6	A
OCset Current Temperature coefficient	OCSET(temp)	-40 ^o C to 125 ^o C, VCC=5.2V, Note 2		4500		ppm/ ^o C
Hiccup blanking time	Tblk_Hiccup	Note 2		20		Ms
Thermal Shutdown						
Thermal Shutdown		Note 2		145		^o C
Hysteresis		Note 2		25		^o C
Input Over-Voltage Protection						
PVin overvoltage threshold	PVin _{ov}		22	23.7	25	V
PVin overvoltage Hysteresis	PVin _{ov hyst}			2.4		V
MONITORING AND REPORTING						
Bus Speed				100	400	kHz
Iout & Vout filter				78		Hz
Iout & Vout Update rate				31.25		kHz

PARAMETER	SYMBOL	CONDITIONS	MIN	TYP	MAX	UNIT
Vin & Temperature filter				78		Hz
Vin & Temperature update rate				31.25		kHz
Output Voltage Reporting						
Resolution	N _{Vout}	Note 2		1/256		V
Lowest reported Vout	V _{omon_low}	V _{sns} =0V		0		V
Highest reported Vout	V _{omon_high}	VOUT_SCALE_LOOP=1, V _{sns} =3.3V		3.3		V
		VOUT_SCALE_LOOP=0.5, V _{sns} =3.3V		6.6		V
		VOUT_SCALE_LOOP=0.25, V _{sns} =3.3V		13.2		V
		VOUT_SCALE_LOOP=0.125, V _{sns} =3.3V		26.4		V
Vout reporting accuracy		0°C to 85°C, 4.5V<V _{cc} <5.5V, 1V<V _{sns} ≤ 1.5V VOUT_SCALE_LOOP=1		+/-0.6		%
		0°C to 85°C, 4.5V<V _{cc} <5.5V, V _{sns} > 1.5V VOUT_SCALE_LOOP=1		+/-1		
		0°C to 125°C, 4.5V<V _{cc} <5.5V, V _{sns} >0.9V VOUT_SCALE_LOOP=1		+/-1.5		
		0°C to 125°C, 4.5V<V _{cc} <5.5V, 0.5V<V _{sns} <0.9V VOUT_SCALE_LOOP=1		+/-3		
Iout Reporting						
Resolution	N _{Iout}	Note 2		62.5		mA
Iout (digital) monitoring Range	I _{out_dig}		0		10	A
Iout_dig Accuracy		0°C to 125°C, 4.5V<V _{cc} <5.5V, I _{out} =6A		+/-5		%
I _{mon} (analog) voltage	I _{mon}		0.3		1.1	V
I _{mon} (analog) accuracy		0°C to 125°C, 4.5V<V _{cc} <5.5V, I _{out} =6A, -30uA< I _{IMON} <30uA		+/-1		A
Temperature Reporting						
Resolution	N _{Tmon}	Note 2		1		°C
Temperature Monitoring (digital) Range	T _{mon_dig}		-40		150	°C

PARAMETER	SYMBOL	CONDITIONS	MIN	TYP	MAX	UNIT
Temperature Monitoring (digital) accuracy		-40°C to 125°C, 4.5V<Vcc<5.5V, -30uA<I_TMON<30uA; Guaranteed by char	-5		5	°C
Analog monitoring range	Tmon	-40°C to 150°C	500		1100	mV
Analog Monitoring Accuracy		-40°C to 125°C, 4.5V<Vcc<5.5V, -30uA<I_TMON<30uA, Note 2	-9		9	°C
Temperature coefficient				2.27		mV/°C
Thermal shutdown hysteresis		Note 2		25		°C
Input Voltage Reporting						
Resolution	N _{PVin}	Note 2		1/32		V
Monitoring Range	PMBVinmon		0		16	V
Monitoring accuracy		0°C to 85°C, 4.5V<Vcc<5.5V, PVin>10V	-1.5		1.5	%
		-40°C to 125°C, 4.5V<Vcc<5.5V, PVin>14V	-1.5		1.5	
		-40°C to 125°C, 4.5V<Vcc<5.5V, 6V<PVin<14V	-3		3	
PMBus Interface Timing Specifications						
Bus Free time between Start and Stop condition	T _{BUF}		1.3			us
Hold time after (Repeated) Start Condition. After this period, the first clock is generated.	T _{HD:STA}		0.6			us
Repeated start condition setup time	T _{SU:STA}		0.6			us
Stop condition setup time	T _{SU:STO}		0.6			us
Data Rising Threshold			1.339		1.766	V
Data Falling Threshold			1.048		1.495	V
Clock Rising Threshold			1.339		1.766	V
Clock Falling Threshold			1.048		1.499	V
Data Hold Time	T _{HD:DAT}		300		900	ns
Data Setup Time	T _{SU:DAT}		100			ns
Clock low time out	T _{TIMEOUT}		25		35	ms
Clock low period	T _{LOW}		1.3			us

PARAMETER	SYMBOL	CONDITIONS	MIN	TYP	MAX	UNIT
Clock High Period	T_{HIGH}		0.6		50	us

Notes

2. Guaranteed by design but not tested in production
3. Guaranteed by statistical correlation, but not tested in production

TYPICAL APPLICATION DIAGRAMS

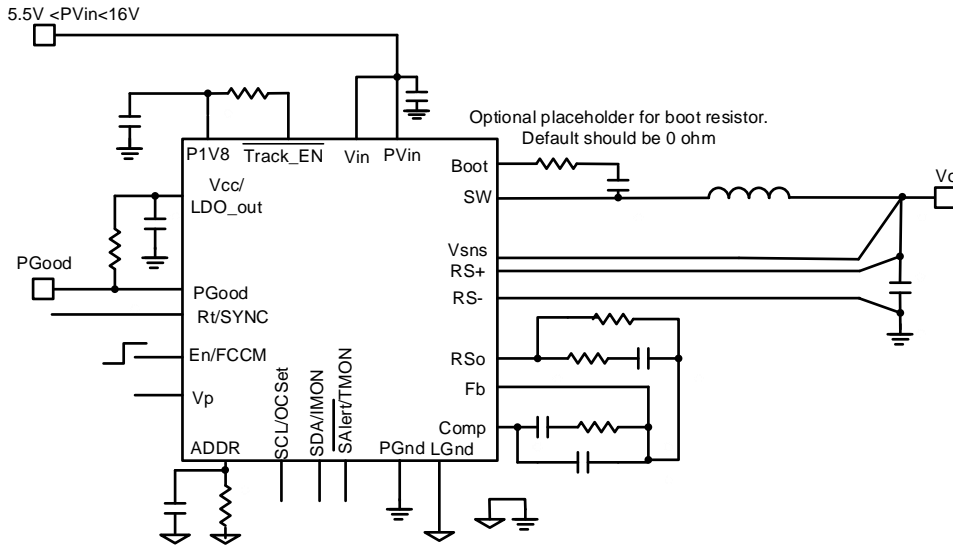


Figure 5: Using the internal LDO, digital mode, $V_o < 2.555V$

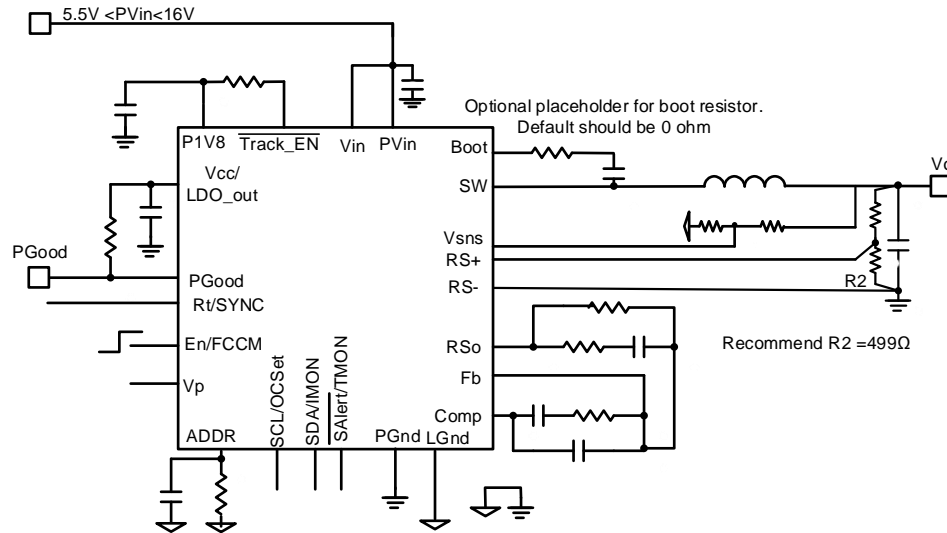


Figure 6: Using the internal LDO, digital mode, $V_o > 2.555V$

TYPICAL APPLICATION DIAGRAMS

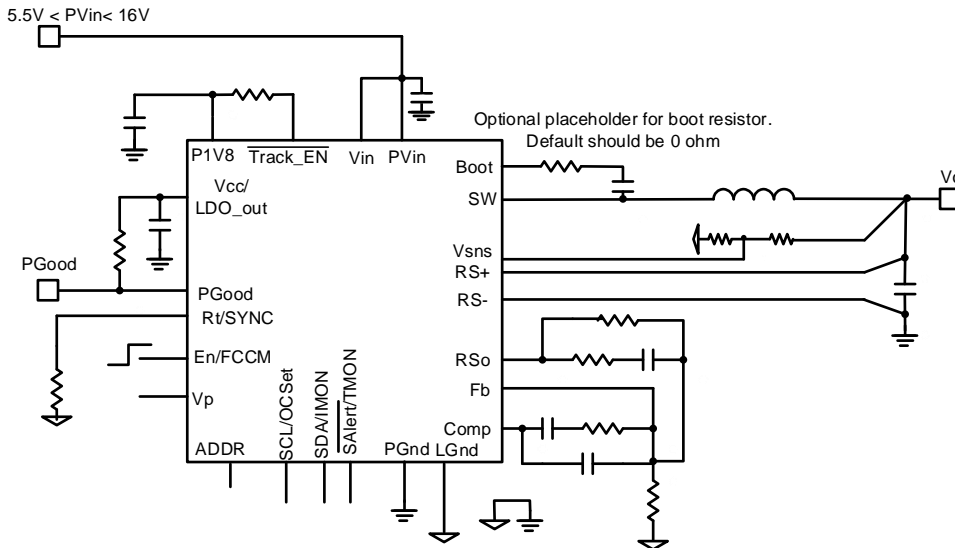


Figure 7: Using the internal LDO, analog mode, Vo < 2.555V

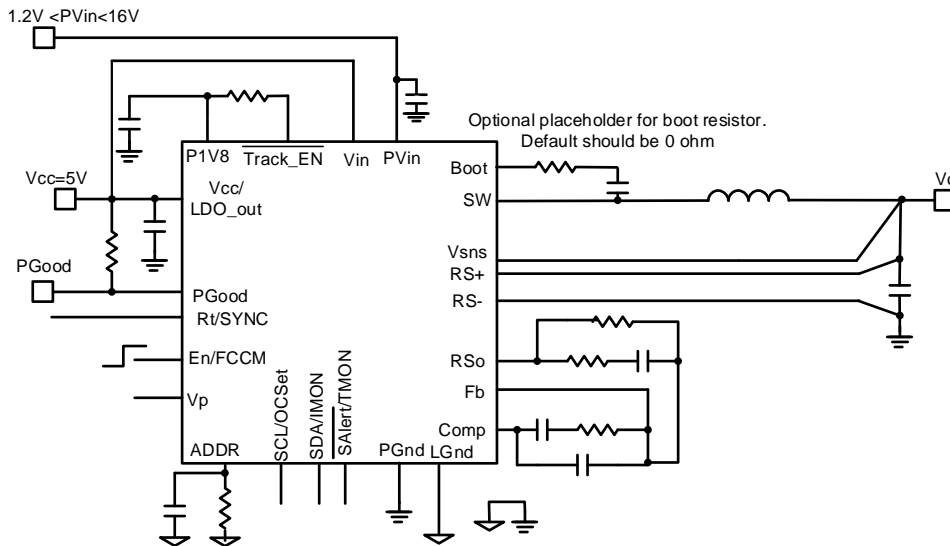


Figure 8: Using external Vcc, digital mode, Vo < 2.555V

TYPICAL APPLICATION DIAGRAMS

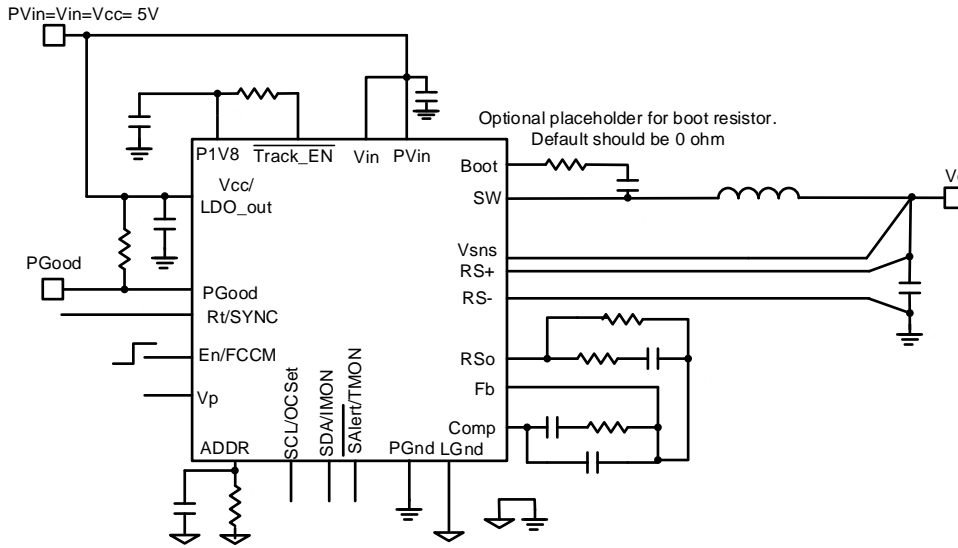


Figure 9: Single 5V application, digital mode, $V_o < 2.555V$

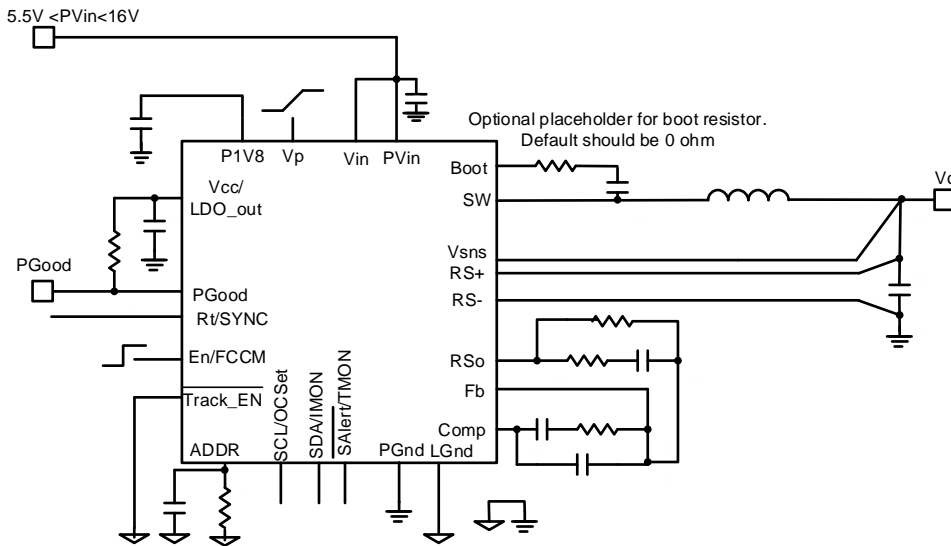
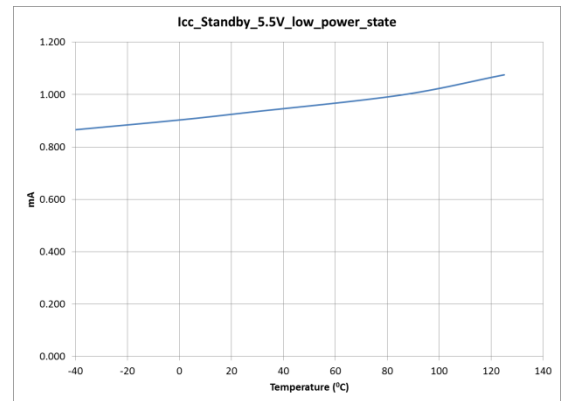
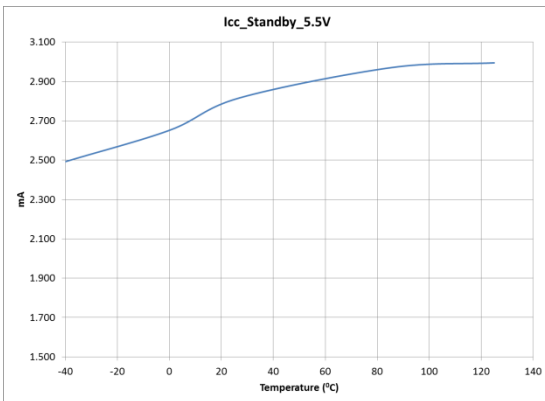
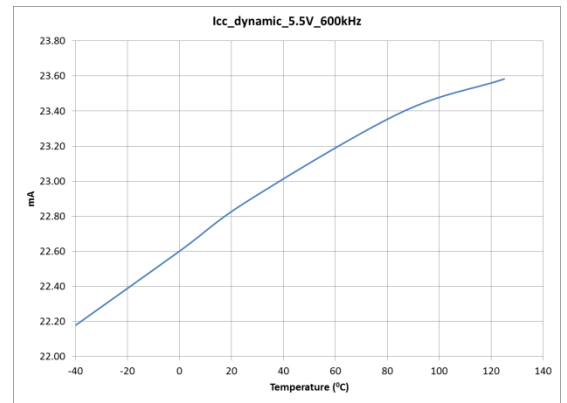
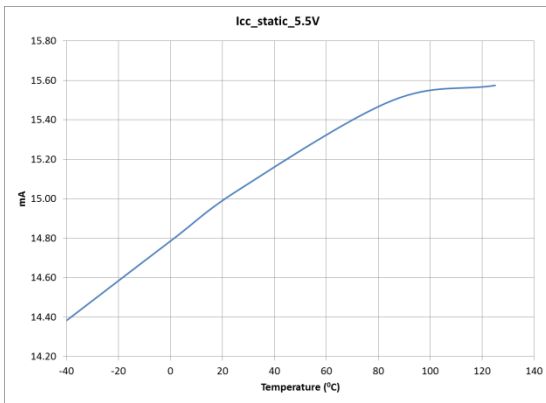
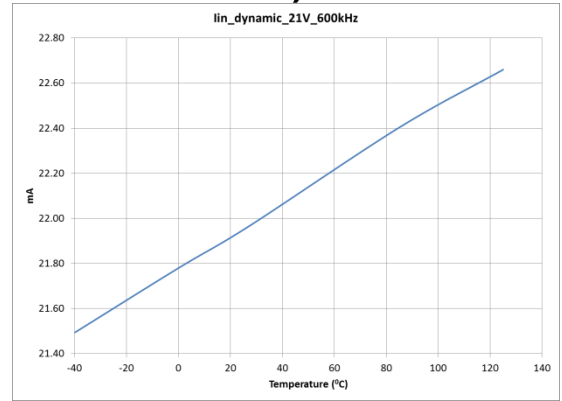
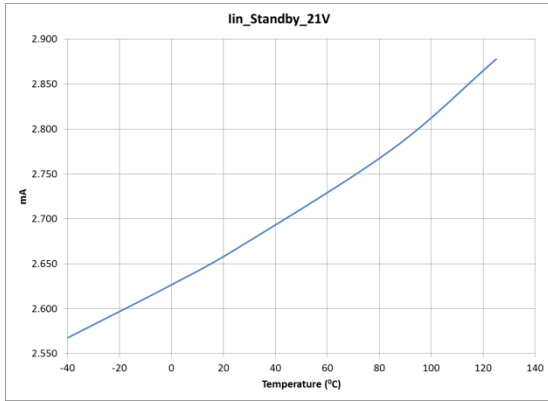
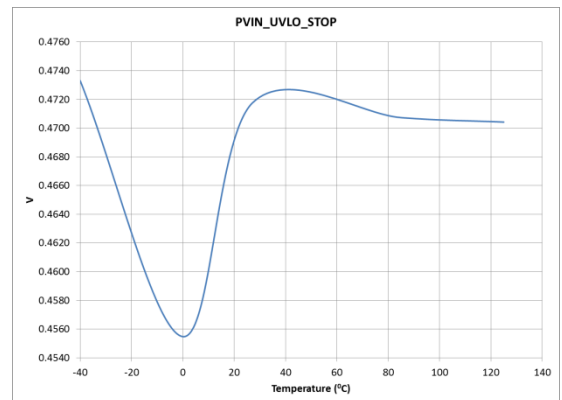
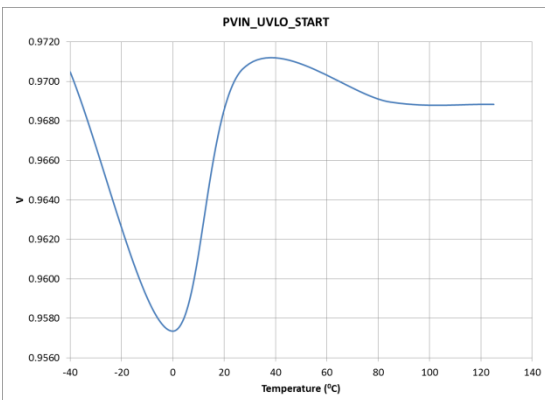
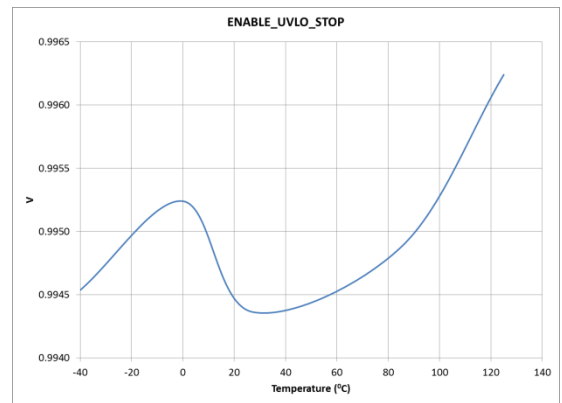
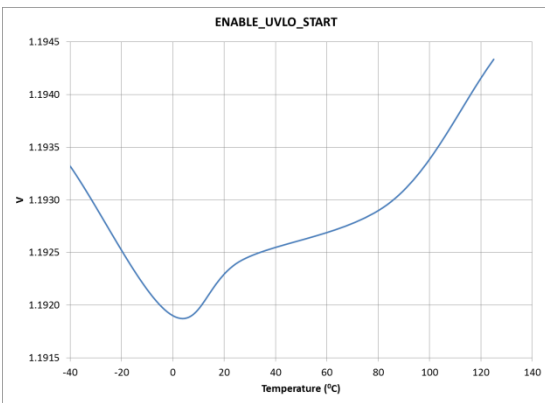
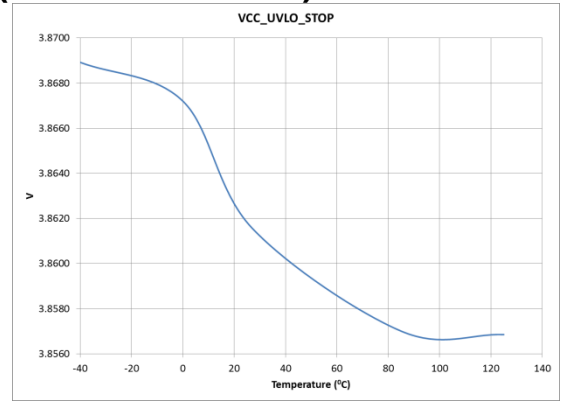
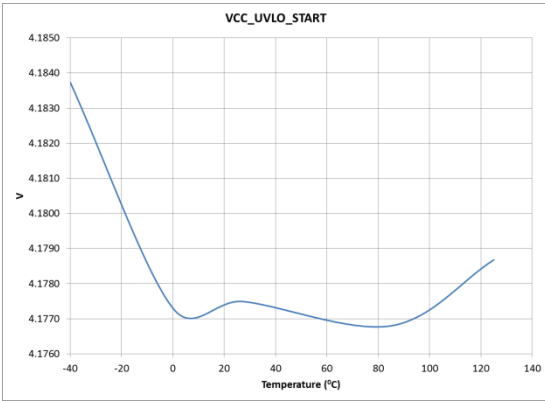


Figure 10: Using the internal LDO, digital mode, tracking mode

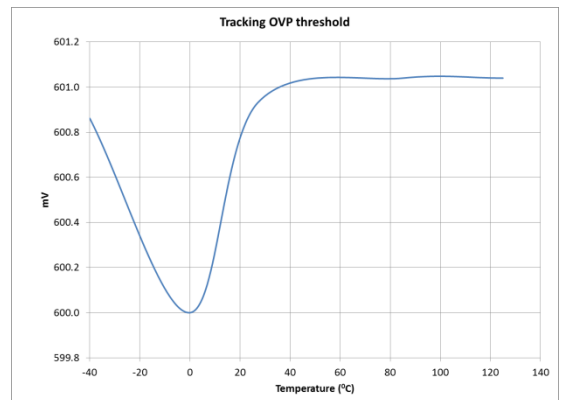
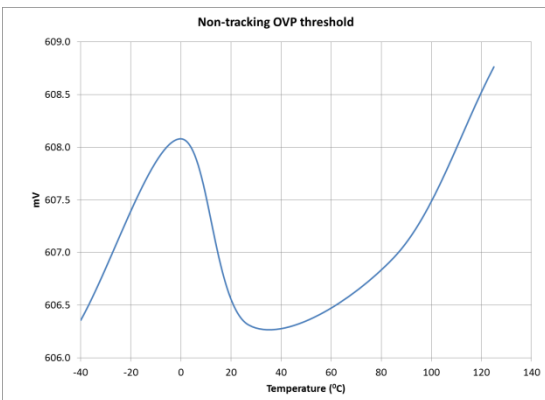
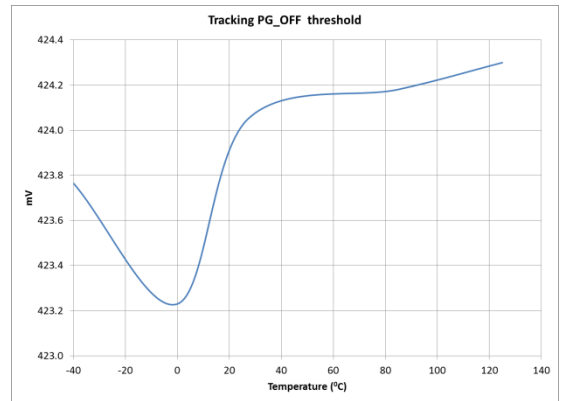
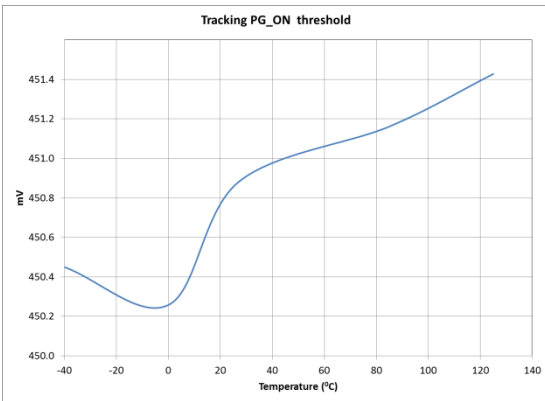
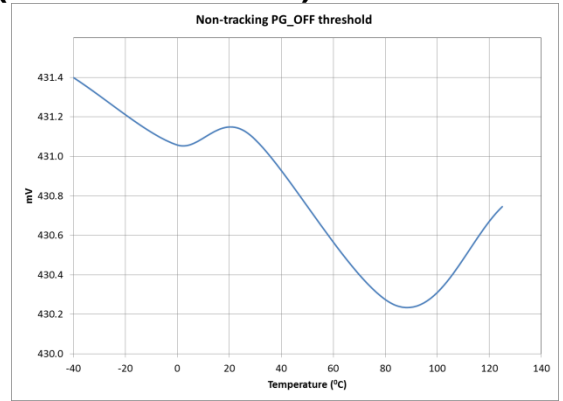
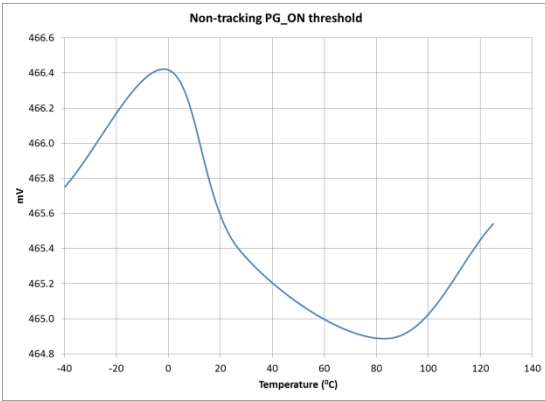
TYPICAL OPERATING CHARACTERISTICS (-40°C TO +125°C)



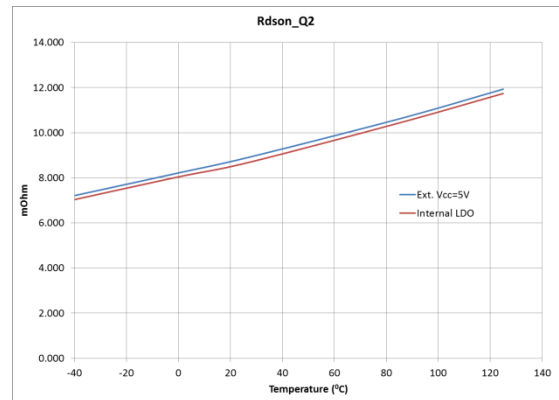
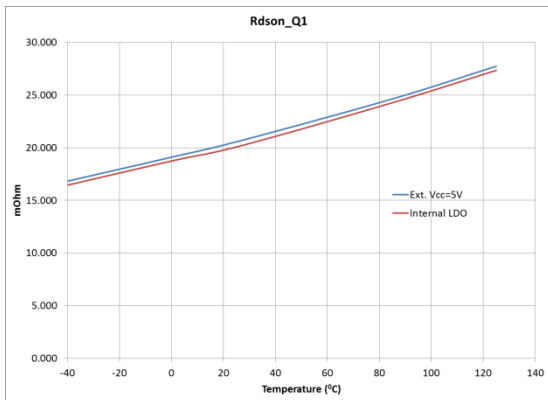
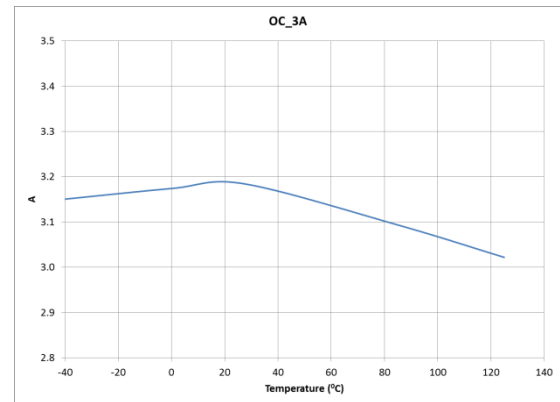
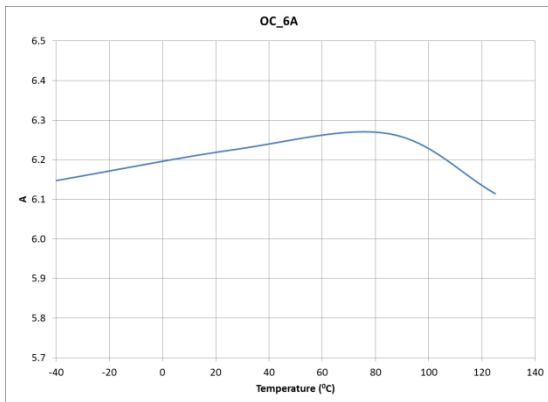
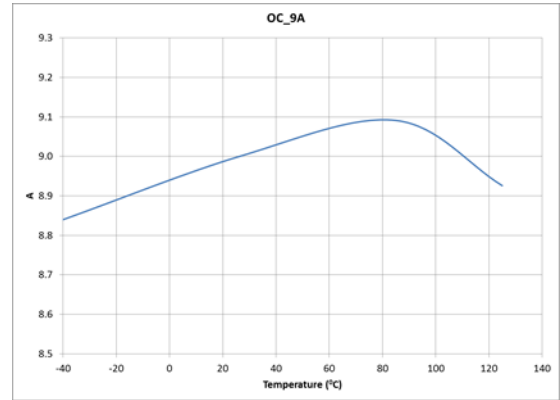
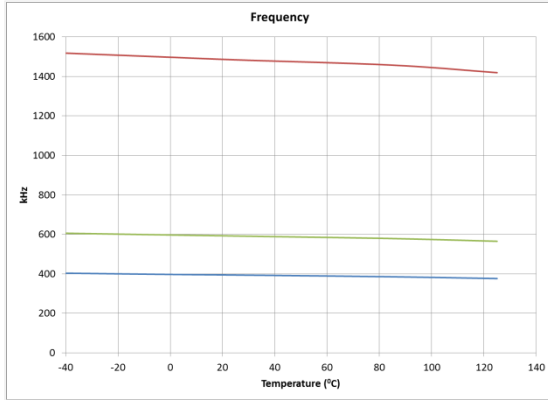
TYPICAL OPERATING CHARACTERISTICS (-40°C TO +125°C)



TYPICAL OPERATING CHARACTERISTICS (-40°C TO +125°C)



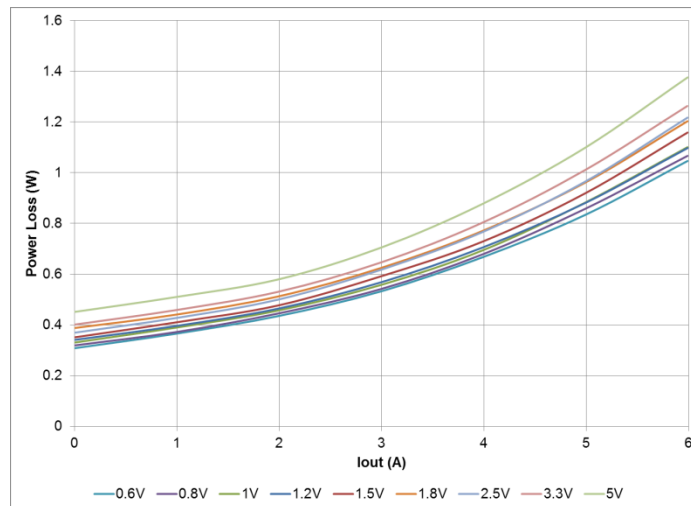
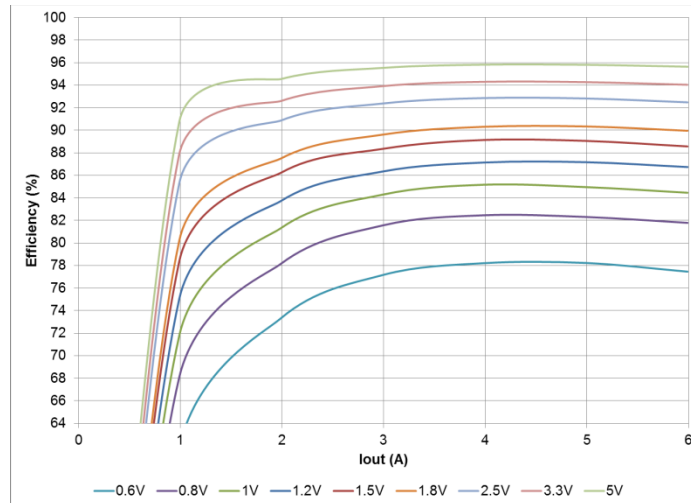
TYPICAL OPERATING CHARACTERISTICS (-40°C TO +125°C)



TYPICAL EFFICIENCY AND POWER LOSS CURVES

$P_{Vin} = V_{in} = 12V$, $V_{CC} = \text{Internal LDO}$, $I_o=0-6A$, $F_s= 600kHz$, Room Temperature, No Air Flow. Note that the losses of the inductor, input and output capacitors are also considered in the efficiency and power loss curves. The table below shows the indicator used for each of the output voltages in the efficiency measurement.

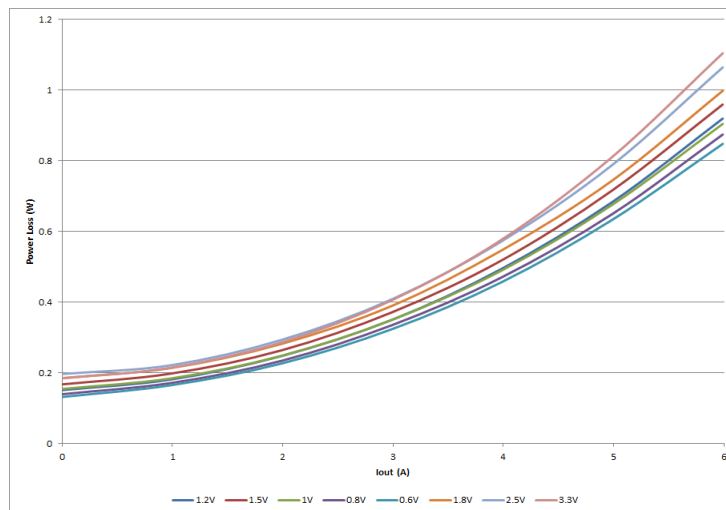
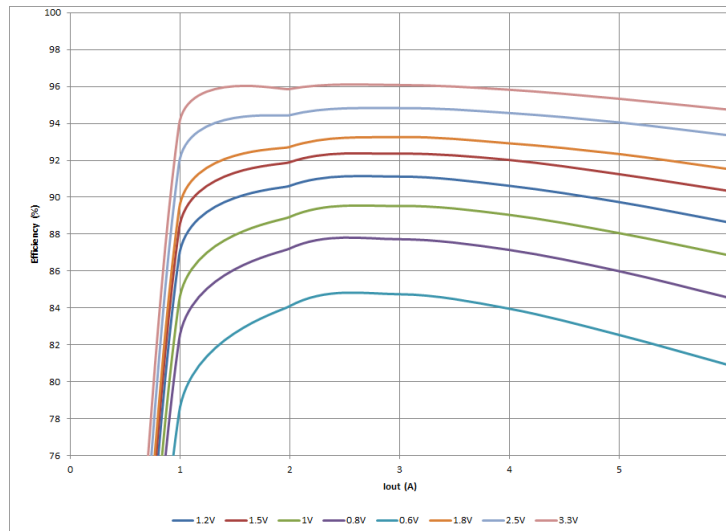
VOUT (V)	LOUT (μH)	P/N	DCR (mΩ)
0.6	0.82	SPM6550T-R82M (TDK)	4.3
0.8	0.82	SPM6550T-R82M (TDK)	4.3
1	0.82	SPM6550T-R82M (TDK)	4.3
1.2	1.0	SPM6550T-1R0M (TDK)	4.7
1.5	1.0	SPM6550T-1R0M (TDK)	4.7
1.8	1.0	SPM6550T-1R0M (TDK)	4.7
2.5	2.2	WE-7443340220 (WE)	4.4
3.3	2.2	WE-7443340220 (WE)	4.4
5	2.2	WE-7443340220 (WE)	4.4



TYPICAL EFFICIENCY AND POWER LOSS CURVES

$P_{Vin} = V_{in} = V_{CC} = 5V$, $I_o=0-6A$, $F_s= 600kHz$, Room Temperature, No Air Flow. Note that the losses of the inductor, input and output capacitors are also considered in the efficiency and power loss curves. The table below shows the indicator used for each of the output voltages in the efficiency measurement.

VOUT (V)	LOUT (μH)	P/N	DCR (mΩ)
0.6	0.82	SPM6550T-R82M (TDK)	4.3
0.8	0.82	SPM6550T-R82M (TDK)	4.3
1	0.82	SPM6550T-R82M (TDK)	4.3
1.2	0.82	SPM6550T-R82M (TDK)	4.3
1.5	0.82	SPM6550T-R82M (TDK)	4.3
1.8	0.82	SPM6550T-R82M (TDK)	4.3
2.5	0.82	SPM6550T-R82M (TDK)	4.3
3.3	0.82	SPM6550T-R82M (TDK)	4.3



THEORY OF OPERATION

DESCRIPTION

The IR38060 is a 6A synchronous buck regulator with a selectable digital interface and an externally compensated fast, analog, PWM voltage mode control scheme to provide good noise immunity as well as fast dynamic response in a wide variety of applications. At the same time, enabling the digital PMBus interface allows complete configurability of output setting and fault functions, as well as telemetry.

The switching frequency is programmable to 1.5MHz and provides the capability of optimizing the design in terms of size and performance.

IR38060 provides precisely regulated output voltage from 0.5V to 0.875*P_{Vin} programmed via two external resistors or digitally through PMBus commands. The IR38060 operates with an internal bias supply (LDO), typically 5.2V. This allows operation with a single supply. The output of this LDO is brought out at the V_{cc} pin and may be bypassed to the system power ground with a 10 uF decoupling capacitor. The V_{cc} pin may also be connected to the V_{in} pin, and an external V_{cc} supply between 4.5V and 5.5V may be used, allowing an extended operating bus voltage (P_{Vin}) range from 1.2V to 16V.

The device utilizes the on-resistance of the low side MOSFET (synchronous MOSFET) as current sense element. This method enhances the converter's efficiency and reduces cost by eliminating the need for external current sense resistor.

IR38060 includes two low R_{ds(on)} MOSFETs using IR's HEXFET technology. These are specifically designed for high efficiency applications.

DEVICE POWER-UP AND INITIALIZATION

During the power-up sequence, when V_{in} is brought up, the internal LDO converts it to a regulated 5.2V at V_{cc}. There is another LDO which further converts this down to 1.8V to supply the internal digital circuitry. An under-voltage lockout circuit monitors the voltage of V_{cc} pin and the P1V8 pin, and holds

the Power-on-reset (POR) low until these voltages exceed their thresholds and the internal 48 MHz oscillator is stable. When the device comes out of reset, it initializes a multiple times programmable memory (MTP) load cycle, where the contents of the MTP are loaded into the working registers. Once the registers are loaded from MTP, the designer can use PMBus commands to re-configure the various parameters to suit the specific VR design requirements if desired, irrespective of the status of Enable.

In the default configuration, power conversion is enabled only when the En/FCCM pin voltage exceeds its undervoltage threshold, the P_{Vin} bus voltage exceeds its undervoltage threshold, the contents of the MTP have been fully loaded into the working registers and the device address has been read. The initialization sequence is shown in Figure Figure 11.

IR38060 provides additional options to enable the device power conversion through software and these options may be configured to override the default by using the I2C interface or PMBus, if used in digital mode. For further details see UN0060 IR3806x PMBus commandset user note.

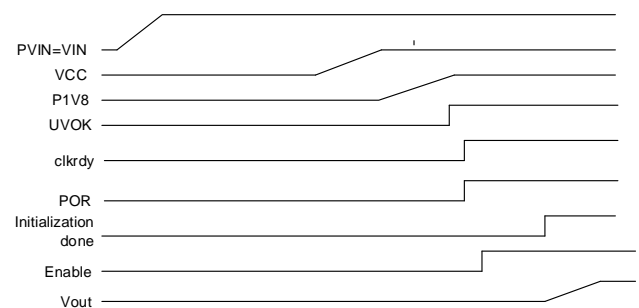


Figure 11: IR38060 Initialization sequence

ANALOG AND DIGITAL MODE OPERATION

The IR38060 has 2 7-bit registers that are used to set the base I2C address and base PMBus address of the device, as shown below in Table 1.

Table 1: Registers used to set device base address

Register	Description
I2c_address[6:0]	The chip I2C address. An address of 0 will disable communication
Pmbus_address[6:0]	The chip PMBus address. An address of 0 will disable communication.

In addition, a resistor may be connected between the ADDR and LGND pins to set an offset from the default preconfigured I2C address (0x10)/PMBus address (0x40) in the MTP. Up to 16 different offsets can be set, allowing 16 IR38060 devices with unique addresses in a single system. This offset, and hence, the device address, is read by the internal 10 bit ADC during the initialization sequence. It is recommended that a layout placement be provided for a 10nF capacitor in parallel with this offset resistor. On systems that have more noise, this capacitor will help to prevent the 10 bit ADC from incorrectly reading the offset and calculating the wrong address offset.

Table 2 below provides the resistor values needed to set the 16 offsets from the base address.

Table 2 : Address offset vs. External Resistor(R_{ADDR})

ADDR Resistor (Ohm)	Address Offset
499	+0
1050	+1
1540	+2
2050	+3
2610	+4
3240	+5
3830	+6
4530	+7
5230	+8
6040	+9

6980	+10
7870	+11
8870	+12
9760	+13
10700	+14
11800	+15

The device will then respond to I2C/PMBus commands sent to this address. This mode in which digital communication to and from the device is allowed following the MTP load sequence is referred to as the digital mode of operation. However, if the ADDR pin is left floating, the IR38060 disables digital communication and will not respond to commands sent over the bus. In fact, the 3 pins used for digital communication are dual purpose pins which get reconfigured for analog applications if ADDR is left floating. Hence, in the analog mode, the default configuration parameters loaded in to the working registers from the MTP during the initialization sequence cannot be modified on the fly, and the device can be operated similar to an analog only SupIRBuck such as IR3847.

BUS VOLTAGE UVLO

In the analog mode of operation or with the default configuration, if the input to the Enable pin is derived from the bus voltage by a suitably programmed resistive divider, it can be ensured that the IR38060 does not turn on until the bus voltage reaches the desired level as shown in Figure 12. Only after the bus voltage reaches or exceeds this level and voltage at the Enable pin exceeds its threshold (typically 1.2V) IR38060 will be enabled. Therefore, in addition to being a logic input pin to enable the IR38060, the Enable feature, with its precise threshold, also allows the user to override the default 1 V Under-Voltage Lockout for the bus voltage (PVin). This is desirable particularly for high output voltage applications, where we might want the IR38060 to be disabled at least until PVin exceeds the desired output voltage level. Alternatively, the default 1 V PVin UVLO threshold may be reconfigured/overridden using the VIN_ON and VIN_OFF PMBus commands. It should be noted that while the input voltage is also fed to an ADC

through a 21:1 internal resistive divider, the digitized input voltage is used only for the purposes of reporting the input voltage through the READ_VIN PMBUs command and has no impact on the bus voltage UVLO, input overvoltage faults and input undervoltage warnings, all of which are implemented by using analog comparators to compare the input voltage to the corresponding thresholds programmed by the PMBus commands VIN_ON, VIN_OFF, VIN_OV_FAULT_LIMIT and VIN_UV_WARN_LIMIT respectively. The bus voltage reading as reported by READ_VIN has no effect on the input feedforward function either.

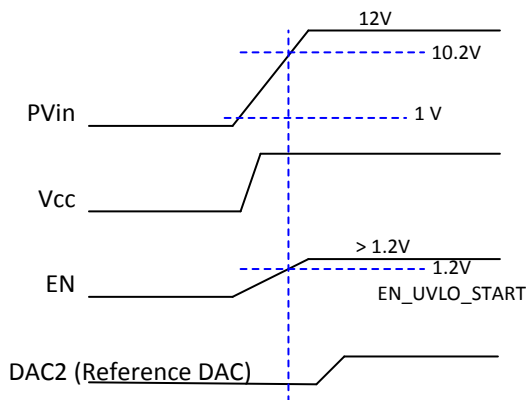


Figure 12: Normal Start up, device turns on when the bus voltage reaches 10.2V

A resistor divider is used at EN pin from PVin to turn on the device at 10.2V.

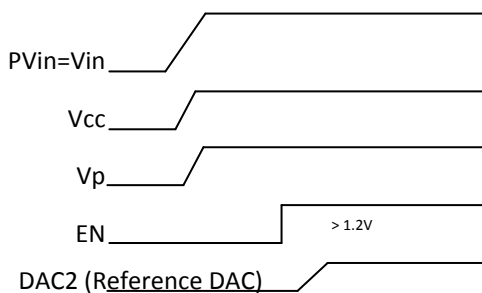


Figure 13: Recommended startup for Normal operation

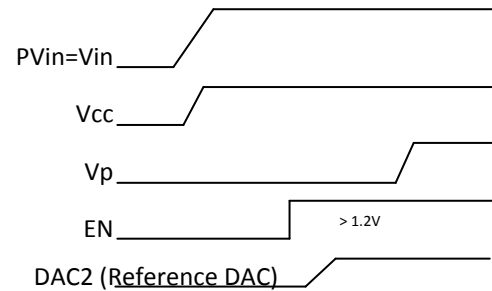


Figure 14: Recommended startup for sequencing operation (ratiometric or simultaneous)

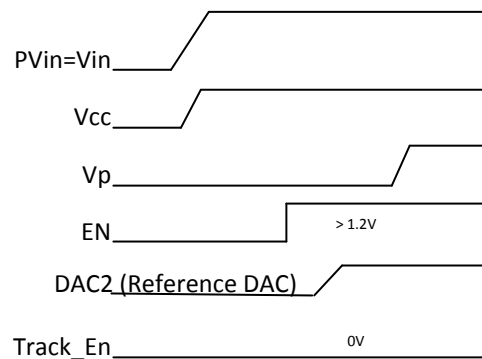


Figure 15: Recommended startup for memory tracking operation (DDR-VTT)

Figure 13 shows the recommended startup sequence for the normal (non-tracking, non-sequencing) operation of IR38060, when Enable is used as logic input. In this operating mode, a 100 kOhm resistor is connected from Track_En to P1V8. Figure 14 shows the recommended startup sequence for sequenced operation of IR38060 with Enable used as logic input. For this mode of operation also, a 100 kOhm resistor is connected from Track_En to P1V8. Figure 15 shows the recommended startup sequence for tracking operation of IR38060 with Enable used as logic input. For this mode of operation, Track_En should be connected to LGND.

PRE-BIAS STARTUP

IR38060 is able to start up into pre-charged output, which prevents oscillation and disturbances of the output voltage.

The output starts in asynchronous fashion and keeps the synchronous MOSFET (Sync FET) off until the first gate signal for control MOSFET (Ctrl FET) is generated. Figure 16 shows a typical Pre-Bias condition at start up. The sync FET always starts with a narrow pulse width (12.5% of a switching period) and gradually increases its duty cycle with a step of 12.5%, with 16 cycles at each step, until it reaches the steady state value. Figure 17 shows the series of 16x8 startup pulses.

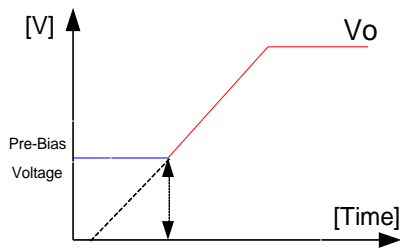


Figure 16: Pre-Bias startup

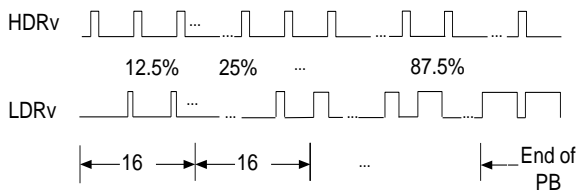


Figure 17: Pre-Bias startup pulses

SOFT-START (REFERENCE DAC RAMP)

IR38060 has an internal soft starting DAC to control the output voltage rise and to limit the current surge at the start-up. In the default configuration and in analog mode, to ensure correct start-up, the DAC sequence initiates only after power conversion is enabled when the En/FCCM pin voltage exceeds its undervoltage threshold, the PVin bus voltage exceeds its undervoltage threshold and the contents of the MTP have been fully loaded into the working registers. In analog mode and in the default configuration, the reference DAC signal linearly rises to 0.5V in 2 ms. Figure 18 shows the waveforms during soft start. In digital mode, the reference DAC soft-start may be delayed from time power conversion is enabled. The range for this

programmable delay is 0ms to 127 ms, and the resolution is 1 ms. Further, the soft start time may be configured from 1ms to 127 ms with 1 ms resolution.

For more details on the PMBus commands TON_DELAY and TON_RISE used to program the startup sequence, please see the UN0060 IR3806x PMBus commandset user note.

Note however, that a shorter Ton_Rise can lead to a slight overshoot on the output voltage during startup. Infineon recommends using a rise time that would limit the soft start rate to <0.4mV/us. Also, it is recommended that the system designer should verify in the actual design that the selected rise time keeps the overshoot within limits acceptable to the system.

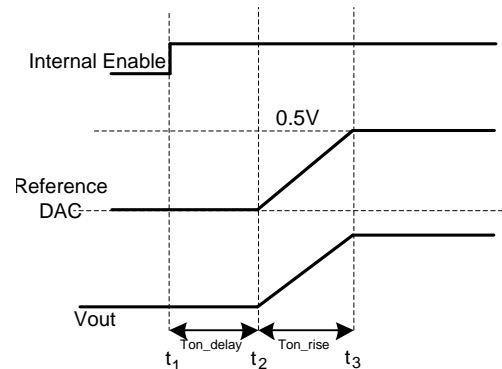


Figure 18: DAC2 (VREF) Soft start

During the startup sequence the over-current protection (OCP) and over-voltage protection (OVP) are active to protect the device for any short circuit or over voltage condition.

OPERATING FREQUENCY

In the analog mode, the switching frequency can be programmed between 306kHz – 1500kHz by connecting an external resistor from R_i pin to LGnd. This frequency is set during the initialization sequence, when the 10 bit ADC reads the voltage at the RT pin. It should be noted that after the

initialization sequence is complete, the ADC no longer reads the voltage at the ADC pin, so changing the resistor on the fly after initialization will not affect the switching frequency. Table 3 tabulates the oscillator frequency versus R_t .

Table 3: Switching Frequency (F_s) vs. External Resistor (R_t)

R_t Resistor (Ohm)	F_s (kHz)
499	306
1050	356
1540	400
2050	444
2610	500
3240	550
3830	600
4530	706
5230	750
6040	800
6980	923
7870	1000
8870	1091
9760	1200
10700	1333
11800	1500

In the digital mode, the default switching frequency is configured to be 607 kHz, and is programmable from 250 kHz to 1500 kHz. The user can override this using the FREQUENCY_SWITCH PMBus command. In the digital mode of operation no resistor is used or needed on the R_t /Sync pin. For best telemetry accuracy, it is recommended that the following switching frequencies be avoided: 250 kHz, 300 kHz, 400 kHz, 500 kHz, 600 kHz, 750 kHz, 800 kHz, 1 MHz, 1.2 MHz and 1.5 MHz. Instead, Infineon suggests using the following values 251 kHz, 302 kHz, 403 kHz, 505 kHz, 607 kHz, 762 kHz,

813 kHz, 978 kHz, 1171 kHz and 1454 kHz respectively.

EXTERNAL SYNCHRONIZATION

IR38060 incorporates an internal phase lock loop (PLL) circuit which enables synchronization of the internal oscillator to an external clock. This function is important to avoid sub-harmonic oscillations due to beat frequency for embedded systems when multiple point-of-load (POL) regulators are used. A multi-function pin, R_t /Sync, is used to connect the external clock. In the analog mode, if the external clock is applied before the initialization sequence is done, the internal ADC cannot read the value of the R_t resistor and hence, for proper operation, it is mandatory that the external clock remains applied. If the synchronization clock is then lost after initialization, the IR38060 will treat this as a symptom of a failure in the system and disable power conversion. Therefore, for such applications, where the switching frequency is always determined by an external synchronization clock, the R_t /Sync pin can be connected to the external clock signal solely and no other resistor is needed. If the external clock is applied after the initialization sequence, the IR38060 treats this as an application where the converter switching frequency is allowed to run at the internal free-running frequency if the synchronization clock is lost. Therefore, in analog mode, an external resistor from R_t /Sync pin to LGnd is required to set the free-running frequency. In the digital mode, the resistor is not needed because the free running frequency is set in an internal register.

When an external clock is applied to R_t /Sync pin after the converter runs in steady state with its free-running frequency, a transition from the free-running frequency to the external clock frequency will happen. This transition is to gradually make the actual switching frequency equal to the external clock frequency, no matter which one is higher. When the external clock signal is removed from R_t /Sync pin, the switching frequency is also changed to free-running gradually.

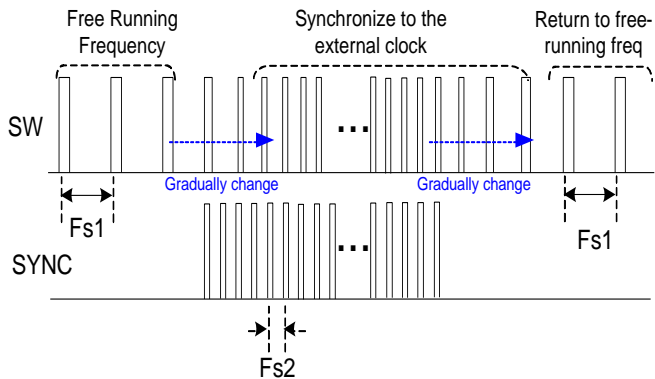


Figure 19: Timing Diagram for Synchronization to the external clock ($F_{s1} > F_{s2}$ or $F_{s1} < F_{s2}$)

An internal circuit is used to change the PWM ramp slope according to the clock frequency applied on Rt/Sync pin. Even though the frequency of the external synchronization clock can vary in a wide range, the PLL circuit will make sure that the ramp amplitude is kept constant, requiring no adjustment of the loop compensation. P_{Vin} variation also affects the ramp amplitude, which will be discussed separately in Feed-Forward section.

It must be noted here that in analog mode, since the voltage at the Rt/Sync pin is read by the ADC at startup special care must be taken if a low impedance system clock is used for synchronization and is applied before the initialization sequence is done. The circuit shown in Figure 20 below shows how this may be done using a diode-capacitor combination. This couples the clock edges to the Rt/Sync pin while not loading the Rt/SYNC pin with the impedance of the synchronization clock, and thus not affecting the Rt voltage read by the ADC at startup.

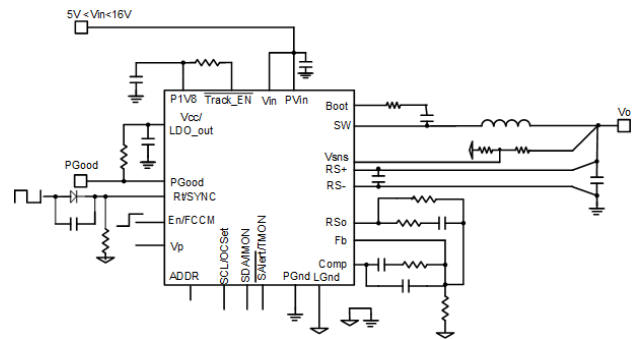


Figure 20: Synchronizing a low impedance clock in analog mode

It must be re-iterated that this is not a concern in digital mode and the clock may be directly applied to the Rt/Sync pin.

SHUTDOWN

In the default configuration, IR38060 can be shutdown by pulling the Enable pin below its 1.0V threshold. During shutdown the high side and the low side drivers are turned off. By default, the device exhibits an immediate shutdown with no delay and no soft stop.

Alternatively, in digital mode, the part may be configured to allow shutdown using the OPERATION PMBus command as well.

CURRENT SENSING, TELEMETRY AND OVER CURRENT PROTECTION

Current sensing for both, telemetry as well as overcurrent protection is done by sensing the voltage across the sync FET RD_{son}. This method enhances the converter's efficiency, reduces cost by eliminating a current sense resistor and any minimizes sensitivity to layout related noise issues. A novel, patented scheme allows reconstruction of the average inductor current from the voltage sensed across the Sync FET Rd_{son}. It should be noted here that it is this reconstructed average inductor current that is digitized by the ADC and

used for output current reporting as well as for overcurrent warning, the threshold for which may be set using the IOUT_OC_WARN_LIMIT command. The current is reported in 1/16A resolution using the READ_IOUT PMBus command.

The Over current (OC) fault protection circuit also uses the voltage sensed across the $R_{DS(on)}$ of the Synchronous MOSFET; however, the protection mechanism relies on a fast comparator to compare the sensed signal to the overcurrent threshold and does not depend on the ADC or reported current. In the analog mode of operation, the current limit can be set to one of three possible settings by floating the OCSet pin, or pulling it up to Vcc or pulling it down to PGnd. The current limit scheme in the IR38060 uses an internal temperature compensated current source that has the same temperature coefficient as the $R_{DS(on)}$ of the Synchronous MOSFET. As a result, the over-current trip threshold remains almost constant over temperature.

Over Current Protection circuitry senses the inductor current flowing through the Synchronous FET closer to the valley point. The OCP circuit samples this current for 75 ns typically after the rising edge of the PWM set pulse which is an internal signal that has a width of 12.5% of the switching period. The PWM pulse that turns on the high side FET starts at the falling edge of the PWM set pulse. This makes valley current sense more robust as current is sensed close to the bottom of the inductor downward slope where transient and switching noise is low. This helps to prevent false tripping due to noise and transients.

The actual DC output current limit point will be greater than the valley point by an amount equal to approximately half of the peak to peak inductor ripple current. The current limit point will be a function of the inductor value, input voltage, output voltage and the frequency of operation. On equation 1, I_{LIMIT} is the value set when configuring the OCP value. The user should account for the inductor ripple to obtain the actual DC output current limit.

$$I_{OCP} = I_{LIMIT} + \frac{\Delta i}{2} \quad (1)$$

- I_{OCP} = DC current limit hiccup point
- I_{LIMIT} = Current Limit Valley Point
- Δi = Inductor ripple current

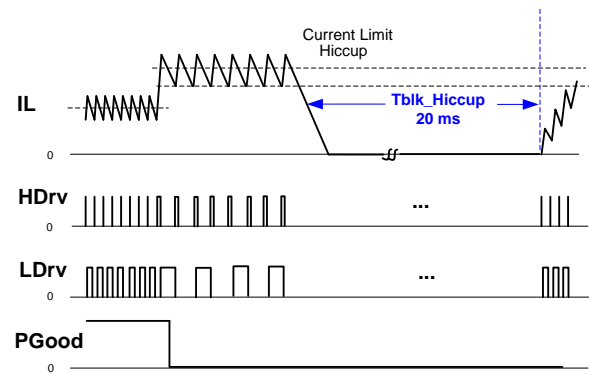


Figure 21: Timing Diagram for Current Limit Hiccup

In the default configuration and in analog mode, if the overcurrent detection trips the OCP comparator, the IR38060 goes into a hiccup mode after 8 current limit cycles. In order to put the part into hiccup, a total of 8 current limited cycles is needed. If the device sees 6 consecutive cycles without an overcurrent condition it resets the 8 cycle counter. The hiccup is performed by de-asserting the internal Enable signal to the analog and power conversion circuitry and holding it low for 20 ms.

Following this, the OCP signal resets and the converter recovers. After every hiccup cycle, the converter stays in this mode until the overload or short circuit is removed. This behavior is shown in Figure 21.

It should be noted that on some units, a false OCP maybe experienced during IR38060 device start-up due to noise. The part will ride through this false OCP due to the pulse by pulse current limiting feature of the IR38060 and successfully ramp to the correct output voltage. However, Infineon recommends sending a PMBUS Clear_Faults command after start-up to reset the PMBUS SAlert# to a high and to clear the PMBUS status register for faults.

Note that the IR38060 allows the user to override the default overcurrent threshold using the PMBus command `IOUT_OC_FAULT_LIMIT`.

Also, using the PMBus command `IOUT_OC_FAULT_RESPONSE`, the part may be configured to respond to an overcurrent fault in one of two ways

- 1) Pulse by pulse current limiting for a programmed number of switching cycles (8 to 64 cycles, in 8 cycle resolution) followed by a latched shutdown.
- 2) Pulse by pulse current limiting for a programmed number (8 to 64 cycles, in 8 cycle resolution) of switching cycles followed by hiccup.

The pulse-by-pulse or constant current limiting mechanism is briefly explained below.

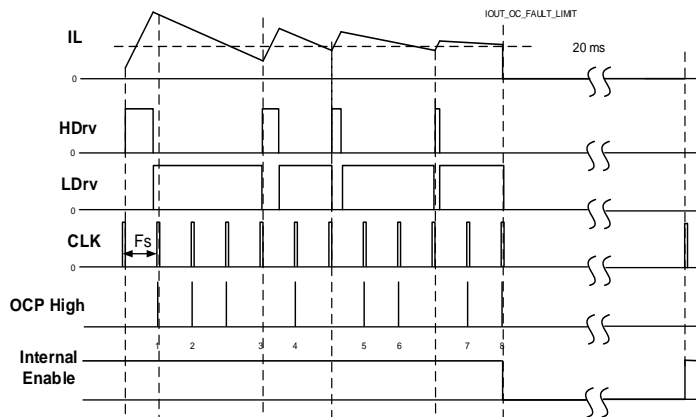


Figure 22: Pulse by pulse current limiting for 8 cycles, followed by hiccup.

In Figure 22 above, with the overcurrent response set to pulse-by-pulse current limiting for 8 cycles followed by hiccup, the converter is operating at $D < 0.125$ when the overcurrent condition occurs. In such a case, no duty cycle limiting is applied.

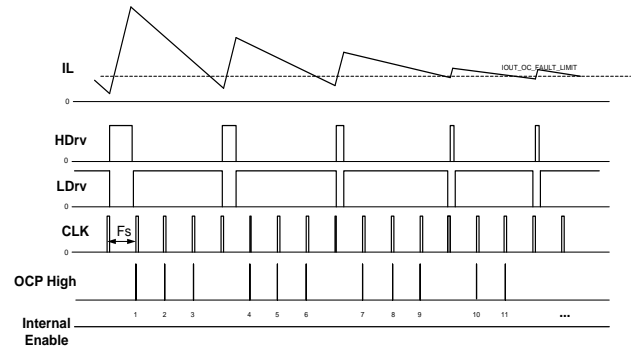


Figure 23: Constant current limiting.

Figure 23 depicts a case where the overcurrent condition happens when the converter is operating at $D > 0.5$ and the overcurrent response has been set to Constant current operation through pulse by pulse current limiting. In such a case, after 3 consecutive overcurrent cycles are recognized, the pulse width is dropped such that $D = 0.5$ and then after 3 more consecutive OCP cycles, to 0.25 and then finally to 0.125 at which it keeps running until the total OCP count reaches the programmed maximum following which the part enters hiccup mode. Conversely, when the overcurrent condition disappears, the pulse width is restored to its nominal value gradually, by a similar mechanism in reverse; every sequence of 4 consecutive cycles in which the current is below the overcurrent threshold doubles the duty cycle, so that D goes from 0.125 to 0.25, then to 0.5 and finally to its nominal value.

DIE TEMPERATURE SENSING, TELEMETRY AND THERMAL SHUTDOWN

IR38060 uses on die temperature sensing for accurate temperature reporting and over temperature detection. The `READ_TEMPERATURE` PMBus command reports this temperature in 1°C resolution. The trip threshold is set by default to 145°C . The default over temperature response of the IR38060 (also the response in analog mode) is to inhibit power conversion while the fault is present, followed by automatic restart after the fault condition is cleared. Hence, in the default configuration, when trip threshold is exceeded, the internal Enable signal to the power conversion circuitry is de-asserted, turning off both MOSFETs.

Automatic restart is initiated when the sensed temperature drops within the operating range. There is a 25°C hysteresis in the thermal shutdown threshold.

The default overtemperature threshold as well as overtemperature response may be re-configured or overridden using the OT_FAULT_LIMIT and OT_FAULT_RESPONSE PMBus commands respectively. The devices support three types of responses to an over-temperature fault:

- 1) Ignore
- 2) Inhibit when over temperature condition exists and auto-restart when over temperature condition disappears
- 3) Latched shutdown.

REMOTE VOLTAGE SENSING

True differential remote sensing in the feedback loop is critical to high current applications where the output voltage across the load may differ from the output voltage measured locally across an output capacitor at the output inductor, and to applications that require die voltage sensing.

The RS+ and RS- pins of the IR38060 form the inputs to a remote sense differential amplifier with high speed, low input offset and low input bias current which ensure accurate voltage sensing and fast transient response in such applications.

The input range for the differential amplifier is limited to 1.5V below the VCC rail. Therefore, for applications in which the output voltage is more than 3V, it is recommended to use local sensing, or if remote sensing is a must, then the output voltage between the RS+ and RS-pins must be divided down to less than 3V using a resistive voltage divider. Practically, since designs for output voltage greater than 2.555V require the use of a resistive divider anyway, it is recommended that this divider be placed at the input of the remote sense amplifier. Please note, however, that this modifies the open loop transfer function and requires a change in the compensation network to optimally stabilize the loop.

FEED-FORWARD

Feed-Forward (F.F.) is an important feature, because it can keep the converter stable and preserve its load transient performance when P_{Vin} varies over a wide range. The PWM ramp amplitude (V_{ramp}) is proportionally changed with P_{Vin} to maintain P_{Vin}/V_{ramp} almost constant throughout P_{Vin} variation range (as shown in Figure 24). Thus, the control loop bandwidth and phase margin can be maintained constant. Feed-forward function can also minimize impact on output voltage from fast P_{Vin} change. The feedforward is disabled for P_{Vin}<4.7V. Hence, for P_{Vin}<4.7V, a re-calculation of control loop parameters is needed for re-compensation.

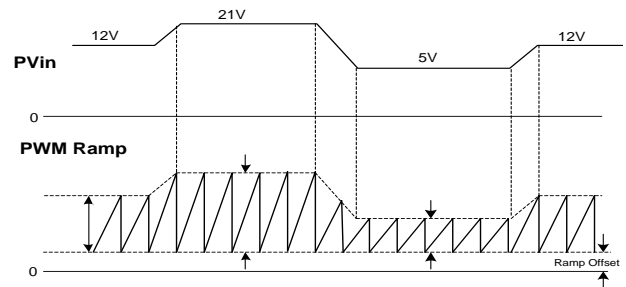


Figure 24: Timing Diagram for Feed-Forward (F.F.) Function

LIGHT LOAD EFFICIENCY ENHANCEMENT (AOT)

The IR38060 implements an Adaptive On Time control or AOT scheme to improve light load efficiency. It is based on a COT (Constant On Time) control scheme with some novel advancements that make the on-time during diode emulation adaptive and dependent upon the pulse width in constant frequency operation. This allows the scheme to be combined with a PWM scheme, while providing relatively smooth transition between the two modes of operation. In other words, the switching regulator can operate in AOT mode at light loads and automatically switch to PWM at medium and heavy loads and vice versa. Therefore, the regulator will benefit from the high efficiency of the AOT mode at light loads, and from the constant frequency and fast

transient response of the PWM at medium to heavy loads.

In order to enable this light load efficiency enhancement mode in analog operation, the voltage at the En/FCCM pin needs to be kept above 4V. In digital mode, a MFR_SPECIFIC PMBus command (MFR_FCCM) can be used to enable AOT operation at light load.

Shortly after the reference voltage has finished ramping up, an internal circuit which is called the “calibration circuit” starts operation. It samples the Comp voltage (output of the error amplifier), digitizes it and stores it in a register. There is a DAC which converts the value of this register to an analog voltage which is equal to the sampled Comp voltage. At this time, the regulator is ready to enter AOT mode if the load condition is appropriate. If the load is so low that the inductor current becomes negative before the next SW pulse, the operation can be switched to AOT mode. The condition to enter AOT is the occurrence of 8 consecutive inductor current zero crossings in eight consecutive switching cycles. If this happens, operation is switched to AOT mode as shown in Figure 25. The inductor current is sensed using the RDS_ON of the Sync-FET and no direct inductor current measuring is required. In AOT mode, just like COT operation, pulses with constant width are generated and diode emulation is utilized. This means that a pulse is generated and LDrv is held on until the inductor current becomes zero. Then both HDrv and LDrv remain off until the voltage of the sense pin comes down and reaches the reference voltage. At this moment the next pulse is generated. The sense pin is connected to the output voltage by a resistor divider which has the same ratio as the voltage divider which is connected to the feedback pin (Fb).

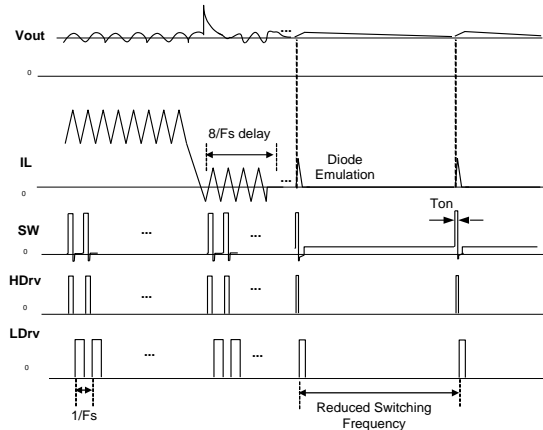


Figure 25: Timing Diagram for Reduced Switching Frequency and Diode Emulation in Light Load Condition (AOT mode)

When the load increases beyond a certain value, the control is switched back to PWM through either of the following two mechanisms:

- If due to the increase in load, the output voltage drops to 95% of the reference voltage.

- If Vsense remains below the reference voltage for 3 consecutive inductor current zero-cross events

It is worth mentioning that in AOT mode, when Vsense comes down to reference voltage level, a new pulse is generated only if the inductor current is already zero. If at this time the inductor current (sensed on the Sync-FET) is still positive, the new pulse generation is postponed till the current decays to zero. The second condition mentioned above usually happens when the load is gradually increased.

It should be noted that in tracking mode, AOT operation is disabled and the IR38060 can only operate in continuous conduction mode even at light loads.

In digital mode, if the output voltage and hence the reference voltage is commanded to a different voltage, AOT is disabled during the transition. It is enabled only after reference voltage finishes its ramp (up or down) and the calibration circuit has sampled and held the new Comp voltage. In

general, AOT operation is more jittery and noisier than FCCM operation, where the switching frequency may vary from cycle to cycle, giving increased V_{out} ripple. Therefore, it is recommended to use FCCM mode of operation as far as possible.

OUTPUT VOLTAGE TRACKING AND SEQUENCING

IR38060 can accommodate user programmable tracking and/or sequencing options using V_p , $\overline{\text{Track_En}}$, Enable, and Power Good pins. The error-amplifier (E/A) has two non-inverting inputs. Ideally, the input with the lowest voltage is used for regulating the output voltage and the other input is ignored. In practice the voltage of the other input should be about 200mV greater than the low-voltage input so that its effects can completely be ignored. V_p and Track_Enable are internally biased to 5V via a high impedance path. For normal operation, V_p is left floating and a 100 kOhm resistor is connected from $\overline{\text{Track_En}}$ to P1V8. Therefore, in normal operating condition, after Enable goes high, DAC2 ramps up the output voltage until V_{fb} (voltage of feedback/Fb pin) reaches about 0.5V.

Tracking-mode operation is achieved by connecting $\overline{\text{Track_En}}$ to LGND. In tracking mode, V_{fb} always follows V_p which means V_{out} is always proportional to V_p voltage (typical for DDR/Vt rail applications). The effective V_p variation range is 0V~2.555V.

In sequencing mode of operation (simultaneous or ratiometric), a 100 kOhm resistor is connected from $\overline{\text{Track_En}}$ to P1V8 and V_p is kept to ground level until DAC2 signal reaches the final value. Then V_p is ramped up and V_{fb} follows V_p . When $V_p > \text{DAC2}$ (0.5V in analog mode or default configuration) the error-amplifier switches to DAC2 and the output voltage is regulated with DAC2. The final V_p voltage after sequencing startup should be between 0.7V ~ 5V.

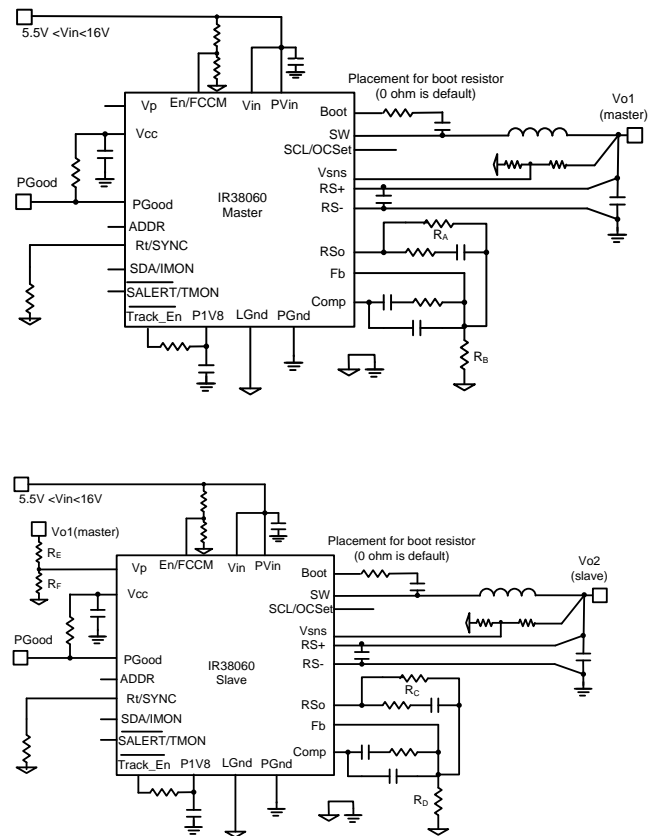


Figure 26: Application Circuit for Simultaneous and Ratiometric Sequencing

Tracking and sequencing operations can be implemented to be simultaneous or ratiometric (refer to Figure 27 and Figure 28). Figure 26 shows typical circuit configuration for sequencing operation. With this power-up configuration, the voltage at the V_p pin of the slave reaches 0.5V before the F_b pin of the master. If $R_E/R_F = R_C/R_D$, simultaneous startup is achieved. That is, the output voltage of the slave follows that of the master until the voltage at the V_p pin of the slave reaches 0.5 V. After the voltage at the V_p pin of the slave exceeds 0.5V, the internal 0.5V reference of the slave dictates its output voltage. In reality the regulation gradually shifts from V_p to internal DAC2. The circuit shown in Figure 26 can also be used for simultaneous or ratiometric

tracking operation if the $\overline{\text{Track_En}}$ pin of the slave is connected to LGND. Table 4 summarizes the required conditions to achieve simultaneous / ratiometric tracking or sequencing operations.

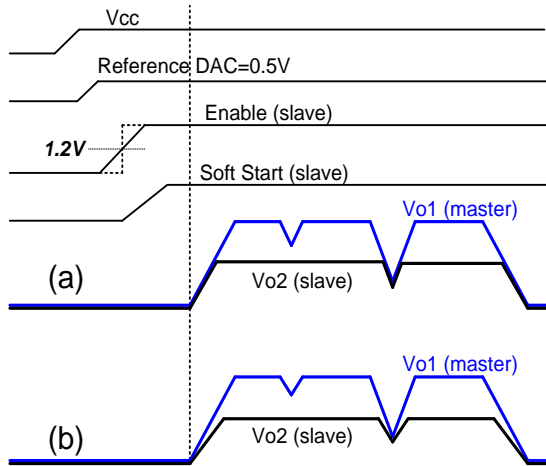


Figure 27: Typical waveforms for sequencing mode of operation: (a) simultaneous, (b) ratiometric

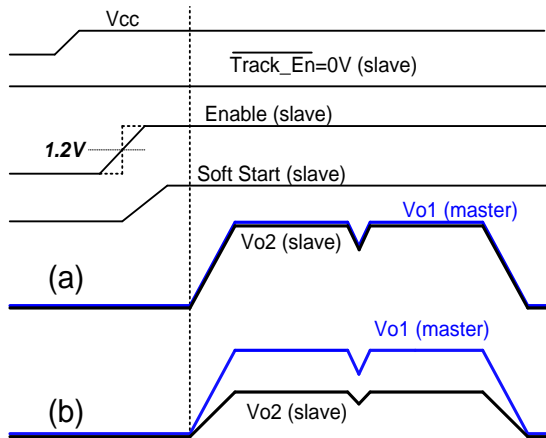


Figure 28: Typical waveforms in tracking mode of operation: (a) simultaneous, (b) ratiometric

Table 4: Required Conditions for Simultaneous / Ratiometric Tracking and Sequencing (Figure 26)

Operating Mode	Track_E nable (Slave)	Vp	Required Condition
Normal (Non-	100 kOhm to	Floating	—

sequencing, Non-tracking)	P1V8		
Simultaneous Sequencing	100 kOhm to P1V8	Ramp up from 0V	$R_A/R_B > R_E/R_F = R_C/R_D$
Ratiometric Sequencing	100 kOhm to P1V8	Ramp up from 0V	$R_A/R_B > R_E/R_F > R_C/R_D$
Simultaneous Tracking	0V	Ramp up from 0V	$R_E/R_F = R_C/R_D$
Ratiometric Tracking	0V	Ramp up from 0V	$R_E/R_F > R_C/R_D$

TRACK_EN

This pin is used to choose between tracking or non-tracking mode of operation. To enable operation in tracking mode, this pin must be tied to LGnd. For non-tracking or sequencing mode, a 100 kOhm resistor is connected from this pin to P1V8.

OUTPUT VOLTAGE SENSING, TELEMETRY AND FAULTS

In the IR38060, the voltage sense and regulation circuits are decoupled, enabling ease of testing as well as redundancy. In order to do this, IR38060 uses the sense voltage at the dedicated Vsns pin for output voltage reporting (in 1/256 V resolution, using the READ_VOUT PMBus command) as well as for power good detection and output overvoltage protection.

Power good detection and output overvoltage detection rely on fast analog comparator circuits, whereas overvoltage warnings as well as undervoltage faults and warnings rely on comparing the digitized Vsns to the corresponding thresholds programmed using PMBus commands VOUT_OV_WARN_LIMIT, VOUT_UV_FAULT_LIMIT and VOUT_UV_WARN_LIMIT respectively.

Power Good Output

The Vsns voltage is an input to the window comparator with default upper and lower thresholds

of 0.45V and 0.42V respectively. PGood signal is high whenever Vsns voltage is within the PGood comparator window thresholds. The PGood pin is open drain and it needs to be externally pulled high. High state indicates that output is in regulation. It should be noted, that in digital mode, the Power Good thresholds may be changed through the POWER_GOOD_ON and POWER_GOOD_OFF commands, which set the rising and falling PGood thresholds respectively. However, when no resistive divider is used, such as for output voltages lower than 2.555V, the Power Good thresholds must be programmed to within 630 mV of the output voltage, otherwise, the effective power good threshold changes from an absolute threshold to one that tracks the output voltage with a 630 mV offset.

The threshold is set differently in different operating modes and the result of the comparison sets the PGood signal. Figure 29, Figure 30 and Figure 31 show the timing diagram of the PGood signal in different operating modes. The Vsns signal is also used by OVP comparator to detect an output over voltage condition. By default, the PGood signal will assert as soon as the Vsns signal enters the

regulation window. In digital mode, this delay is programmable from 0 to 10ms with a 1 ms resolution, using the MFR_TPGDLY command.

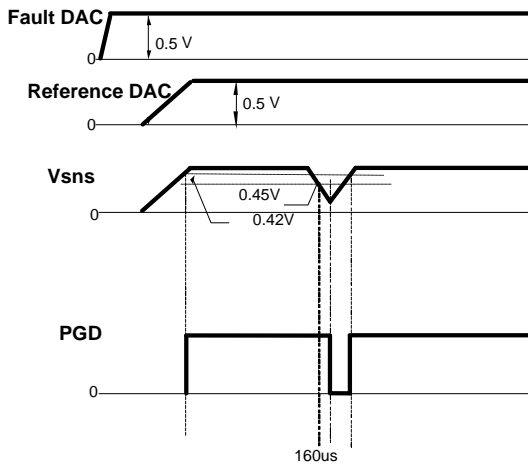


Figure 29: Non-sequenced, Non-tracking Startup

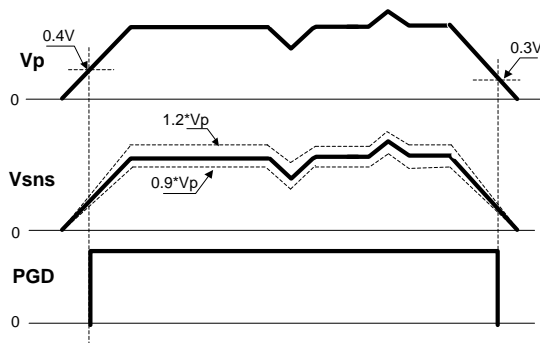


Figure 30: Vp Tracking ($\text{TracK_Eñ} = 0\text{V}$)

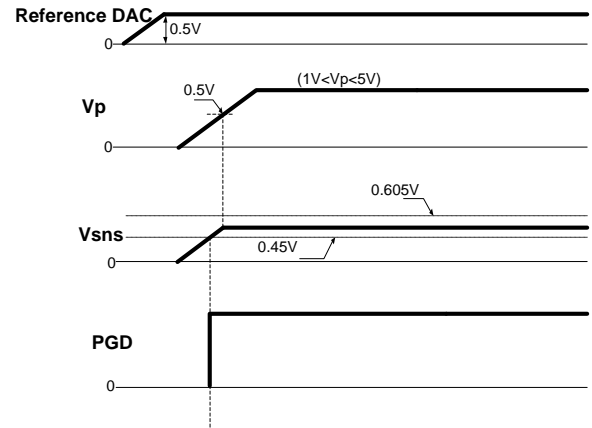


Figure 31: Vp Sequencing (100 kOhm from TracK_Eñ to P1V8)

Over-Voltage Protection (OVP)

Over-voltage protection in IR38060 is achieved by comparing sense pin voltage V_{sns} to a configurable overvoltage threshold.

For non-tracking operation, in analog mode, or in digital mode using the default configuration, the OVP threshold is set to 0.605V; for tracking operation, it is set at $1.2 \cdot V_p$.

For non-tracking operation, in digital mode, the OVP threshold may be reprogrammed to within 655 mV of the output voltage (for output voltages lower than 2.555V, without any resistive divider on the Fb pin), using the `VOUT_OV_FAULT_LIMIT` PMBus command. For an OVP threshold programmed to be more than 655 mV greater than the output voltage, the effective OV threshold ceases to be an absolute value and instead tracks the output voltage with a 655 mV offset.

When V_{sns} exceeds the over voltage threshold, an over voltage trip signal asserts after 200ns (typ.) delay. The default response is that the high side drive signal HDrv is latched off immediately and PGood flags are set low. The low side drive signal is kept on until the V_{sns} voltage drops below the threshold. HDrv remains latched off until a reset is performed by cycling either V_{cc} or Enable, or in the digital mode, using the `OPERATION` command.

IR38060 allows the user to reconfigure this response by the use of the VOUT_OV_FAULT_RESPONSE PMBus command. In addition to the default response described above, this command can be used to configure the device such that Vout overvoltage faults are ignored and the converter remains enabled. (however, they will still be flagged in the STATUS_REGISTERS and by $\overline{SAI\bar{e}r\bar{t}}$). For further details on the corresponding PMBus commands related to OVP, please refer to the UN0060 IR3806x PMBus commandset user note.

Vsns voltage is set by an external resistive voltage divider connected to the output.

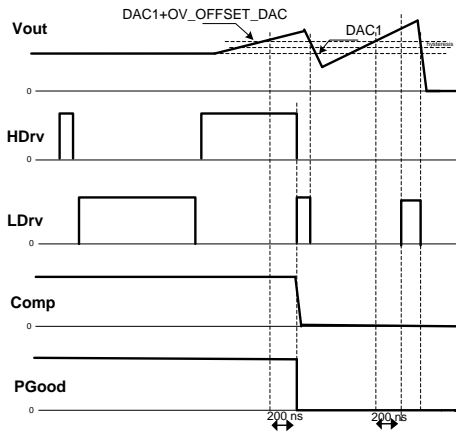


Figure 32: Timing Diagram for OVP in non-tracking mode

MINIMUM ON TIME CONSIDERATIONS

The minimum ON time is the shortest amount of time for Ctrl FET to be reliably turned on. This is a very critical parameter for low duty cycle, high frequency applications. In the conventional approach, when the error amplifier output is near the bottom of the ramp waveform with which it is compared to generate the PWM output, propagation delays can be high enough to cause pulse skipping, and hence limit the minimum pulse width that can be realized. Moreover, in the conventional approach, the bottom of the ramp often presents a high gain region to the error amplifier output, making the modulator more

susceptible to noise and requiring the use of lower control loop bandwidth to prevent noise, jitter and pulse skipping.

IR has developed a proprietary scheme to improve and enhance the minimum pulse width which minimizes these delays and hence, allows stable operation with pulse-widths as small as 35ns. At the same time, this scheme also has greater noise immunity, thus allowing stable, jitter free operation down to very low pulse widths even with a high control loop bandwidth, thus reducing the required output capacitance.

Any design or application using IR38060 must ensure operation with a pulse width that is higher than the minimum on-time and at least 50 ns of on-time is recommended in the application. This is necessary for the circuit to operate without jitter and pulse-skipping, which can cause high inductor current ripple and high output voltage ripple.

$$t_{on} = \frac{D}{F_s} = \frac{V_{out}}{PV_{in} \times F_s} \quad (2)$$

In any application that uses IR38060, the following condition must be satisfied:

$$t_{on(\min)} \leq t_{on} \quad (3)$$

$$t_{on(\min)} \leq \frac{V_{out}}{PV_{in} \times F_s} \quad (4)$$

$$\therefore PV_{in} \times F_s \leq \frac{V_{out}}{t_{on(\min)}} \quad (5)$$

The minimum output voltage is limited by the reference voltage and hence $V_{out(\min)} = 0.5V$. Therefore, for $V_{out(\min)} = 0.5V$,

$$\therefore PV_{in} \times F_s \leq \frac{V_{out}}{t_{on(\min)}} \quad (6)$$

$$\therefore PV_{in} \times F_s \leq \frac{0.5V}{50ns} \leq 10 V/\mu s$$

Therefore, at the maximum recommended input voltage 16V and minimum output voltage, the

converter should be designed at a switching frequency that does not exceed 625 kHz. Conversely, for operation at the maximum recommended operating frequency (1.5 MHz) and minimum output voltage (0.5V), the input voltage (P_{Vin}) should not exceed 6.7V, otherwise pulse skipping may happen.

VOLTAGE REFERNCE

The default reference voltage of the error amplifier is 0.5V for both digital and analog mode. The default voltage scale loop setting is 1.

MAXIMUM DUTY RATIO

A certain off-time is specified for IR38060. This provides an upper limit on the operating duty ratio at any given switching frequency. The off-time remains at a relatively fixed ratio to switching period in the low and mid frequency range, while at higher frequencies; the maximum duty ratio at which IR38060 can operate shows a corresponding

decrease. Figure 33 shows a plot of the maximum duty ratio vs. the switching frequency with built in input voltage feed forward mechanism.

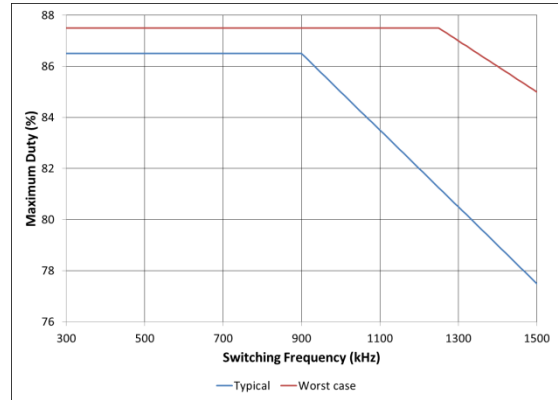


Figure 33: Maximum duty cycle vs. switching frequency

DESIGN EXAMPLE

The following example is a typical application for the IR38060.

$PV_{in} = V_{in} = 12V$
 $F_s = 607kHz$
 $V_o = 1.2V$
 $I_o = 6A$
 Ripple Voltage = $\pm 1\% * V_o$
 $\Delta V_o = \pm 5\% * V_o$ (for 30% load transient)
 Digital mode operation

Enabling the IR38060

As explained earlier, in analog mode, the precise threshold of the Enable lends itself well to implementation of a UVLO for the Bus Voltage as shown in Figure 34.

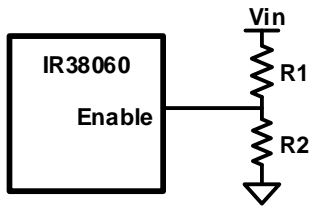


Figure 34: Using Enable pin for UVLO implementation

For a typical Enable threshold of $V_{EN} = 1.2 V$

$$PV_{in(min)} \times \frac{R_2}{R_1 + R_2} = V_{EN} = 1.2 \quad (7)$$

$$R_2 = R_1 \frac{V_{EN}}{PV_{in(min)} - V_{EN}} \quad (8)$$

For $PV_{in(min)} = 9.2V$, $R_1 = 49.9K$ and $R_2 = 7.5K$ ohm is a good choice.

Alternatively, if used in digital mode, the PVin UVLO thresholds may be programmed to suitable values such as 9V and 8V, through the VIN_ON and VIN_OFF PMBus commands or through the appropriate configuration registers respectively.

Programming the frequency

The device is programmed with a default switching frequency=607kHz. This value may be read using the FREQUENCY_SWITCH PMBus command.

If operating in analog mode, the timing resistor R_t should be chosen to be 3.83K

Output Voltage Programming

The IR38060 offers flexibility for programming the output voltage. Two distinct methods of programming the Output voltage are available and the appropriate one should be chosen depending upon if the mode of operation is analog or digital.

In the analog mode of operation, the output voltage is programmed by the reference voltage and an external resistive divider. The FB pin is the inverting input of the error amplifier, which is internally referenced to VREF.

The divider ratio is set such that the voltage at the VREF pin equals that at the FB pin when the output is at its desired value. When an external resistor divider is connected to the output as shown in Figure 35, the output voltage is defined by using the following equation:

$$V_o = V_{ref} \times \left(1 + \frac{R_5}{R_6} \right) \quad (9)$$

$$R_6 = R_5 \times \left(\frac{V_{ref}}{V_o - V_{ref}} \right) \quad (10)$$

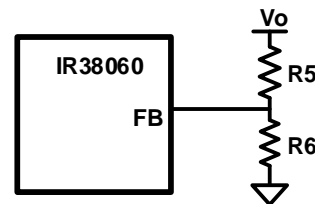


Figure 35: Typical application of the IR38060 for programming the output voltage

However, in the digital mode of operation, the Vout related PMBus commands and the Vout related registers allow the user to program the output voltage directly, by changing the reference voltage (up to a maximum of 2.555V) in response to the commanded

voltage. Therefore, no resistive divider is necessary for this design since $V_o=1.2V$.

Bootstrap Capacitor Selection

To drive the Control FET, it is necessary to supply a gate voltage at least 4V greater than the voltage at the SW pin, which is connected to the source of the Control FET. This is achieved by using a bootstrap configuration, which comprises the internal bootstrap diode and an external bootstrap capacitor (C1). The operation of the circuit is as follows: When the sync FET is turned on, the capacitor node connected to SW is pulled down to ground. The capacitor charges towards V_{cc} through the internal bootstrap diode (Figure 36), which has a forward voltage drop V_D . The voltage V_c across the bootstrap capacitor C1 is approximately given as:

$$V_c \cong V_{cc} - V_D \tag{11}$$

When the control FET turns on in the next cycle, the capacitor node connected to SW rises to the bus voltage PV_{in} . However, if the value of C1 is appropriately chosen, the voltage V_c across C1 remains approximately unchanged and the voltage at the Boot pin becomes:

$$V_{Boot} \cong PV_{in} + V_c - V_D \tag{12}$$

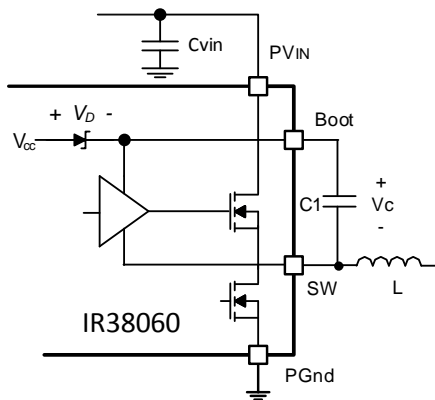


Figure 36: Bootstrap circuit to generate V_c voltage

A bootstrap capacitor of value 0.1uF is suitable for most applications. For applications where $PV_{in}>12V$, a 1 ohm resistor is recommended in series with the 0.1uF boot capacitor.

Input Capacitor Selection

The ripple currents generated during the on time of the control FETs should be provided by the input capacitor. The RMS value of this ripple for each channel is expressed by:

$$I_{RMS} = I_o \times \sqrt{D \times (1 - D)} \tag{13}$$

$$D = \frac{V_o}{PV_{in}} \tag{14}$$

Where:

D is the Duty Cycle

I_{RMS} is the RMS value of the input capacitor current.

I_o is the output current.

$I_o=6A$ and $D = 0.1$, the $I_{RMS} = 1.84A$.

Ceramic capacitors are recommended due to their peak current capabilities. They also feature low ESR and ESL at higher frequency which enables better efficiency. For this application, it is advisable to have 3x22uF, 25V ceramic capacitors, C3216X5R1E226M160AB from TDK. In addition to these, although not mandatory, a 1x330uF, 25V SMD capacitor EEV-FK1E331P from Panasonic may also be used as a bulk capacitor and is recommended if the input power supply is not located close to the converter.

Inductor Selection

Inductors are selected based on output power, operating frequency and efficiency requirements. A low inductor value causes large ripple current, resulting in the smaller size, faster response to a load transient but poor efficiency and high output noise. Generally, the selection of the inductor value can be reduced to the desired maximum ripple current in the inductor (Δi). The optimum point is usually found between 20% and 50% ripple of the output current. For the buck converter, the inductor value for the desired operating ripple current can be determined using the following relation:

$$PV_{in} - V_o = L \times \frac{\Delta i}{\Delta t}; \Delta t = D \times \frac{1}{F_s}$$

$$L = (PV_{in} - V_o) \times \frac{V_o}{PV_{in} \times \Delta i \times F_s} \quad (15)$$

Where:

PV_{in} = Maximum input voltage

V_o = Output Voltage

Δi = Inductor Ripple Current

F_s = Switching Frequency

Δt = On time for Control FET

D = Duty Cycle

If $\Delta i \approx 37\% \cdot I_o$, then the inductor is calculated to be $0.811\mu\text{H}$. Select $L=0.82\mu\text{H}$, SPM6550T-R82M, from TDK which provides a compact, low profile inductor suitable for this application. The selected inductor value give a peak-to-peak inductor ripple current=2.2A.

Output Capacitor Selection

The voltage ripple and transient requirements determine the output capacitors type and values. The criterion is normally based on the value of the Effective Series Resistance (ESR). However the actual capacitance value and the Equivalent Series Inductance (ESL) are other contributing components. These components can be described as:

$$\Delta V_o = \Delta V_{o(ESR)} + \Delta V_{o(ESL)} + \Delta V_{o(C)}$$

$$\Delta V_{o(ESR)} = \Delta I_L \times ESR$$

$$\Delta V_{o(ESL)} = \left(\frac{PV_{in} - V_o}{L} \right) \times ESL$$

$$\Delta V_{o(C)} = \frac{\Delta I_L}{8 \times C_o \times F_s} \quad (16)$$

Where:

ΔV_o = Output Voltage Ripple

ΔI_L = Inductor Ripple Current

Since the output capacitor has a major role in the overall performance of the converter and determines the result of transient response, selection of the capacitor is critical. The IR38060 can perform well with all types of capacitors.

As a rule, the capacitor must have low enough ESR to meet output ripple and load transient requirements.

The goal for this design is to meet the voltage ripple requirement in the smallest possible capacitor size. Therefore it is advisable to select ceramic capacitors due to their low ESR and ESL and small size. Seven of Murata GRM21BR60J226ME39 (22uF/0805/X5R/6.3V) capacitors is a good choice.

It is recommended to use a $0.1\mu\text{F}$ ceramic capacitor at the output for high frequency filtering. Using a small 3.3nF in parallel is also recommended in order to reduce the amplitude of the Switch node ringing.

Feedback Compensation

The IR38060, while allowing flexibility and configurability through the digital wrapper of the PMBus interface, still employs a high performance voltage mode control engine. The control loop is a single voltage feedback path including error amplifier and a PWM comparator. To achieve fast transient response and accurate output regulation, a compensation circuit is necessary. The goal of the compensation network is to provide a closed-loop transfer function with the highest 0 dB crossing frequency and adequate phase margin (greater than 45°).

The output LC filter introduces a double pole, -40dB/decade gain slope above its corner resonant frequency, and a total phase lag of 180° . The resonant frequency of the LC filter is expressed as follows:

$$F_{LC} = \frac{1}{2 \times \pi \times \sqrt{L_o \times C_o}} \quad (17)$$

Figure 37 shows gain and phase of the LC filter. Since we already have 180° phase shift from the output filter alone, the system runs the risk of being unstable.

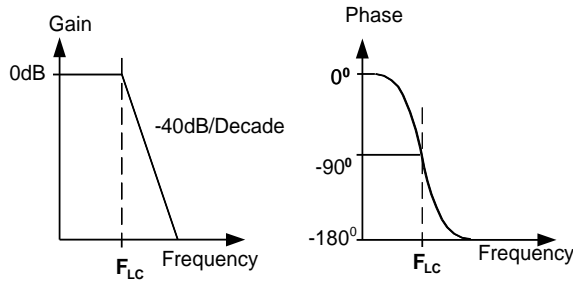


Figure 37: Gain and Phase of LC filter

The IR38060 uses a voltage-type error amplifier with high-gain (90dB) and high-bandwidth (30MHz). The output of the amplifier is available for DC gain control and AC phase compensation.

The error amplifier can be compensated either in type II or type III compensation.

Local feedback with Type II compensation is shown in Figure 38.

This method requires that the output capacitor have enough ESR to satisfy stability requirements. If the output capacitor's ESR generates a zero at 5kHz to 50kHz, the zero generates acceptable phase margin and the Type II compensator can be used.

The ESR zero of the output capacitor is expressed as follows:

$$F_{ESR} = \frac{1}{2 \times \pi \times ESR \times C_o} \quad (18)$$

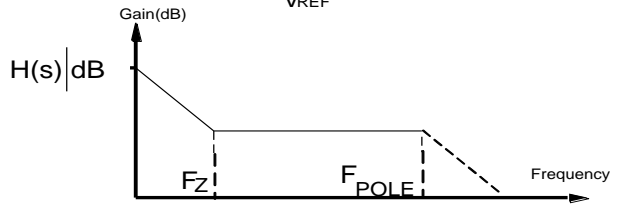
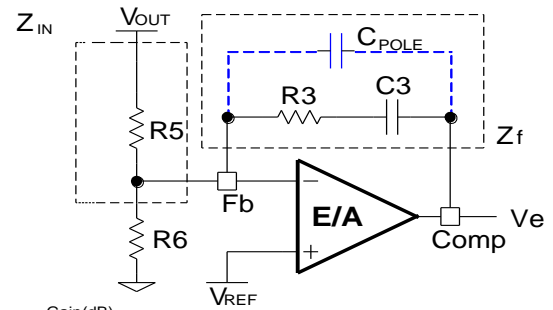


Figure 38: Type II compensation network and its asymptotic gain plot

The transfer function (V_e/V_{out}) is given by:

$$\frac{V_e}{V_{out}} = H(s) = -\frac{Z_f}{Z_{IN}} = -\frac{1 + sR_3C_3}{sR_5C_3} \quad (19)$$

The (s) indicates that the transfer function varies as a function of frequency. This configuration introduces a gain and zero, expressed by:

$$|H(s)| = \frac{R_3}{R_5} \quad (20)$$

$$F_z = \frac{1}{2 \times \pi \times R_3 \times C_3} \quad (21)$$

First select the desired zero-crossover frequency (F_o):

$$F_o > F_{ESR} \text{ and } F_o \leq (1/5 \sim 1/10) \times F_s \quad (22)$$

Use the following equation to calculate R3:

$$R_3 = \frac{V_{osc} \times F_o \times F_{ESR} \times R_5}{PV_{in} \times F_{LC}^2} \quad (23)$$

Where:

PV_{in} = Maximum Input Voltage

V_{osc} = Effective amplitude of the oscillator ramp

F_o = Crossover Frequency

F_{ESR} = Zero Frequency of the Output Capacitor

F_{LC} = Resonant Frequency of the Output Filter

R_5 = Feedback Resistor

To cancel one of the LC filter poles, place the zero before the LC filter resonant frequency pole:

$$F_z = 75\% \times F_{LC}$$

$$F_z = 0.75 \times \frac{1}{2 \times \pi \sqrt{L_o \times C_o}} \quad (24)$$

Use equation (22), (23) and (24) to calculate C3.

One more capacitor is sometimes added in parallel with C3 and R3. This introduces one more pole which is mainly used to suppress the switching noise.

The additional pole is given by:

$$F_p = \frac{1}{2 \times \pi \times R_3 \times \frac{C_3 \times C_{POLE}}{C_3 + C_{POLE}}} \quad (25)$$

The pole sets to one half of the switching frequency which results in the capacitor C_{POLE} :

$$C_{POLE} = \frac{1}{\pi \times R_3 \times F_s - \frac{1}{C_3}} \cong \frac{1}{\pi \times R_3 \times F_s} \quad (26)$$

For a general unconditional stable solution for any type of output capacitors with a wide range of ESR values, we use a local feedback with a type III compensation network. The typically used compensation network for voltage-mode controller is shown in Figure 39.

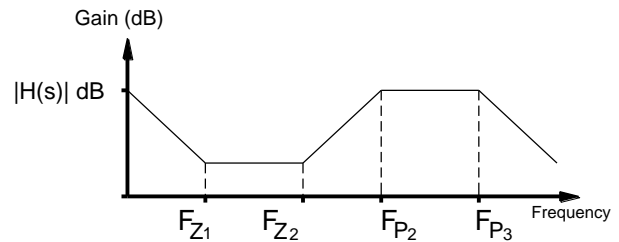
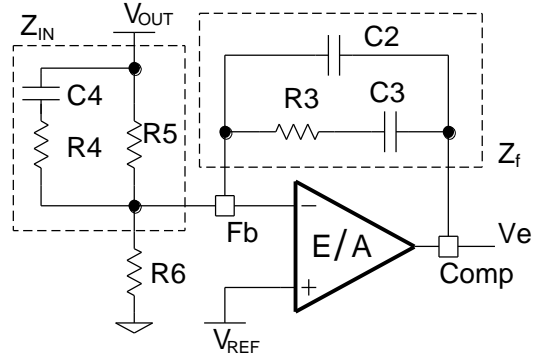


Figure 39: Type III Compensation network and its asymptotic gain plot

Again, the transfer function is given by:

$$\frac{V_e}{V_{out}} = H(s) = -\frac{Z_f}{Z_{IN}}$$

By replacing Z_{in} and Z_f according to Figure 39, the transfer function can be expressed as:

$$H(s) = -\frac{(1 + sR_3C_3)[1 + sC_4(R_4 + R_5)]}{sR_5(C_2 + C_3)\left[1 + sR_3\left(\frac{C_2 \times C_3}{C_2 + C_3}\right)\right](1 + sR_4C_4)} \quad (27)$$

The compensation network has three poles and two zeros and they are expressed as follows:

$$F_{p1} = 0 \quad (28)$$

$$F_{p2} = \frac{1}{2\pi \times R_4 \times C_4} \quad (29)$$

$$F_{p3} = \frac{1}{2\pi \times R_3 \left(\frac{C_2 \times C_3}{C_2 + C_3}\right)} \cong \frac{1}{2\pi \times R_3 \times C_2} \quad (30)$$

$$F_{Z1} = \frac{1}{2\pi \times R_3 \times C_3} \quad (31)$$

$$F_{Z2} = \frac{1}{2\pi \times C_4 \times (R_3 \times R_5)} \cong \frac{1}{2\pi \times C_4 \times R_5} \quad (32)$$

Cross over frequency is expressed as:

$$F_o = R_3 \times C_4 \times \frac{PV_{in}}{V_{osc}} \times \frac{1}{2\pi \times L_o \times C_o} \quad (33)$$

Based on the frequency of the zero generated by the output capacitor and its ESR, relative to the crossover frequency, the compensation type can be different. Table 5 shows the compensation types for relative locations of the crossover frequency.

Table 5: Different types of compensators

Compensator Type	F_{ESR} vs F_o	Typical Output Capacitor
Type II	$F_{LC} < F_{ESR} < F_o < F_s/2$	Electrolytic
Type III	$F_{LC} < F_o < F_{ESR}$	SP Cap, Ceramic

The higher the crossover frequency is, the potentially faster the load transient response will be. However, the crossover frequency should be low enough to allow attenuation of switching noise. Typically, the control loop bandwidth or crossover frequency (F_o) is selected such that:

$$F_o \leq (1/5 \sim 1/10) * F_s$$

The DC gain should be large enough to provide high DC-regulation accuracy. The phase margin should be greater than 45° for overall stability.

In this design, we target $F_o = 75$ kHz.

The specifications

$$PV_{in} = 12V$$

$$V_o = 1.2V$$

$V_{osc} = 1.357$ (This is a function of PVin, duty cycle and switching frequency. Infineon's SupIRBuck online design tool can help the user in accounting for this operating point

dependency of the effective oscillator ramp amplitude)

$$V_{ref} = 1.2V$$

$$L_o = 0.82 \mu H$$

$$C_o = 7 \times 22\mu F, ESR \approx 3m\Omega \text{ each}$$

It must be noted here that the value of the capacitance used in the compensator design must be the small signal value. For instance, the small signal capacitance of the $22\mu F$ capacitor used in this design is $14\mu F$ at 1.2 V DC bias and 607 kHz frequency. It is this value that must be used for all computations related to the compensation. The small signal value may be obtained from the manufacturer's datasheets, design tools or SPICE models. Alternatively, they may also be inferred from measuring the power stage transfer function of the converter and measuring the double pole frequency F_{LC} and using equation (22) to compute the small signal C_o .

These result to:

$$F_{LC} = 17.75 \text{ kHz}$$

$$F_{ESR} = 1902 \text{ kHz}$$

$$F_s/2 = 300 \text{ kHz}$$

Select crossover frequency $F_o = 80$ kHz

Since $F_{LC} < F_o < F_s/2 < F_{ESR}$, Type III is selected to place the pole and zeros.

Detailed calculation of compensation Type III:

Desired Phase Margin $\Theta = 70^\circ$

$$F_{Z2} = F_o \sqrt{\frac{1 - \sin \Theta}{1 + \sin \Theta}} = 14.11 \text{ kHz}$$

$$F_{P2} = F_o \sqrt{\frac{1 + \sin \Theta}{1 - \sin \Theta}} = 453.7 \text{ kHz}$$

Select:

$$F_{Z1} = 0.5 \times F_{Z2} = 7.05 \text{ kHz and}$$

$$F_{P3} = 0.5 \times F_s = 300 \text{ kHz}$$

Select $C_4 = 2.2nF$.

Calculate R_3 , C_3 and C_2 :

$$R_3 = \frac{2 \times \pi \times F_o \times L_o \times C_o \times V_{osc}}{C_4 \times PV_{in}}; R_3 = 2.01 \text{ k}\Omega,$$

Select: $R_3 = 2 \text{ k}\Omega$

$$C_3 = \frac{1}{2 \times \pi \times F_{Z1} \times R_3}; C_3 = 11.05 \text{ nF, Select: } C_3 = 10 \text{ nF}$$

$$C_2 = \frac{1}{2 \times \pi \times F_{P3} \times R_3}; C_2 = 265 \text{ pF, Select: } C_2 = 270 \text{ pF}$$

Calculate R_4 , R_5 and R_6 :

$$R_4 = \frac{1}{2 \times \pi \times C_4 \times F_{P2}}; R_4 = 160 \text{ }\Omega, \text{ Select } R_4 = 130 \text{ }\Omega$$

$$R_5 = \frac{1}{2 \times \pi \times C_4 \times F_{Z2}}; R_5 = 5\text{k}\Omega, \text{ Select } R_5 = 4.02 \text{ k}\Omega$$

In digital mode, R_6 is not necessary.

Setting the Power Good Threshold

In digital mode, the PMBus commands POWER_GOOD_ON and POWER_GOOD_OFF, or the corresponding registers may be used to adjust the power good thresholds to within 630 mV of the output voltage (for output voltages <2.555V). In this design, the power good thresholds have been set such that the Power Good is asserted when the output voltage rises above 1.074V, and is de-asserted when the output voltage falls below 1V, giving 74mV of hysteresis.

In this design, a power good assertion delay of 0 ms was programmed. Therefore, the PGood signal asserts as soon as the output voltage rises above the power good assertion threshold, and remains asserted until the output voltage drops below the power good de-assertion threshold. There is a fixed

160us delay for power good de-assertion. It should be noted, however, that an overvoltage condition or any fault condition that causes a shutdown will lead to PGood de-assertion without any delay.

Selecting Power Good Pull-Up Resistor

The PGood is an open drain output and require pull up resistors to VCC. The value of the pull-up resistors should limit the current flowing into the PGood pin to less than 5mA. A typical value used is 4.99k Ω .

Setting the Overvoltage Threshold

In digital mode, the overvoltage protection threshold may be programmed using the PMBus command VOUT_OV_FAULT_LIMIT, or the corresponding configuration registers, to within 655 mV of the output voltage (for output voltages <2.555V). In this design, the threshold has been set to 1.5V. The fault response has been set to shutdown, so that an overvoltage condition will cause the part to shutdown with the sync FET remaining on until the voltage drops 5% below the overvoltage threshold. In analog

Setting the Overcurrent Threshold

For this 6A design, the overcurrent protection threshold has been programmed such that the part goes into a hiccup current limiting mode when the inductor valley current exceeds 9A, or when the load current exceeds ~10.1A.

Communicating on the I2C/PMBus

In order to enable digital mode, as explained earlier, a resistor needs to be connected from the ADDR pin to LGnd. In this design, R_{ADDR} was chosen to be 0 ohm, to have no offset from the base i2c/PMBus address.

Further, Infineon's PowIRCenter USB-to-I2C dongles have their SCL and SDA lines internally pulled up to 3.3V. Therefore, although this design provides placeholders for the bus pullups, they may be left unpopulated if the PowIRCenter dongle is used. The $\overline{\text{SAtErt}}$ line is pulled up to Vcc with a 4.99K resistor.

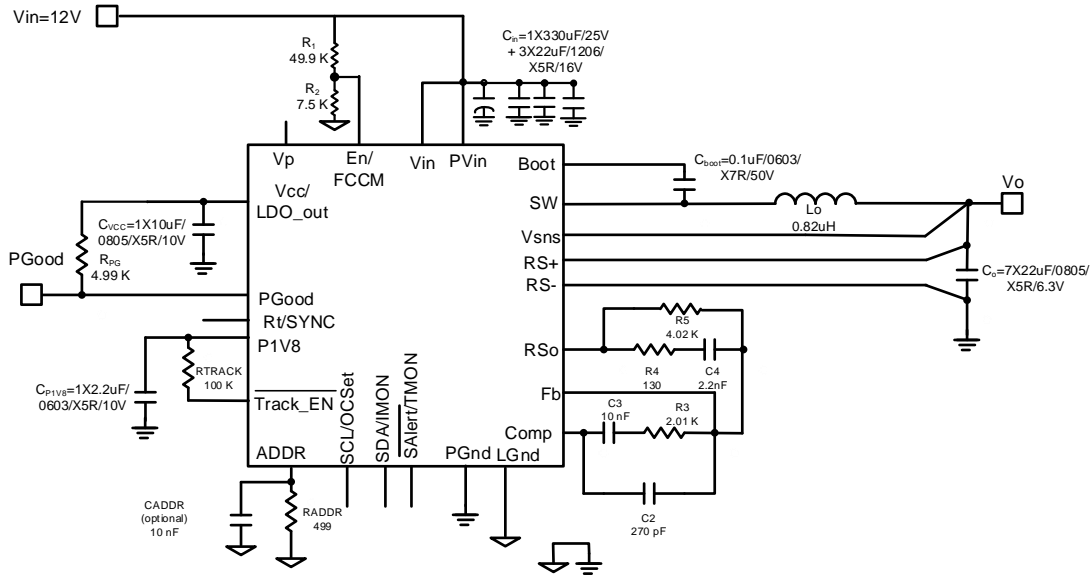


Figure 40: Application circuit for a single supply, 12V to 1.2V, 6A Point of Load Converter

TYPICAL OPERATING WAVEFORMS

$V_{in} = P_{Vin} = 12V$, $V_{out} = 1.2V$, $I_{out} = 0-6A$, Room Temperature, No Air Flow

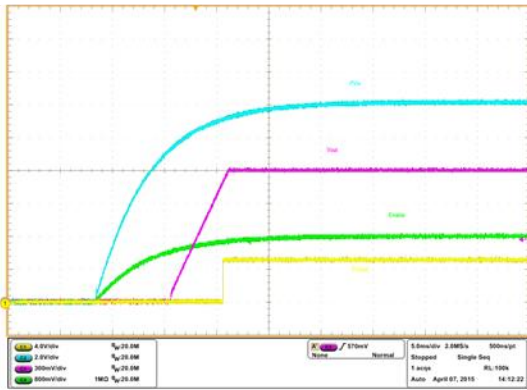


Figure 41: P_{Vin} Start up at 6A Load
 $Ch_1:P_{Good}$, $Ch_2:P_{Vin}$, $Ch_3:V_{out}$, $Ch_4:Enable$

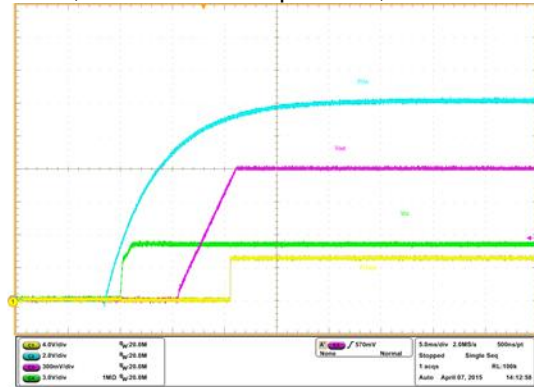


Figure 42: P_{Vin} Start up at 6A Load
 $Ch_1:P_{Good}$, $Ch_2:P_{Vin}$, $Ch_3:V_{out}$, $Ch_4:V_{cc}$

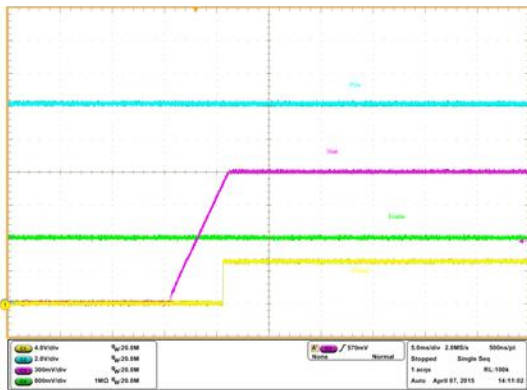


Figure 43: Operation 80, Turn ON without margining, 6A load
 $Ch_1:P_{Good}$, $Ch_2:P_{Vin}$, $Ch_3:V_{out}$, $Ch_4:Enable$

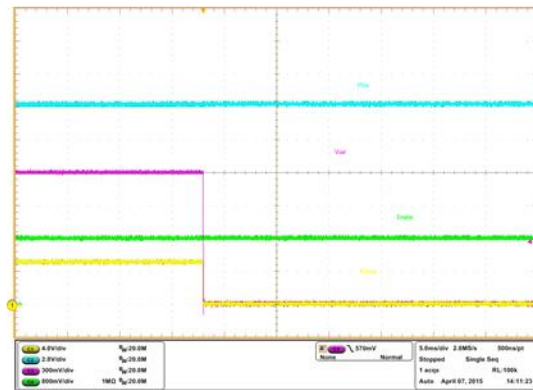


Figure 44: Operation 00, Immediate OFF, 6A load
 $Ch_1:P_{Good}$, $Ch_2:P_{Vin}$, $Ch_3:V_{out}$, $Ch_4:Enable$

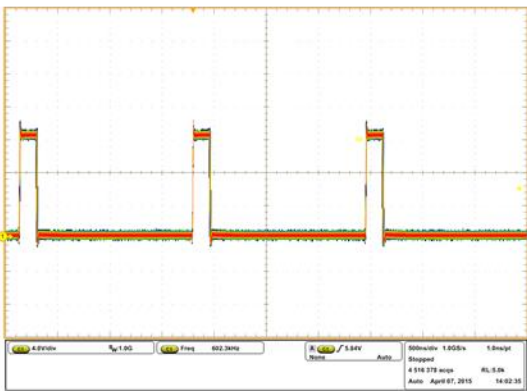


Figure 45: Inductor node at 6A load
 $Ch_1:SW$ node

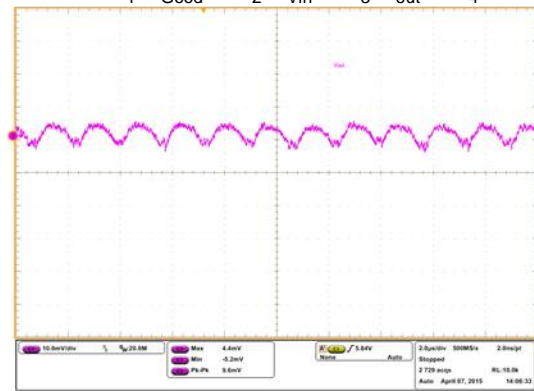


Figure 46: Output voltage ripple at 6A load
 $Ch_3:V_{out}$

TYPICAL OPERATING WAVEFORMS

$V_{in} = P_{Vin} = 12V$, $V_{out} = 1.2V$, $I_{out} = 0-6A$, Room Temperature, No Air Flow

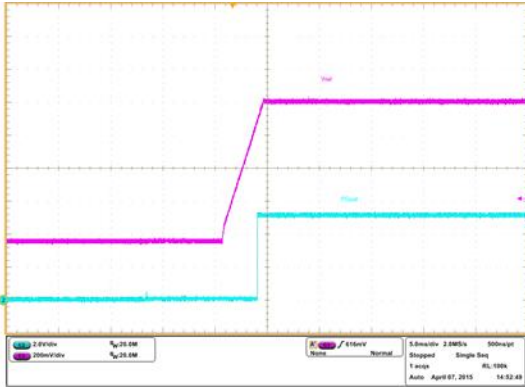


Figure 47: 0.4V Prebias voltage startup at 0A load
 $Ch_2: P_{Good}, Ch_3: V_{out}$

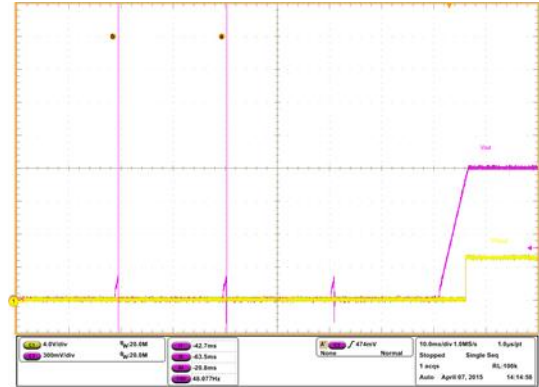


Figure 48: Short-circuit recovery (Hiccup) at 6A load
 $Ch_1: P_{Good}, Ch_3: V_{out}$

TYPICAL OPERATING WAVEFORMS

$V_{in} = P_{Vin} = 12V$, $V_{out} = 1.2V$, $I_{out} = 0-6A$, Room Temperature, No Air Flow

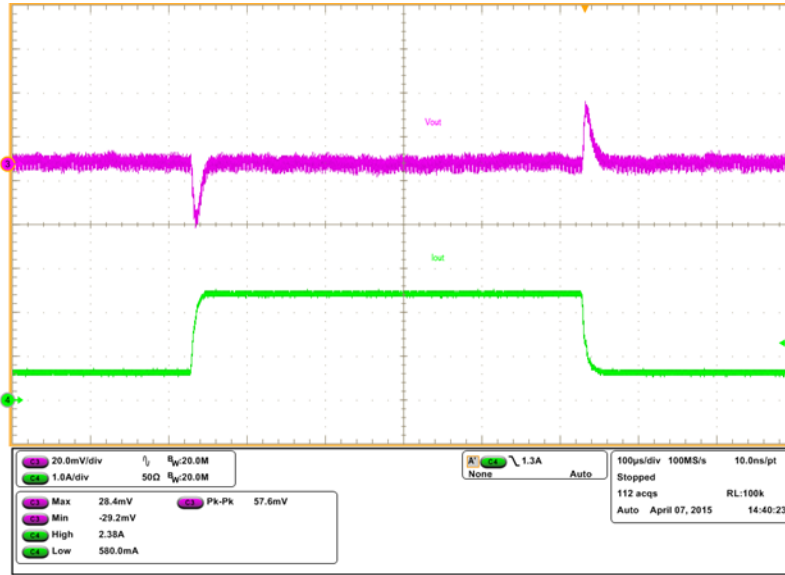


Figure 49: Transient Response, 0.6A to 2.4A step (2.5A/us)
 $Ch_3: V_{out}$, $Ch_4: I_{out}$

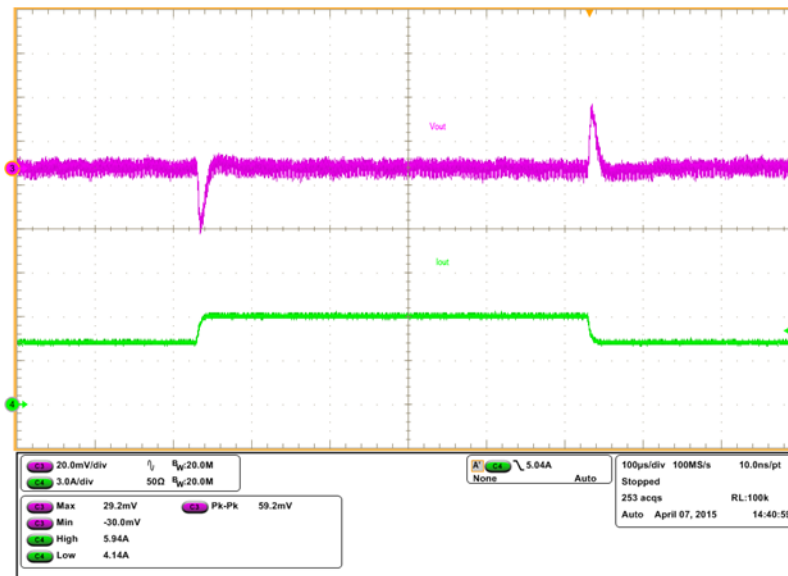


Figure 50: Transient Response, 4.2A to 6A step (2.5A/us)
 $Ch_3: V_{out}$, $Ch_4: I_{out}$

TYPICAL OPERATING WAVEFORMS

Vin = PVin = 12V, Vout = 1.2V, Iout = 0-6A, Room Temperature, No Air Flow

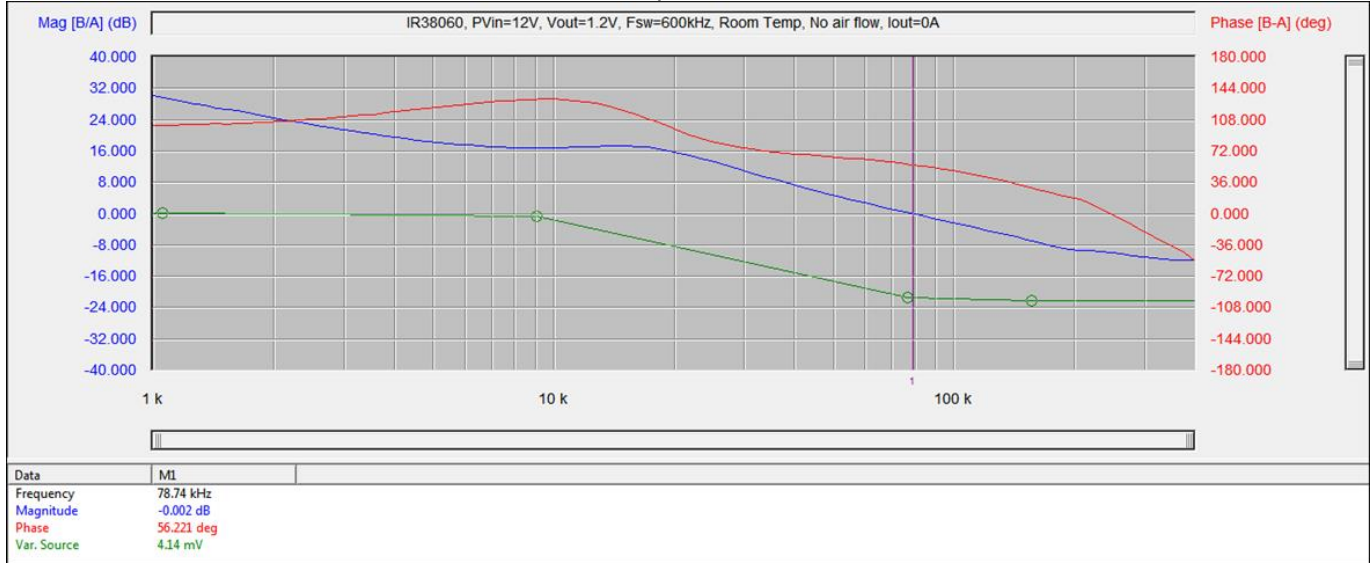


Figure 51: Bode Plot at 0A load
Bandwidth = 78.7kHz, Phase Margin = 56.21°

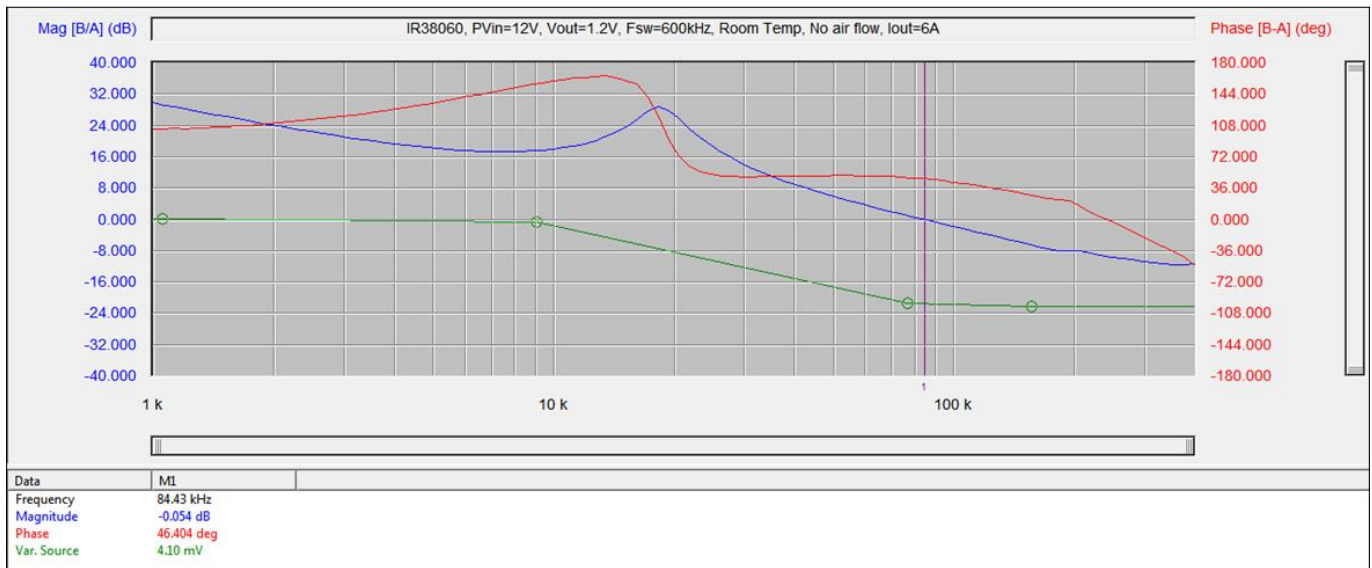


Figure 52: Bode Plot at 6A load
Bandwidth = 84.4kHz, Phase Margin = 46.6°

TYPICAL OPERATING WAVEFORMS

$V_{in} = P_{Vin} = 12V$, $V_{out} = 1.2V$, $I_{out} = 0-6A$, Room Temperature, No Air Flow

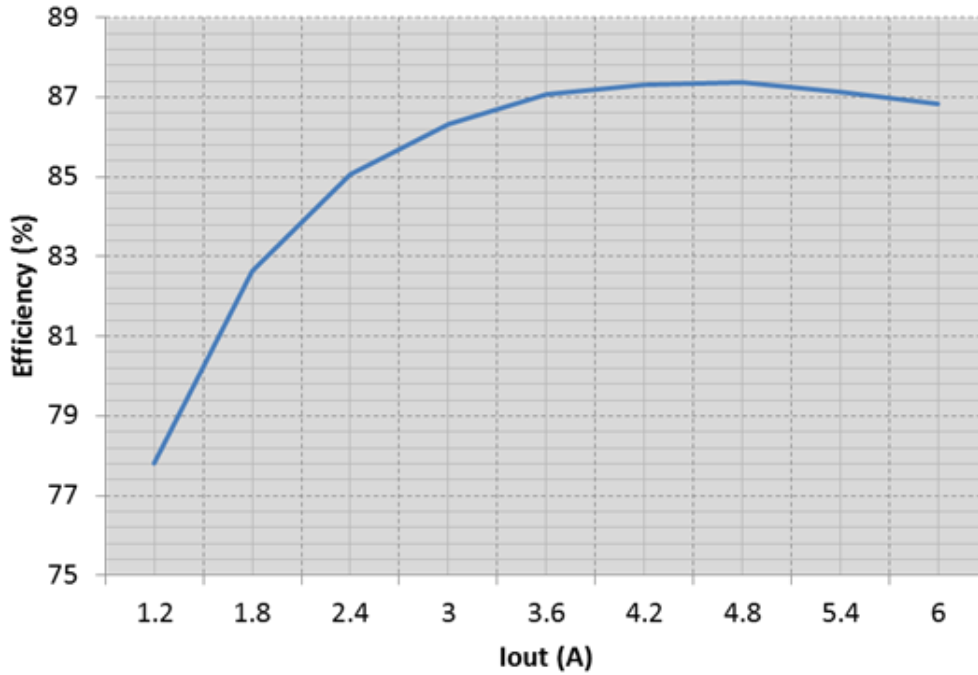


Figure 53: Efficiency versus load current

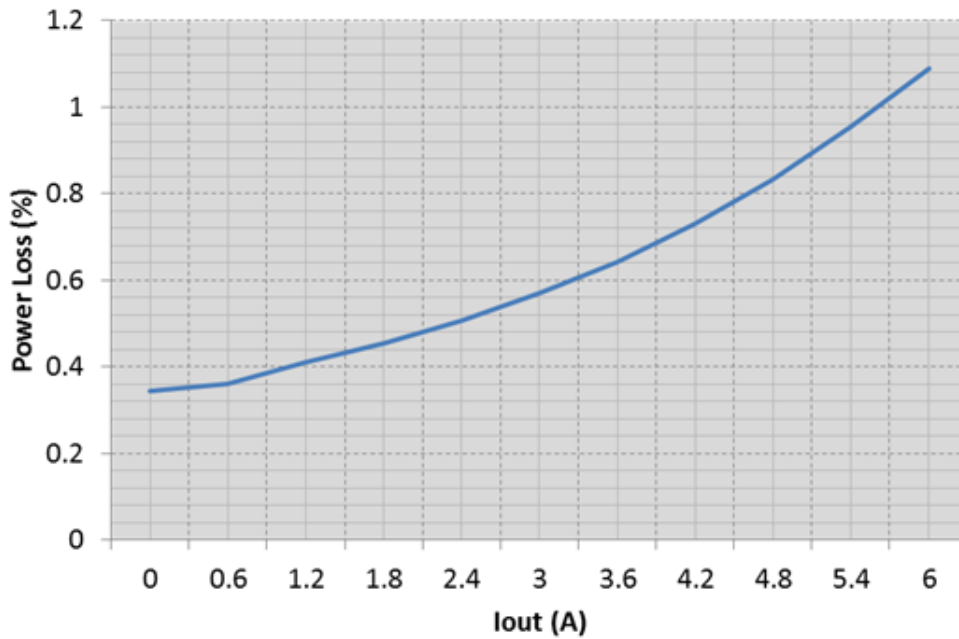


Figure 54: Power loss versus load current

TYPICAL OPERATING WAVEFORMS

Vin = PVin = 12V, Vout = 1.2V, Iout = 0-6A, Room Temperature, No Air Flow

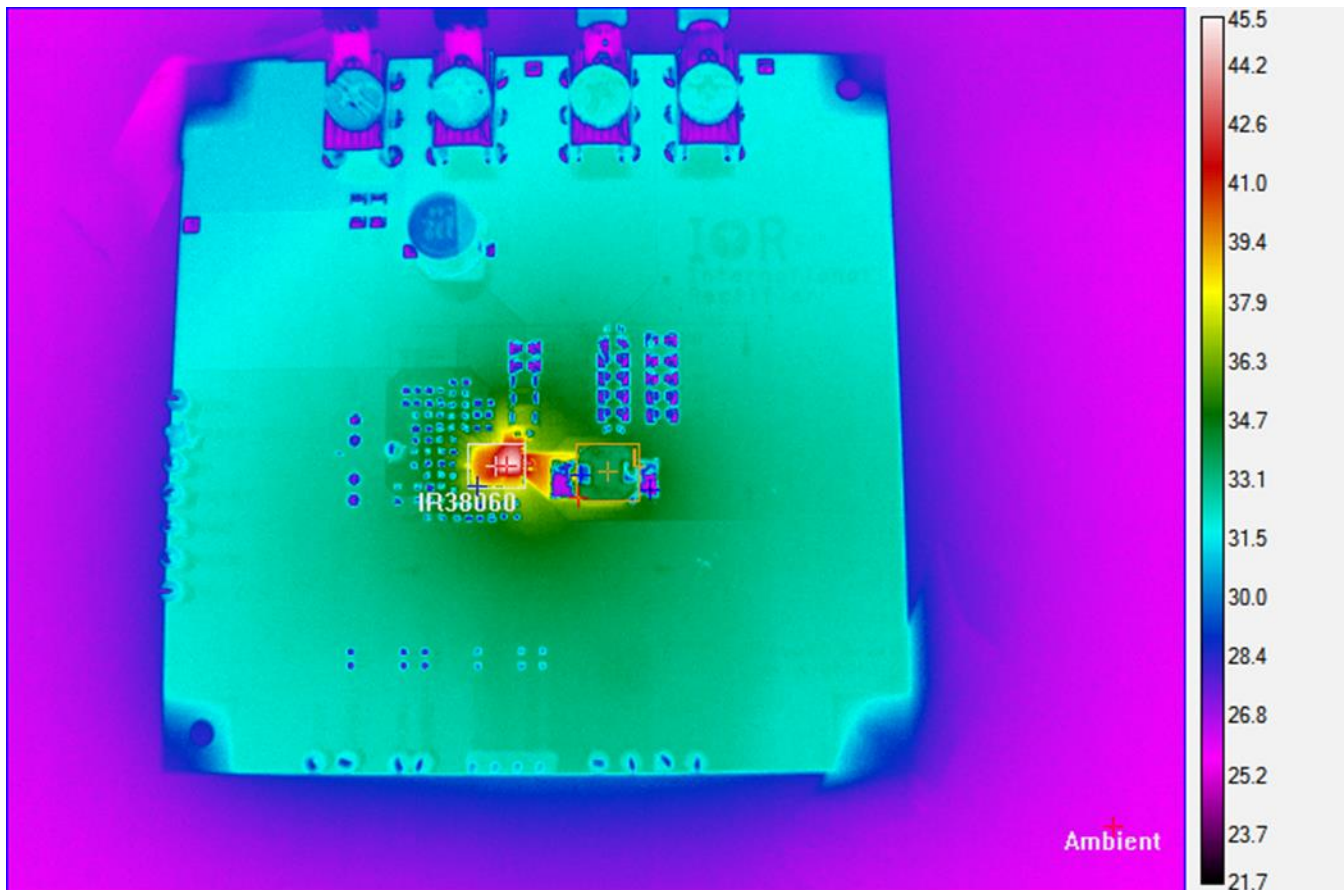


Figure 55: Thermal Image of the board at 6A load
 IR38060: 45.5 °C, inductor: 37.2 °C, Ambient: 25.3 °C

01	OPERATION	On	45	VOUT_UV_FAULT_RESPONSE	Ignore	64	TOFF_DELAY	0.0 ms
02	ON_OFF_CONFIG	0x1F	46	IOUT_OC_FAULT_LIMIT	9.000 A	65	TOFF_FALL	6.0 ms
10	WRITE_PROTECT	0x00	47	IOUT_OC_FAULT_RESPONSE	Immediate off, retry after 20ms	78	STATUS_BYTE	0x00
19	CAPABILITY	0xB0	4A	IOUT_OC_WARN_LIMIT	7.500 A	79	STATUS_WORD	0x0000
1B	SMBALERT_MASK		4F	OT_FAULT_LIMIT	145 °C	7A	STATUS_VOUT	0x00
	STATUS_VOUT	00	50	OT_FAULT_RESPONSE	Inhibit	7B	STATUS_IOUT	0x00
	STATUS_IOUT	00	51	OT_WARN_LIMIT	125 °C	7C	STATUS_INPUT	0x00
	STATUS_INPUT	00	55	VIN_OV_FAULT_LIMIT	24.000 V	7D	STATUS_TEMPERATURE	0x00
	STATUS_TEMPERATURE	00	56	VIN_OV_FAULT_RESPONSE	Ignore	7E	STATUS_CML	0x00
	STATUS_CML	00	58	VIN_UV_WARN_LIMIT	0.50 V	88	READ_VIN	12.156 V
21	VOUT_COMMAND	1.199 V	5E	POWER_GOOD_ON	1.074 V	8B	READ_VOUT	1.191 V
22	VOUT_TRIM	0.000 V	5F	POWER_GOOD_OFF	1.000 V	8C	READ_IOUT	0.000 A
24	VOUT_MAX	6.000 V	60	TON_DELAY	0.0 ms	8D	READ_TEMPERATURE_1	26 °C
25	VOUT_MARGIN_HIGH	1.262 V	61	TON_RISE	6.0 ms	96	READ_POUT	0.000 W
26	VOUT_MARGIN_LOW	1.141 V	62	TON_MAX_FAULT_LIMIT	0.000 ms	98	PMBUS_REVISION	0x22
27	VOUT_TRANSITION_RATE	0.125 mV/us	63	TON_MAX_FAULT_RESPONSE	Ignore	99	MFR_ID	IR
29	VOUT_SCALE_LOOP	1.000	64	TOFF_DELAY	0.0 ms	9A	MFR_MODEL	0x30
33	FREQUENCY_SWITCH	600 KHz	65	TOFF_FALL	6.0 ms	9B	MFR_REVISION	0x04
35	VIN_ON	1.000 V	78	STATUS_BYTE	0x00	AD	IC_DEVICE_ID	0x30
36	VIN_OFF	0.500 V	79	STATUS_WORD	0x0000	AE	IC_DEVICE_REV	0x04
39	IOUT_CAL_OFFSET	0.000 A	7A	STATUS_VOUT	0x00	D6	MFR_I2C_ADDRESS	0x10
40	VOUT_OV_FAULT_LIMIT	1.500 V	7B	STATUS_IOUT	0x00	D8	MFR_TPGDLY	0 ms
41	VOUT_OV_FAULT_RESPONSE	Shutdown	7C	STATUS_INPUT	0x00	D9	MFR_FCCM	Forced Cont. Conduction M...
42	VOUT_OV_WARN_LIMIT	1.379 V	7D	STATUS_TEMPERATURE	0x00	DB	MFR_VOUT_PEAK	1.191 V
43	VOUT_UV_WARN_LIMIT	1.020 V	7E	STATUS_CML	0x00	DC	MFR_IOUT_PEAK	0.0 A
44	VOUT_UV_FAULT_LIMIT	0.961 V	88	READ_VIN	11.969 V	DD	MFR_TEMP_PEAK	26 °C

Figure 56: PMBus Command Summary for the 1.2V design

I2C PROTOCOLS

All registers may be accessed using either I2C or PMBus protocols. I2C allows the use of a simple format whereas PMBus provides error checking capability. Figure 57 shows the I2C format employed by Manhattan

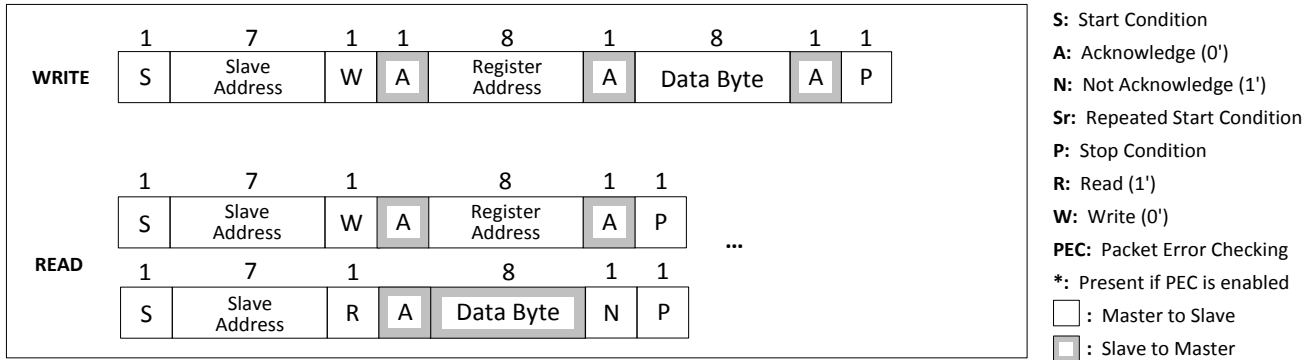


Figure 57: I2C Format

SMBUS/PMBUS PROTOCOLS

To access IR's configuration and monitoring registers, 4 different protocols are required:

- the SMBus Read/Write Byte/Word protocol with/without PEC (for status and monitoring)
- the SMBus Send Byte protocol with/without PEC (for CLEAR_FAULTS only)
- the SMBus Block Read protocol for accessing Model and Revision information
- the SMBus Process call (for accessing Configuration Registers)

In addition, Manhattan supports:

- Alert Response Address (ARA)
- Bus timeout (10ms)
- Group Command for writing to many VRs within one command

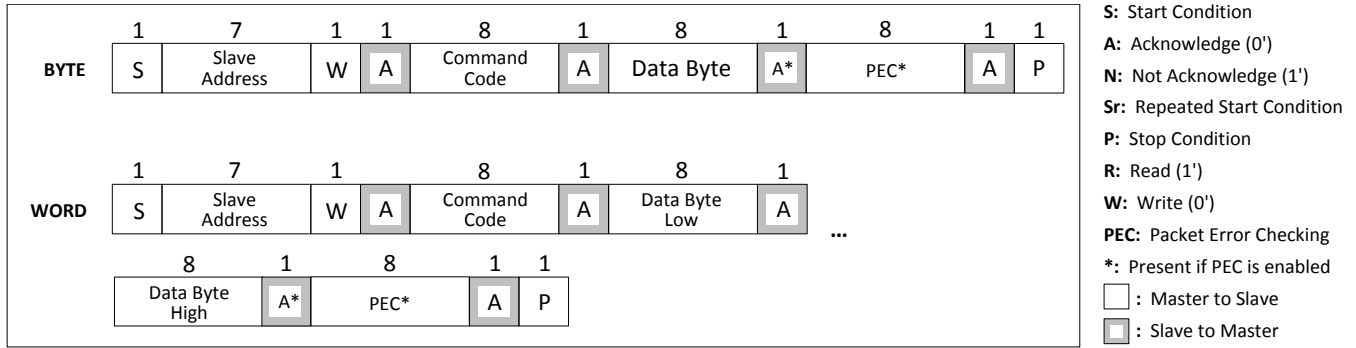


Figure 58: SMBus Write Byte/Word

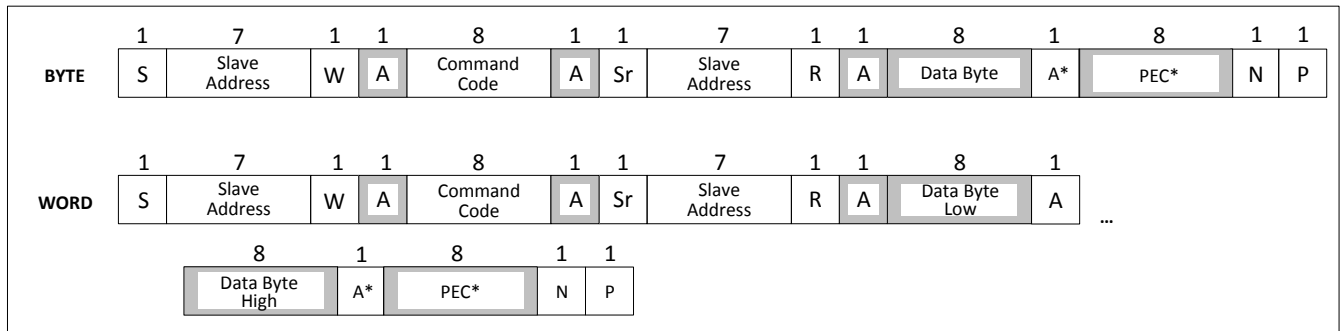


Figure 59: SMBus Read Byte/Word

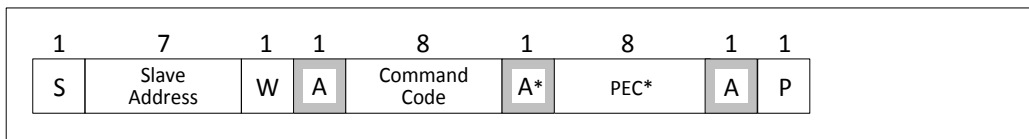


Figure 60: SMBus Send Byte

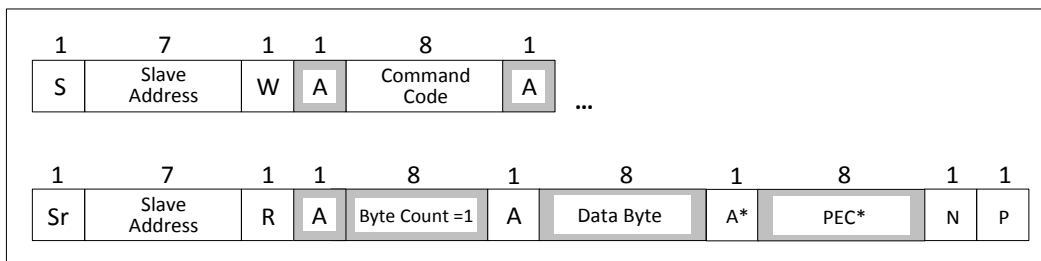


Figure 61: SMBus Block Read with Byte Count=1



Figure 62: MFR specific command to Write an internal Register

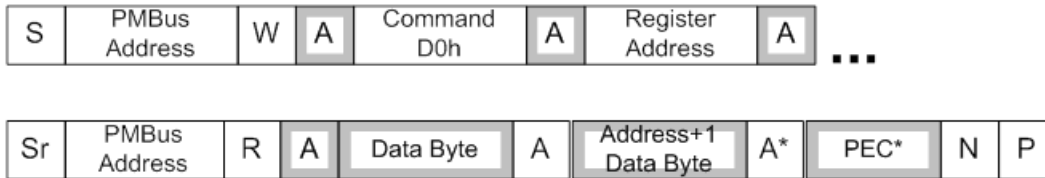


Figure 63: SMBus Custom Process Call to Read an internal Register

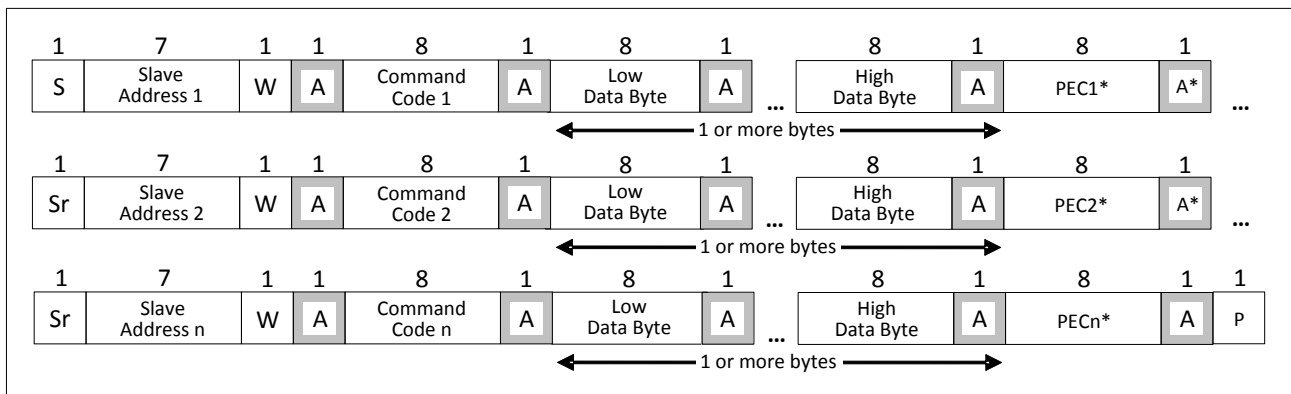


Figure 64: Group Command

LAYOUT RECOMMENDATIONS

The layout is very important when designing high frequency switching converters. Layout will affect noise pickup and can cause a good design to perform with less than expected results.

Make the connections for the power components in the top layer with wide, copper filled areas or polygons. In general, it is desirable to make proper use of power planes and polygons for power distribution and heat dissipation.

The input capacitors, inductor, output capacitors and the IR38060 should be as close to each other as possible. This helps to reduce the EMI radiated by the power traces due to the high switching currents through them. Place the input capacitor directly at the PVin pin of IR38060.

The feedback part of the system should be kept away from the inductor and other noise sources.

The critical bypass components such as capacitors for Vin, VCC and 1.8V should be close to their respective pins. It is important to place the feedback components including feedback resistors and compensation components close to Fb and Comp pins.

In a multilayer PCB use one layer as a power ground plane and have a control circuit ground (analog ground), to which all signals are referenced. The goal is to localize the high current path to a separate loop that does not interfere with the more sensitive analog control function. These two grounds must be connected together on the PC board layout at a single point. It is recommended to place all the compensation parts over the analog ground plane in top layer.

The Power QFN is a thermally enhanced package. Based on thermal performance it is recommended to use at least a 6-layers PCB. To effectively remove heat from the device the exposed pad should be connected to the ground plane using vias.

IR38060 has 3 pins, SCL, SDA and SALERT that are used for I2C/PMBus communication. It is recommended that the traces used for these

communication lines be at least 10 mils wide with a spacing between the SCL and SDA traces that is at least 2-3 times the trace width.

SUPPORTED PMBUS COMMANDS

Command Code	Command Name	SMBus transaction	No. of bytes	Range	Resolution	Default Value	Description
01h	OPERATION	R/W Byte	1				Enables or disables the device and controls margining
02h	ON_OFF_CONFIG	R/W Byte	1				Configures the combination of Enable pin input and serial bus commands needed to turn the unit on and off.
03h	CLEAR_FAULTS	Send Byte	0				Clear contents of Fault registers
10h	WRITE_PROTECT	R/W Byte	1				Used to control writing to the PMBus device. The intent of this command is to provide protection against accidental changes.
15h	STORE_USER_ALL	Send Byte	0				Burns the User section registers into OTP memory
16h	RESTORE_USER_ALL	Send Byte	0				Copies the OTP registers into User memory
19h	CAPABILITY	Read Byte	1				Returns 1011xxxx to indicate Packet Error Checking is supported, maximum bus speed is 400kHz and SMBAlert# is supported.
1Bh	SMBALERT_MASK	Write word/Block read Process call	2				May be used to prevent a warning or fault condition from asserting the SMBALERT# signal.
21h	VOUT_COMMAND ¹⁶	R/W Word	2	0-2.555V/V _S	5mV/V _S	0.5V	Causes the device to set its output voltage to the commanded value. V _S = VOUT_SCALE_LOOP
22h	VOUT_TRIM ¹⁶	R/W Word	2	-128-+128V		0V	Available to the device user to trim the output voltage
24h	VOUT_MAX ¹⁶	R/W Word	2			6V	Sets an upper limit on the output voltage the unit can command regardless of any other commands or combinations.
25h	VOUT_MARGIN_HIGH ¹⁶	R/W Word	2	0-2.555V/V _S	5mV/V _S	0.55V	Sets the MARGIN high voltage when commanded by OPERATION V _S = VOUT_SCALE_LOOP
26h	VOUT_MARGIN_LOW ¹⁶	R/W Word	2	0-2.555V/V _S	5mV/V _S	0.45V	Sets the MARGIN low voltage when commanded by OPERATION V _L = VOUT_SCALE_LOOP
27h	VOUT_TRANSITION_RATE ¹¹	R/W Word	2	0-127ms/us		0.125mV/us	Sets the rate in mV/μs at which the output should change voltage. Exponent 0 to -4 allowed.
29h	VOUT_SCALE_LOOP ¹¹	R/W Word	2	0.125-1		1	Compensates for external resistor divider in feedback path and in the sense path. Values 1, 0.5, 0.25, 0.125 allowed. Exponent -3 allowed.
33h	FREQUENCY_SWITCH ¹¹	R/W Word	2	166-1500kHz		607kHz	Sets the switching frequency, in kHz. Exponent 0 to 1 allowed.
35h	VIN_ON ¹¹	R/W Word	2	0-16.5V	0.5V	1V	Sets the value of the input voltage, in volts, at which the unit should start power conversion. Exponent -1 allowed.
36h	VIN_OFF ¹¹	R/W Word	2	0-16V	0.5V	0.5V	Sets the value of the input voltage, in volts, at which the unit, once operation has started, should stop power conversion. Exponent -1 allowed.
39h	IOUT_CAL_OFFSET ¹¹	R/W Word	2	-128A-+127.5A	0.5A	0A	Used to null out any offsets in the output current sensing circuit. Exponent -1 allowed.
40h	VOUT_OV_FAULT_LIMIT ¹⁶	R/W Word	2	(25-655mV)/V _S	10mV/V _S	0.605V	Sets the value of the output voltage measured at the sense pin that causes an output overvoltage fault. V _S = VOUT_SCALE_LOOP
41h	VOUT_OV_FAULT_RESPONSE	R/W Byte	1	Ignore/Shutdown		Shutdown	Instructs the device on what action to take in response to an output overvoltage fault.
42h	VOUT_OV_WARN_LIMIT ¹⁶	R/W Word	2		3.9mV	0.56V	Sets the value of the output voltage at the sense pin that causes an output voltage high warning.

43h	VOUT_UV_WARN_LIMIT ¹⁶	R/W Word	2		3.9mV	0.44V	Sets the value of the output voltage at the Sense pin that causes an output voltage low warning.
44h	VOUT_UV_FAULT_LIMIT ¹⁶	R/W Word	2		3.9mV	0.395V	Sets the value of the output voltage at the sense pin that causes an output undervoltage fault.
45h	VOUT_UV_FAULT_RESPONSE	R/W Byte	1	Ignore/Shut down		Ignore	Instructs the device on what action to take in response to an output undervoltage fault.
46h	IOUT_OC_FAULT_LIMIT ¹¹	R/W Word	2	3-10A	0.5A	9A	Sets the value of the output current, in amperes, that causes the overcurrent detector to indicate an overcurrent fault. Exponent -1 allowed.
47h	IOUT_OC_FAULT_RESPONSE	R/W Byte	1			Pulse by pulse for 8 cycles, then hiccup or latch off	Instructs the device on what action to take in response to an output overcurrent fault.
4Ah	IOUT_OC_WARN_LIMIT ¹¹	R/W Word	2	0-63.5A	0.5A	7.5A	Sets the value of the output current, in amperes, that causes the overcurrent detector to indicate an overcurrent warning. Exponent -1 allowed.
4Fh	OT_FAULT_LIMIT ¹¹	R/W Word	2	0-150°C	1°C	145°C	Set the temperature, in degrees Celsius, of the unit at which it should indicate an Overtemperature Fault. Exponent 0 allowed.
50h	OT_FAULT_RESPONSE	R/W Byte	1	Ignore/Shut down/Inhibit		Inhibit	Instructs the device on what action to take in response to an overtemperature fault.
51h	OT_WARN_LIMIT ¹¹	R/W Word	2	0-150°C	1°C	125°C	Set the temperature, in degrees Celsius, of the unit at which it should indicate an Overtemperature Warning alarm. Exponent 0 allowed.
55h	VIN_OV_FAULT_LIMIT ¹¹	R/W Word	2	6.25V-24V	0.25V	24V	Sets the value of the input voltage that causes an input overvoltage fault. Exponent -2 allowed.
56h	VIN_OV_FAULT_RESPONSE	R/W Byte	1	Ignore/Shut down		Shutdown	Instructs the device on what action to take in response to an input overvoltage fault.
58h	VIN_UV_WARN_LIMIT ¹¹	R/W Word	2	0-16V	0.5V	0.5V	Sets the value of the input voltage PVin, in volts, that causes an input overvoltage fault. Exponent -1 allowed.
5Eh	POWER_GOOD_ON ¹⁶	R/W Word	2	(0-0.63V)/Vs	10mV/Vs	0.45V	Sets the output voltage at which an optional POWER_GOOD signal should be asserted. Vs=VOUT_SCALE_LOOP
5Fh	POWER_GOOD_OFF ¹⁶	R/W Word	2	(0-0.63V)/Vs	10mV/Vs	0.42V	Sets the output voltage at which an optional POWER_GOOD signal should be negated. Vs=VOUT_SCALE_LOOP
60h	TON_DELAY ¹¹	R/W Word	2	0-127ms	1ms	0ms	Sets the time, in milliseconds, from when a start condition is received (as programmed by the ON_OFF_CONFIG command) until the output voltage starts to rise. Exponent 0 allowed.
61h	TON_RISE ¹¹	R/W Word	2	0-127ms	1ms	2ms	Sets the time, in milliseconds, from when the output starts to rise until the voltage has entered the regulation band. Exponent 0 allowed.
62h	TON_MAX_FAULT_LIMIT ¹¹	R/W Word	2	0-127ms	1ms	0 (No limit)	Sets an upper limit, in milliseconds, on how long the unit can attempt to power up the output without reaching the output undervoltage fault limit. Exponent 0 allowed.
63h	TON_MAX_FAULT_RESPONSE	R/W Byte	1	Ignore/Shut down		Ignore	Instructs the device on what action to take in response to a TON_MAX fault.
64h	TOFF_DELAY (not supported)	R/W Word	2	0-127ms	1ms	0ms	Sets the time, in milliseconds, from a stop condition is received (as programmed by the ON_OFF_CONFIG command) until the unit stops transferring energy to the output. Exponent 0 allowed.
65h	TOFF_FALL (not supported)	R/W Word	2	0-127ms	1ms	1ms	Device will acknowledge this command but ignore it.

78h	STATUS_BYTE	Read Byte	1			Returns 1 byte where the bit meanings are: Bit <7> device busy fault Bit <6> output off (due to fault or enable) Bit <5> Output over-voltage fault Bit <4> Output over-current fault Bit <3> Input Under-voltage fault Bit <2> Temperature fault Bit <1> Communication/Memory/Logic fault Bit <0>: None of the above
79h	STATUS_WORD	Read Word	2			Returns 2 bytes where the Low byte is the same as the STATUS_BYTE data. The High byte has bit meanings are: Bit <7> Output high or low fault Bit <6> Output over-current fault Bit <5> Input under-voltage fault Bit <4> Reserved; hardcoded to 0 Bit <3> Output power not good Bit <2:0> Hardcoded to 0
7Ah	STATUS_VOUT	Read Byte	1			Reports types of VOUT related faults.
7Bh	STATUS_IOUT	Read Byte	1			Reports types of IOUT related faults.
7Ch	STATUS_INPUT	Read Byte	1			Reports types of INPUT related faults.
7Dh	STATUS_TEMPERATURE	Read Byte	1			Returns Over Temperature warning and Over Temperature fault (OTP level). Does not report under temperature warning/fault. The bit meanings are: Bit <7> Over Temperature Fault Bit <6> Over Temperature Warning Bit <5> Under Temperature Warning Bit <4> Under Temperature Fault Bit <3:0> Reserved
7Eh	STATUS_CML	Read Byte	1			Returns 1 byte where the bit meanings are: Bit <7> Command not Supported Bit <6> Invalid data Bit <5> PEC fault Bit <4> OTP fault Bit <3:2> Reserved Bit<1> Other communication fault Bit<0> Other memory or logic fault; hardcoded to 0
88h	READ_VIN ¹¹	Read Word	2			Returns the input voltage in Volts
8Bh	READ_VOUT ¹⁶	Read Word	2			Returns the output voltage in Volts
8Ch	READ_IOUT ¹¹	Read Word	2			Returns the output current in Amperes
8Dh	READ_TEMPERATURE ¹¹	Read Word	2			Returns the device temperature in degrees Celcius
96h	READ_POUT ¹¹	Read Word	2			Returns the output power in Watts
98h	PMBUS_REVISION	Read Byte	1			Reports PMBus Part I rev 1.1 & PMBus Part II rev 1.2(draft)
99h	MFR_ID	Block Read/Write	3		IR	Returns 2 bytes used to read the manufacturer's ID. User can overwrite with any value.

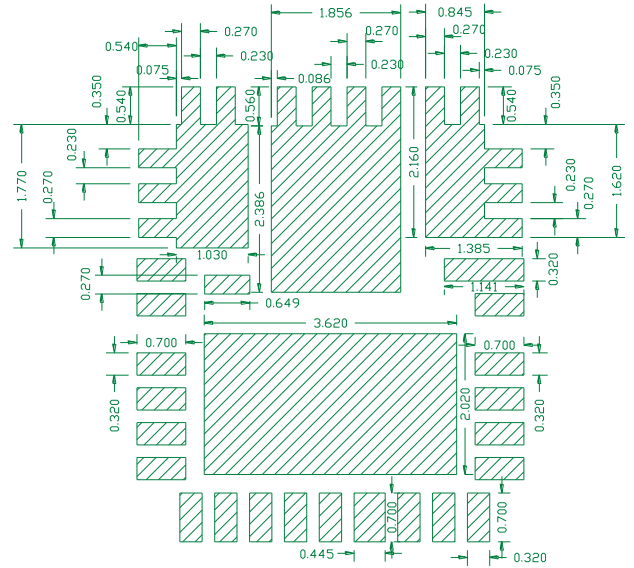
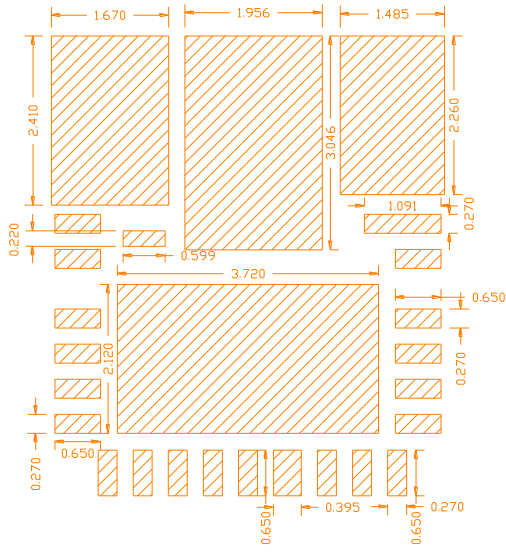
9Ah	MFR_MODEL	Block Read/Write	2			Set 00	If set to 00h, returns a 1 byte code corresponding to IC_DEVICE_ID. Alternatively, user can set to any non-zero value
9Bh	MFR_REVISION	Block Read/Write	2			Set 00	If set to 00h, returns a 1 byte code corresponding to IC_DEVICE_REV. Alternatively, user can set to any non-zero value
ADh	IC_DEVICE_ID	Block Read	2				Used to read the type or part number of an IC. IR38060: 30h IR38062: 32h IR38063: 33h IR38064:34h
A Eh	IC_DEVICE_REV	Block Read	2				Used to read the revision of the IC
D0h	MFR_READ_REG	Custom	2				Manufacturer Specific: Read from configuration registers
D1h	MFR_WRITE_REG	Custom	2				Manufacturer Specific: Write to configuration & status registers
D8h	MFR_TPGDLY	R/W Word	2	0-10ms	1ms	0ms	Sets the delay in ms, between the output voltage entering the regulation window and the assertion of the PGood signal. Exponent 0 allowed.
D9h	MFR_FCCM	R/W Byte	1	0-1		1 (CCM)	Allows the user to choose between forced continuous conduction mode and adaptive on-time operation at light load.
D6h	MFR_I2C_address	R/W Word	1	0-7Fh		10h	Sets and returns the device I2C base address
DBh	MFR_VOUT_PEAK ¹⁶	Read Word	2				Continuously records and reports the highest value of Read Vout.
DCh	MFR_IOUT_PEAK ¹¹	Read Word	2				Continuously records and reports the highest value of Read Iout.
DDh	MFR_TEMPERATURE_PEAK ¹¹	Read Word	2				Continuously records and reports the highest value of Read_Temperature

Notes

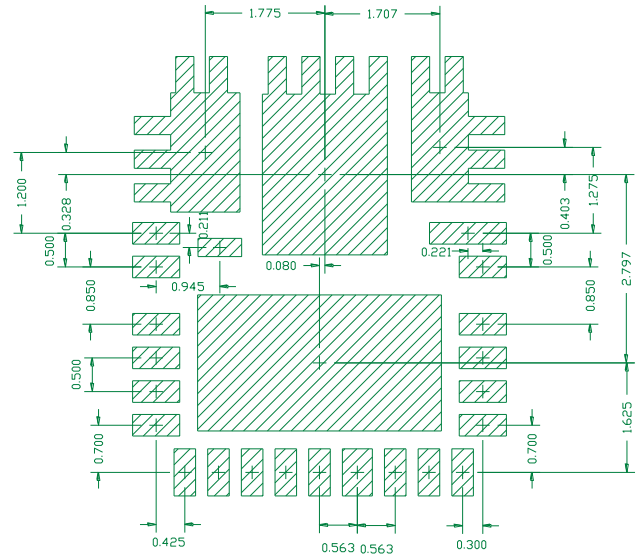
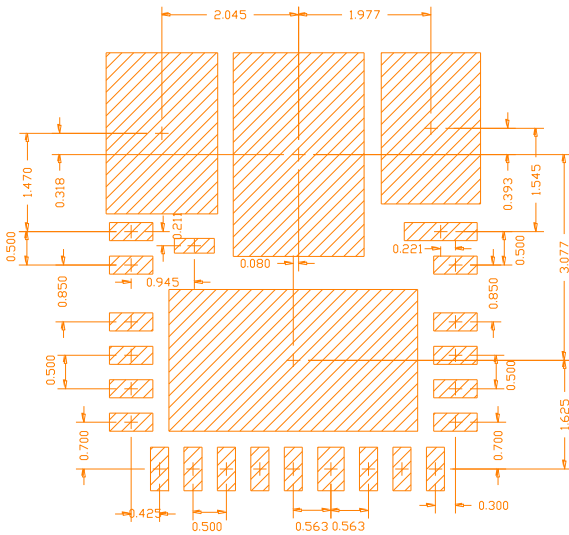
¹¹ Uses LINEAR11 format

¹⁶ Uses LINEAR16 format with exponent set to -8

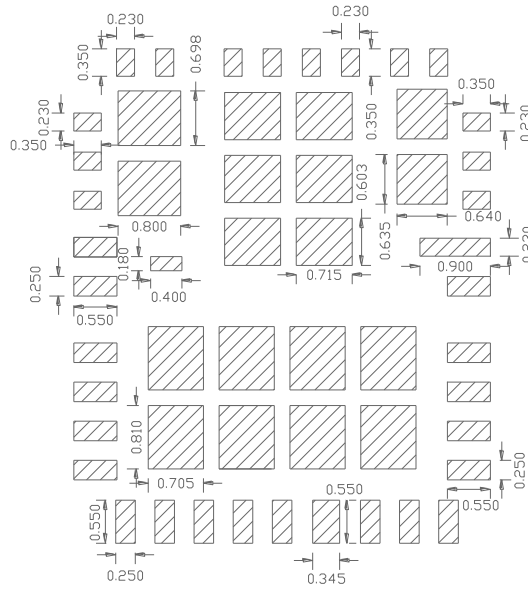
PCB CUPPER AND SOLDER MASK SIZES



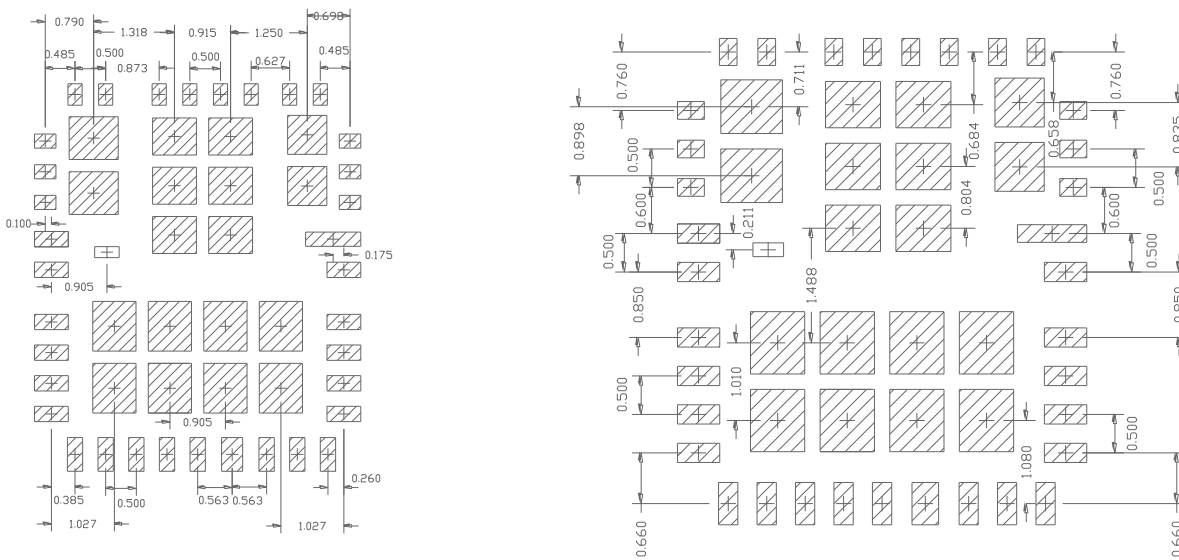
PCB CUPPER AND SOLDER MASK SPACING



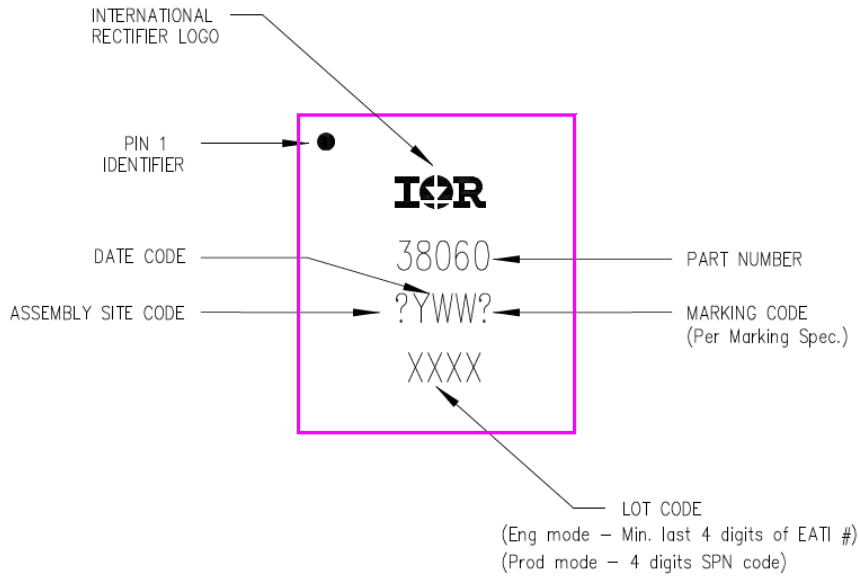
SOLDER PASTE STENCIL (PAD SIZES)



SOLDER PASTE STENCIL (PAD SPACING)

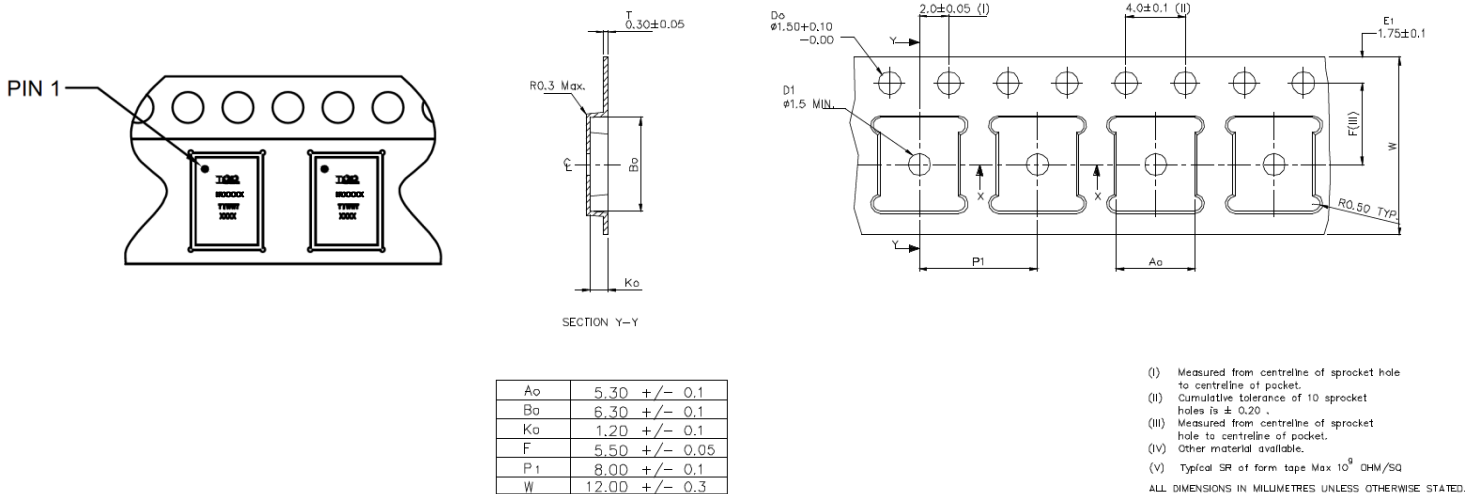


MARKING INFORMATION

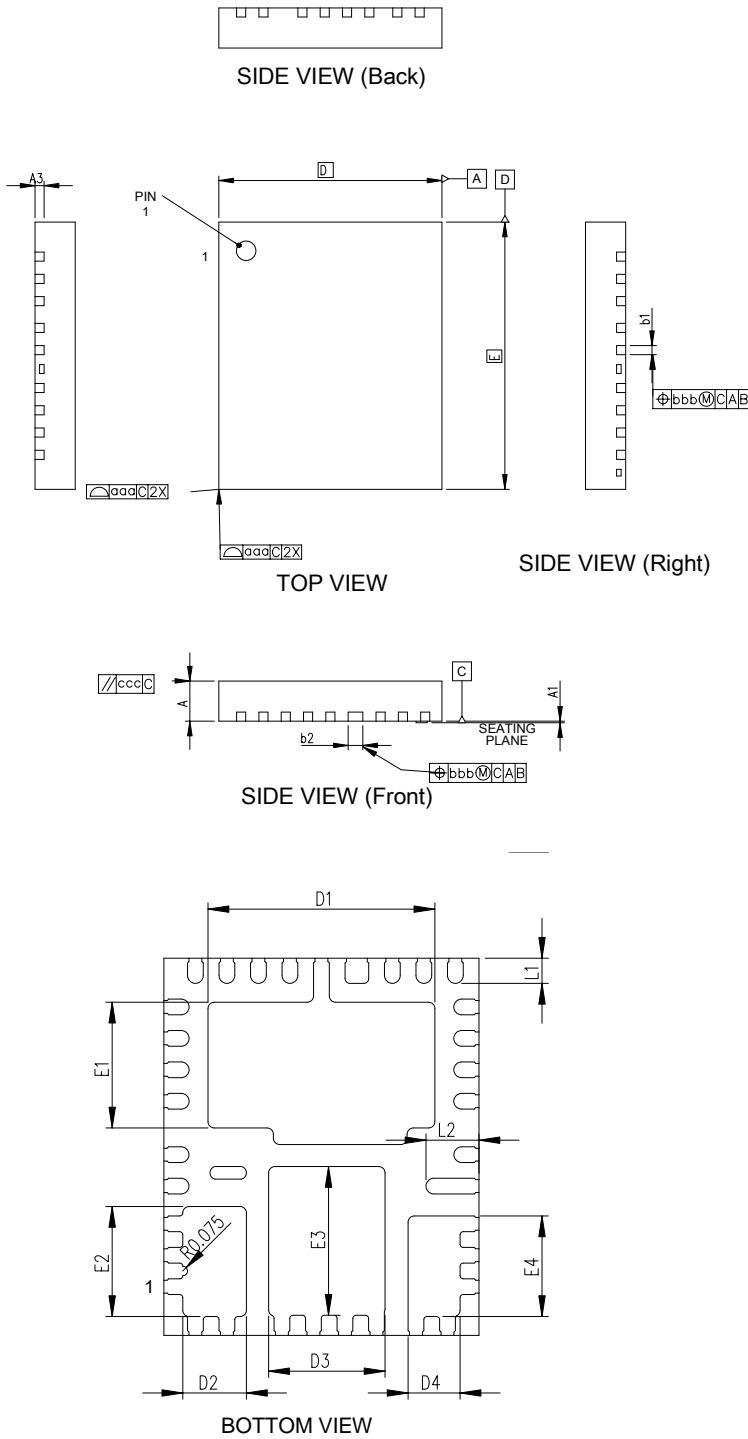


TAPE AND REEL INFORMATION

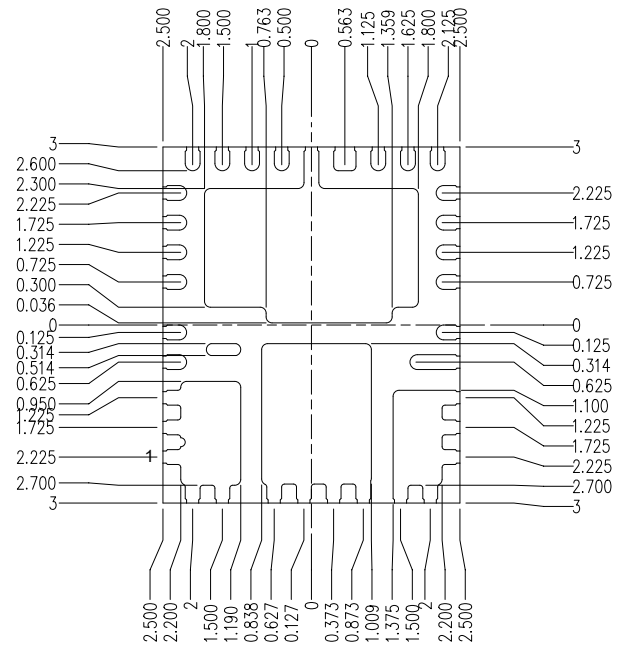
Refer to Application Note AN-1132 for more information.



PACKAGE INFORMATION



DIMENSION TABLE			
SYMBOL	MINIMUM	NOMINAL	MAXIMUM
A	0.80	0.90	1.00
A1	0.00	0.02	0.05
A3	0.203 Ref		
b1	0.20	0.25	0.30
b2	0.325	0.375	0.425
D	5.00 BSC		
E	6.00 BSC		
D1	3.450	3.600	3.700
E1	1.850	2.000	2.100
D2	0.860	1.010	1.110
E2	1.600	1.750	1.850
D3	1.697	1.847	1.947
E3	2.216	2.366	2.466
D4	0.675	0.825	0.925
E4	1.450	1.600	1.700
L1	0.300	0.400	0.500
L2	0.741	0.841	0.941
aaa	0.05		
bbb	0.10		
ccc	0.10		
N	35		



ENVIRONMENTAL QUALIFICATIONS

Qualification Level		Industrial	
Moisture Sensitivity Level		5mm x 6mm PQFN	MSL 2 260C
ESD	Machine Model (JESD22-A115A)	JEDEC Class B	
	Human Body Model (JESD22-A114F)	JEDEC Class 2 (2KV)	
	Charged Device Model (JESD22-C101D)	JEDEC Class 3	
RoHS Compliant		Yes	

† Qualification standards can be found at Infineon web site: <http://www.infineon.com>

REVISION HISTORY

Rev.	Date	Description
3.0	10/5/2015	Initial DR3 Release
3.1	10/17/2015	Corrected Efficiency chart Updated Frequency_Switch default to 607kHz (was 600kHz)
3.2	10/21/2015	Added reference to UN0060 PMBus commandset Corrected default Ton_Rise to 2ms (was 1ms)
3.3	10/25/2015	Added Reference accuracy over -40C→125C
3.4	1/15/2016	Updated assembly drawings to include exposed pins on side Corrected pkg size typo on 1 st page Removed unnecessary info from Marking diagram Added Linear telemetry formats to PMBus command table Corrected Mfr_ID/Model/Rev and other descriptions in PMBus command table Clearly specified Vin/Vcc operating ranges Added Tape & Reel information Converted to Infineon format
3.5	2/11/2016	Added AC specification for Boot to SW, explicitly stated that no Rt resistor needed in digital mode, corrected a typo in Vin operating range to PVin operating range, correct typo in package size
3.6	3/4/2016	Added default value for IOUT_OC_FAULT_RESPONSE in the commandset table.
3.7	5/26/2016	Changed recommended Vcc operating range, Corrected typo in caption for transient waveforms, changed Iout reporting resolution display format from 0.0625A to 62.5 mA
3.8	8/17/2016	Changed OC response types; also changed PMBus default. Changed pad, stencil and solder drawings, added info about decoupling caps, added placement for 10nF cap on addr resistor in typical apps diagrams, removed gain and bandwidth specs of RSA and EA. Added note about preferring to use FCCM because AOT is noisier. Changed ADDR resistor for 0 offset to 499 ohm, Changed PVin rating to 16V. Added recommendation for series boot resistor for PVin>12V and also for 3.3nF Cin. Updated typical apps diagrams, min Rt resistor also changed from 0 ohm to 499 ohm
3.9	8/18/2016	Corrected 3 references to PVin =21V and changed them to 16V in the spec tables.
3.10	8/26/2016	Added Fsw to avoid, added SS rate note, corrected IC_DEVICE_ID by removing IR38061 and IR38065, corrected typo in caption of Fig 50.
3.11	12/5/2016	Updates related to 750 k on track_en pin , update LDo test condition in spec table

Rev.	Date	Description
3.12	1/11/2017	Updates related to 100K from track_en to P1V8
3.13	3/1/2017	Update to Vp bias current limit, note on the 750 K option from track_en# to LGnd. Added 250pc reel, Broadcom, IBM, General Market part numbers into Ordering info
3.14	5/17/2017	Update Ordering Information
3.15	12/15/2017	Update to PMBus commands. TOFF_DELAY and TOFF_FALL not supported in Manhattan. Updated how to set OCP limit in analog mode. Updated R _t pin can be connected to LGND through a 15kohm series resistor instead of floating. Update to Figure 11. Added recommendation to use 10uF bypass capacitor at P1V8 pin. Updated the schematic diagrams, removed the cap between RS+ & RS-. Updated 499 ohms on Figure 40. Updated the Vout setting to from 0.6V to 0.5V on page 1, ordering information. Added voltage reference section.
3.16	6/25/2018	Updated thermal information.

Published by
Infineon Technologies AG
81726 München, Germany
© Infineon Technologies AG 2015
All Rights Reserved.

IMPORTANT NOTICE

The information given in this document shall in no event be regarded as a guarantee of conditions or characteristics ("Beschaffheitsgarantie"). With respect to any examples, hints or any typical values stated herein and/or any information regarding the application of the product, Infineon Technologies hereby disclaims any and all warranties and liabilities of any kind, including without limitation warranties of non-infringement of intellectual property rights of any third party.

In addition, any information given in this document is subject to customer's compliance with its obligations stated in this document and any applicable legal requirements, norms and standards concerning customer's products and any use of the product of Infineon Technologies in customer's applications.

The data contained in this document is exclusively intended for technically trained staff. It is the responsibility of customer's technical departments to evaluate the suitability of the product for the intended application and the completeness of the product information given in this document with respect to such application.

For further information on the product, technology, delivery terms and conditions and prices please contact your nearest Infineon Technologies office (www.infineon.com).

WARNINGS

Due to technical requirements products may contain dangerous substances. For information on the types in question please contact your nearest Infineon Technologies office.

Except as otherwise explicitly approved by Infineon Technologies in a written document signed by authorized representatives of Infineon Technologies, Infineon Technologies' products may not be used in any applications where a failure of the product or any consequences of the use thereof can reasonably be expected to result in personal injury.

Mouser Electronics

Authorized Distributor

Click to View Pricing, Inventory, Delivery & Lifecycle Information:

[Infineon:](#)

[IR38060MTRPBF](#) [IR38060MGM10TRP](#) [IR38060MGM18TRP](#) [IR38060MGM09TRP](#) [IR38060MGM12TRP](#)