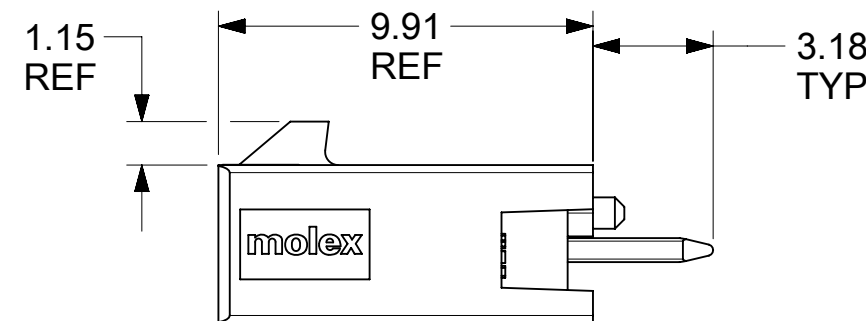
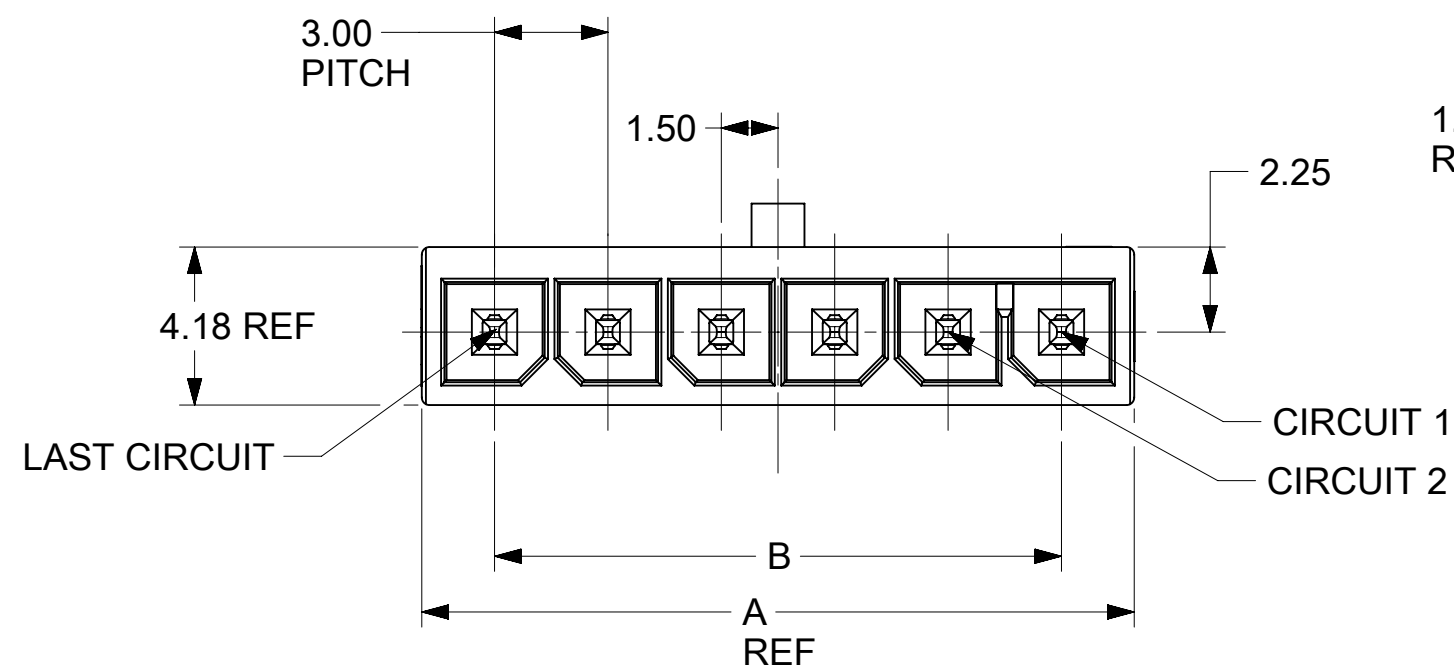


TIN PLATING			
CIRCUIT	PART NUMBER	A	B
2	216571-1002	6.85	3.00
3	216571-1003	9.85	6.00
4	216571-1004	12.85	9.00
5	216571-1005	15.85	12.00
6	216571-1006	18.85	15.00
7	216571-1007	21.85	18.00
8	216571-1008	24.85	21.00

15 MICROINCH GOLD			
CIRCUIT	PART NUMBER	A	B
2	216571-2002	6.85	3.00
3	216571-2003	9.85	6.00
4	216571-2004	12.85	9.00
5	216571-2005	15.85	12.00
6	216571-2006	18.85	15.00
7	216571-2007	21.85	18.00
8	216571-2008	24.85	21.00

30 MICROINCH GOLD			
CIRCUIT	PART NUMBER	A	B
2	216571-3002	6.85	3.00
3	216571-3003	9.85	6.00
4	216571-3004	12.85	9.00
5	216571-3005	15.85	12.00
6	216571-3006	18.85	15.00
7	216571-3007	21.85	18.00
8	216571-3008	24.85	21.00



LEGEND

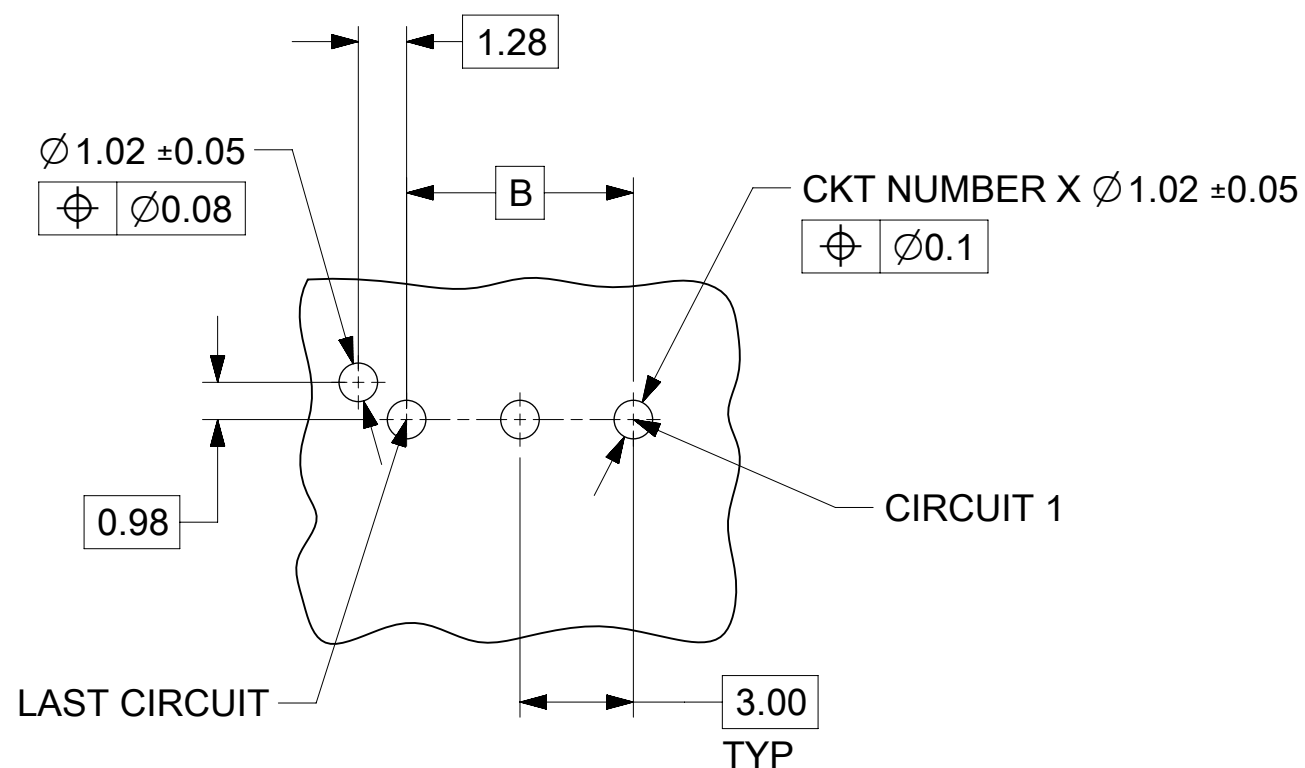
SERIES NO. 216571 - * * * *

PLATING OPTION
 1 : TIN
 2: 15MICROINCH AU
 3. 30MICROINCH AU

CKT NO. _____

NOTES:

- HOSING MATERIAL: GLASS FILLED LIQUID CRYSTAL POLYMER, UL 94V-0, GLOW WIRE, COLOR: BLACK
 TERMINAL MATERIAL: HIGH COPPER ALLOY
- FINISH:
 OPTION 1: TIN OVER NICKEL OVERALL
 OPTION 2: SELECT 15MICROINCH GOLD AND SELECT MATTE TIN OVER NICKEL.
 OPTION 3: SELECT 30MICROINCH GOLD AND SELECT MATTE TIN OVER NICKEL.
- PRODUCT SPECIFICATION : 2064600000-PS
- TRAY PACK : 2165710002-PK
- PRODUCT TEST SUMMARY: 2157590005-TS
- MATE WITH RECEPTACLE 215759
- THIS PART CONFORMS TO CLASS 'B' REQUIREMENTS OF COSMETIC SPECIFICATION PS-45499-002.



RECOMENDED PCB THICKNESS: .062/1.57 Max.

FUNCTIONAL SYMBOLS	THIS DRAWING CONTAINS INFORMATION THAT IS PROPRIETARY TO MOLEX ELECTRONIC TECHNOLOGIES, LLC AND SHOULD NOT BE USED WITHOUT WRITTEN PERMISSION		CURRENT REV DESC:		
$\nabla_A = 0$ $\nabla_C = 0$ $\nabla_P = 0$	DIMENSION UNITS	SCALE	EC NO: 661422		
GENERAL TOLERANCES (UNLESS SPECIFIED)	mm	5:1	DRWN: HPAN18	2021/03/29	
DIVISIONAL SYMBOLS	ANGULAR TOL	± °	CHK'D: YXZHENG	2021/04/20	PRODUCT CUSTOMER DRAWING
4 PLACES ±	±		APPR: YXZHENG	2021/04/20	
3 PLACES ±	±		INITIAL REVISION:		DOCUMENT NUMBER 2165710003-SD
2 PLACES ± 0.25	±		DRWN: HPAN18	2020/10/15	
1 PLACE ± 0.36	±		APPR: YXZHENG	2021/02/08	DOC TYPE PSD
0 PLACES ±	±		DRAFT WHERE APPLICABLE MUST REMAIN WITHIN DIMENSIONS		DOC PART 000
THIRD ANGLE PROJECTION		DRAWING	SERIES	MATERIAL NUMBER	REVISION A1
		C-SIZE	216571	CUSTOMER GENERAL MARKET	SHEET NUMBER 1 OF 1

DOCUMENT STATUS	P1	RELEASE DATE	2021/04/20	14:42:00
-----------------	----	--------------	------------	----------