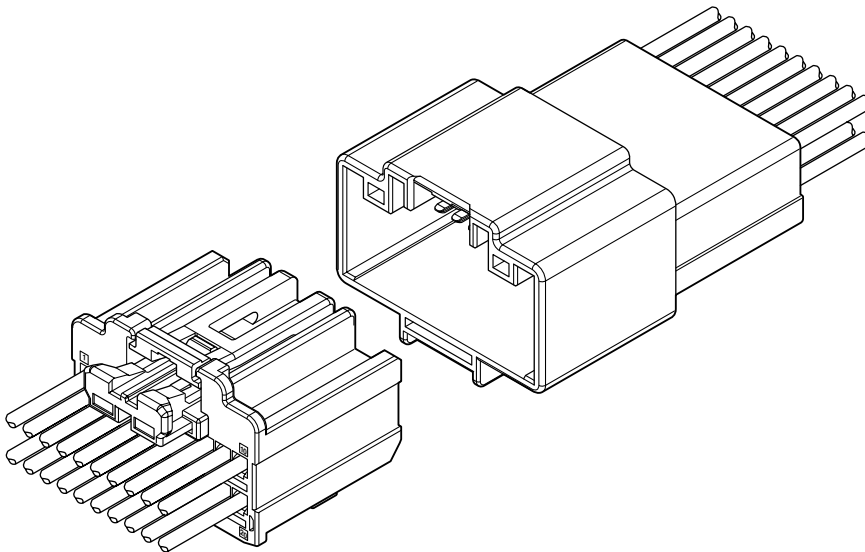


1.2 mm unsealed wire-to-wire connector system for automotive applications.

Features

- 20 circuits, Wire-to-Wire Connection
- Connector Position Assurance (CPA) Design
- Unsealed Inline Connector
- 1.2 mm Terminal Compliant with USCAR Standards



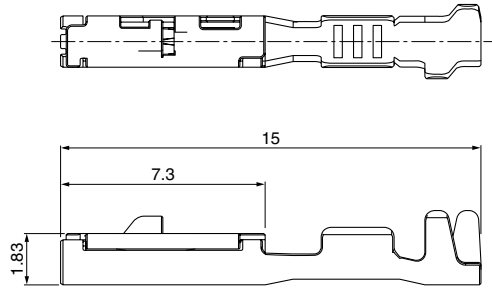
Specifications

- Current rating: 14 A AC, DC max (0.75 mm², Single circuit)
- Voltage rating: 14 V AC, DC
- Temperature range: -40°C to +105°C
(including temperature rise in applying electrical current)
- Contact resistance: Initial value/ 8 mΩ max.
After environmental tests/ 8 mΩ max.
- Insulation resistance: 100 MΩ min.
- Withstanding voltage: 1,000 VAC/minute
- Applicable wire: FLRY-A 0.35 to 0.75 mm²
FLRY-B 0.75 mm²

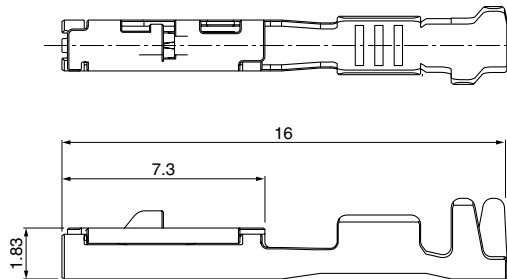
- * Compliant with ELV/RoHS.
- * Contact JST for details.

Female terminal

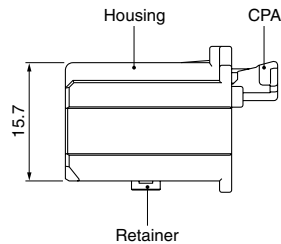
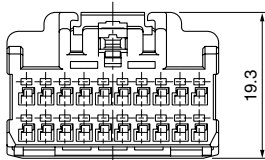
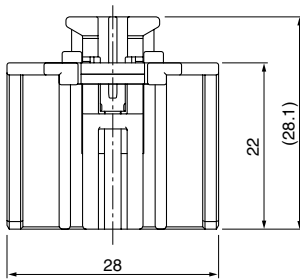
SS barrel



S barrel



Female connector



Size	Model No.	Applicable wire range		Q'ty/reel
		Conductor (mm ²)	Insulation O.D. (mm)	
SS	①SMSA-A011T-M1.2	0.35	1.2 to 1.4	9,000
S	①SMSA-A031T-M1.2	0.5 to 0.75	1.6 to 1.9	8,500
SS	②SMSA-A011A-M1.2	0.35	1.2 to 1.4	9,000
S	②SMSA-A031A-M1.2	0.5 to 0.75	1.6 to 1.9	8,500

Material and Finish

①Copper alloy, tin-plated (reflow treatment)

②Copper alloy, nickel-undercoated, Contact area: silver-plated
Barrel area: tin-plated

Circuits	Model No.	Q'ty/box	Housing Color
20	20MSA-RBC-1A-A-K	378	Black

Material

Housing: PBT

Retainer: Glass-filled PBT, Natural (White)

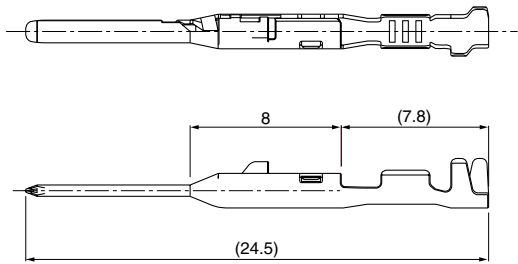
CPA: Glass-filled PBT, Natural (White)

Note: Color/Key codes other than above-mentioned housing are also available.
Contact JST for details.

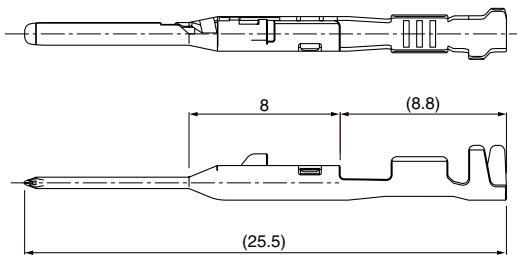
MSA CONNECTOR

Male terminal

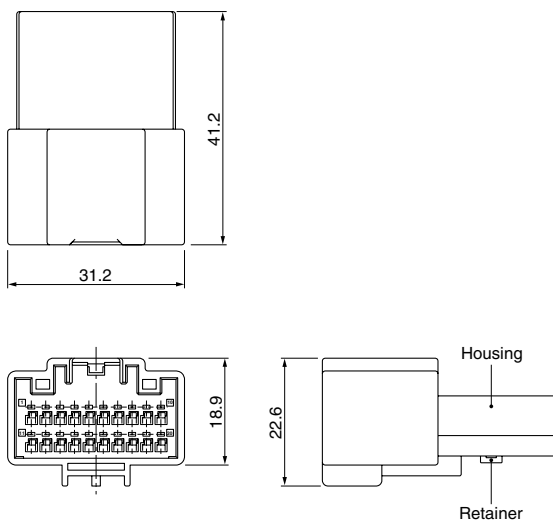
SS barrel



S barrel



Male connector



Size	Model No.	Applicable wire range		Q'ty/reel
		Conductor (mm ²)	Insulation O.D. (mm)	
SS	①SMSAW-A011T-M1.2	0.35	1.2 to 1.4	9,000
S	①SMSAW-A031T-M1.2	0.5 to 0.75	1.6 to 1.9	9,000
SS	②SMSAW-A011A-M1.2	0.35	1.2 to 1.4	9,000
S	②SMSAW-A031A-M1.2	0.5 to 0.75	1.6 to 1.9	9,000

Material and Finish

- ①Copper alloy, tin-plated (reflow treatment)
- ②Copper alloy, nickel-undercoated, Contact area: silver-plated
Barrel area: tin-plated

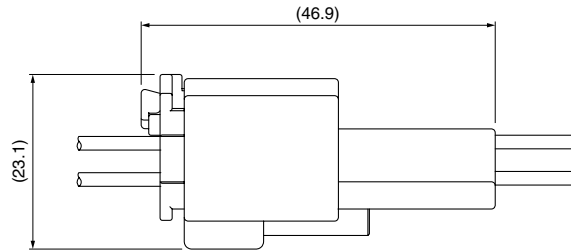
Circuits	Model No.	Q'ty/box	Housing Color
20	20MSA-PB-1A-A-K	216	Black

Material

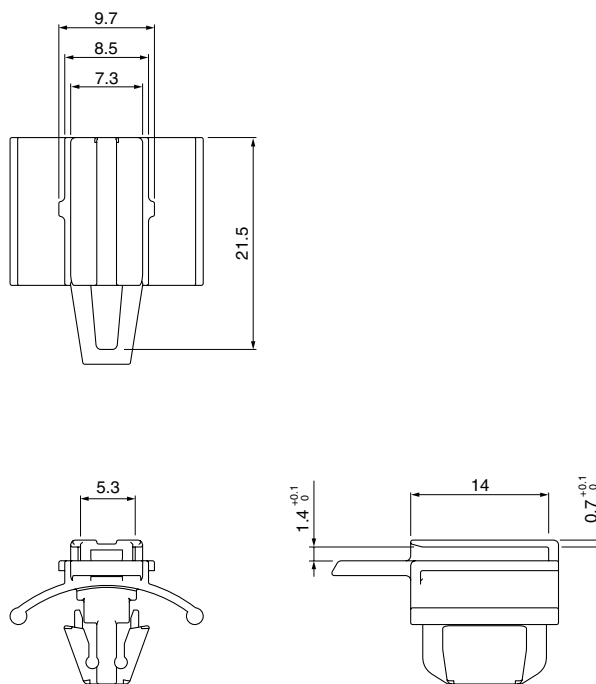
Housing: PBT
Retainer: Glass-filled PBT, Natural (White)

Note: Color/Key codes other than above-mentioned housing are also available. Contact JST for details.

Assembly layout



Clip layout



Recommended clip layout

Crimping machine, Applicator

Strip terminal	Crimping machine	Crimp applicator MKS-L	
		Dies	Crimp applicator with dies
SMSA-A011()-M1.2	AP-K2N	MK/SMSA-A011-12	APLMK SMSA-A011-12
SMSA-A031()-M1.2		MK/SMSA-A031-12	APLMK SMSA-A031-12
SMSAW-A011()-M1.2		MK/SMSAW-A011-12	APLMK SMSAW-A011-12
SMSAW-A031()-M1.2		MK/SMSAW-A031-12	APLMK SMSAW-A031-12

Note: 1. Contact JST for details.

2. When crimping operation is conducted using an applicator and die set other than the above, JST cannot guarantee the performance of the terminal.

Mouser Electronics

Authorized Distributor

Click to View Pricing, Inventory, Delivery & Lifecycle Information:

JST:

[SMSA-A031T-M1.2](#) [SMSA-A011T-M1.2](#)