

THIS DRAWING IS UNPUBLISHED.

RELEASED FOR PUBLICATION

ALL RIGHTS RESERVED.

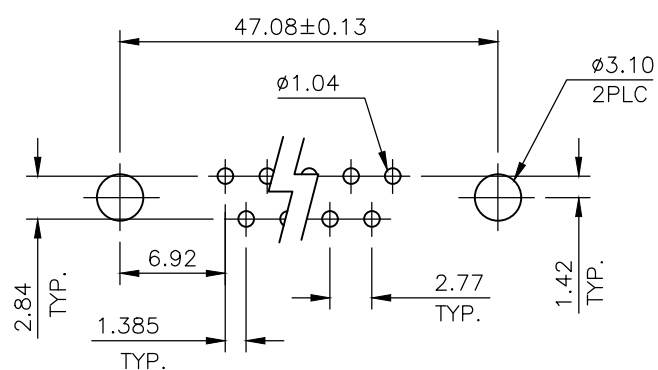
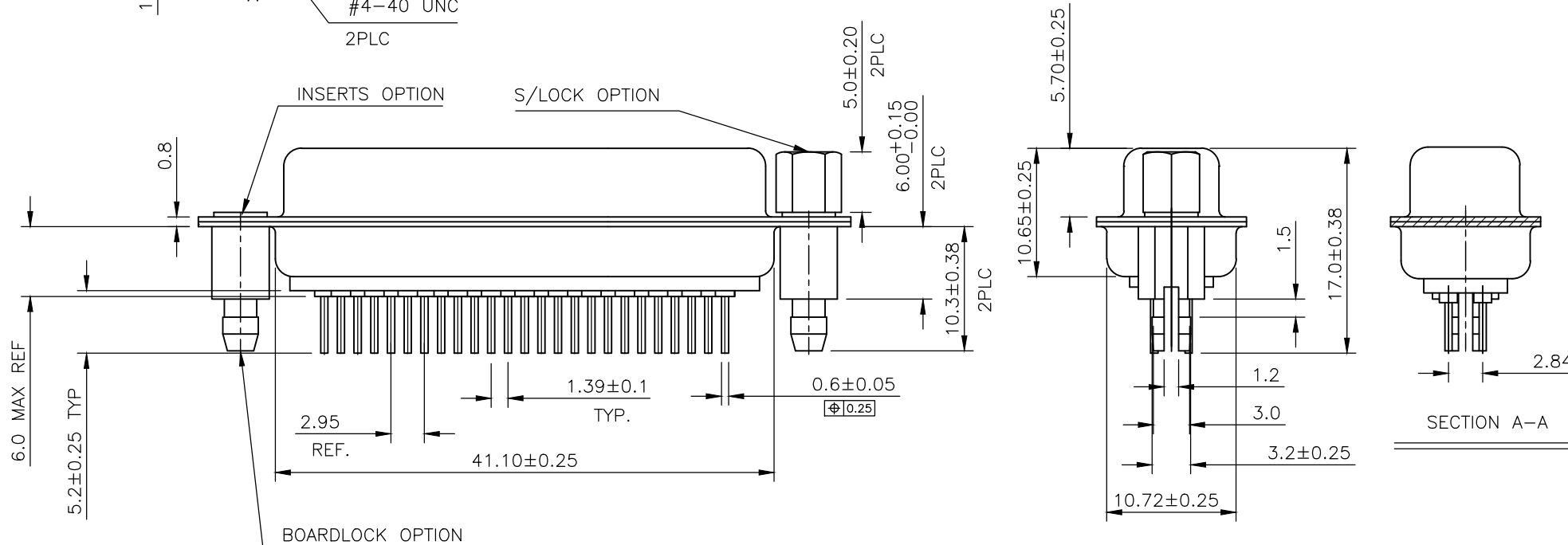
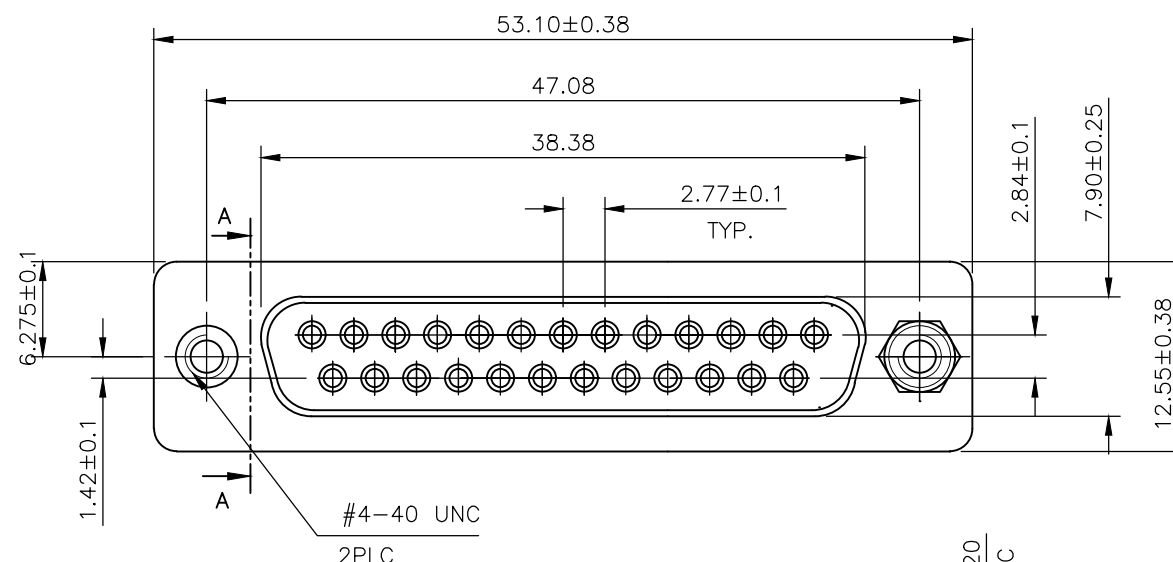
LOC GP DIST 00

REVISIONS

P	LTR	DESCRIPTION	DATE	DWN	APVD
	K	REVISED PER ECO-17-012925	21FEB2018	AP	DG

- 1 MATERIAL  
HOUSING : THERMOPLASTIC, UL94V-0, BLACK  
CONTACTS : PHOSPHOR BRONZE  
SHELL : STEEL  
SCREW : BRASS.  
BOARD LOCK : BRASS.  
SCREW OF TORQUE : 5 Kg-cm MAX.
- 2 FINISH  
CONTACT : 15µ" MIN.GOLD PLATING ON CONTACT AREA  
100µ" MIN. TIN PLATING ON SOLDER TAILS  
50µ" MIN. NICKEL UNDERPLATED OVERALL  
SHELL : 100µ" MIN NICKEL PLATING  
SCREW : 50µ" MIN. NICKEL PLATING.  
BOARD LOCK : 50µ" MIN. NICKEL PLATING.
- 3 CHARACTERISTICS  
CURRENT RATING : 3A  
INSULATION RESISTANCE : 1000MOHMS MIN, 500VDC FOR 2MINS.  
TEMPERATURE RATING : -55DEGC ~ +105DEGC  
VOLTAGE RATING : 250VDC

4 OBSOLETE PARTS: OBSOLETE CIS STREAMLINING PER D.RENAUD/D.SINISI.



RECOMMENDED PCB LAYOUT(TOP VIEW)  
(PCBTOLERANCE : ±0.05)

4 OBSOLETE	25W D SKT WITH B/L & M3 S/LOCK 15µ" GOLD	4-1634224-2
SUPERSEDED BY 2301841-2		
4 OBSOLETE	25W D SKT WITH B/L & 4-40 S/LOCK 15µ" GOLD	3-1634224-2
SUPERSEDED BY 2301841-1		
4 OBSOLETE	25W D SKT WITH B/L & M3 INSERTS 15µ" GOLD	2-1634224-2
SUPERSEDED BY 2301841-1		
	DESCRIPTION	PART NO.

THIS DRAWING IS A CONTROLLED DOCUMENT.		DWN J.SANDWELL 10APR03	TE Connectivity	
DIMENSIONS: mm		CHK R.DYER 10APR03		
TOLERANCES UNLESS OTHERWISE SPECIFIED:		APVD F.WHEELER-KING 10APR03	NAME D-SUB HD20, VERTICAL, 25P SKT CONNECTOR	
0 PLC ± -	1 PLC ± 0.25	PRODUCT SPEC -	SIZE A3	CAGE CODE 00779
2 PLC ± 0.15	3 PLC ± -	APPLICATION SPEC -	DRAWING NO C-1634224	RESTRICTED TO -
4 PLC ± -	ANGLES ± -	WEIGHT -	SCALE 2:1 SHEET 1 OF 2 REV K	
MATERIAL -	FINISH -	CUSTOMER DRAWING		

THIS DRAWING IS UNPUBLISHED.

RELEASED FOR PUBLICATION

---

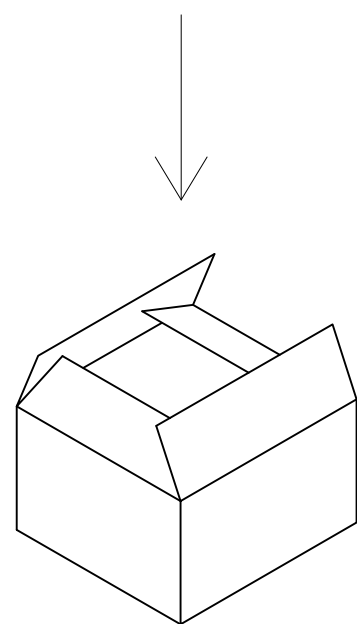
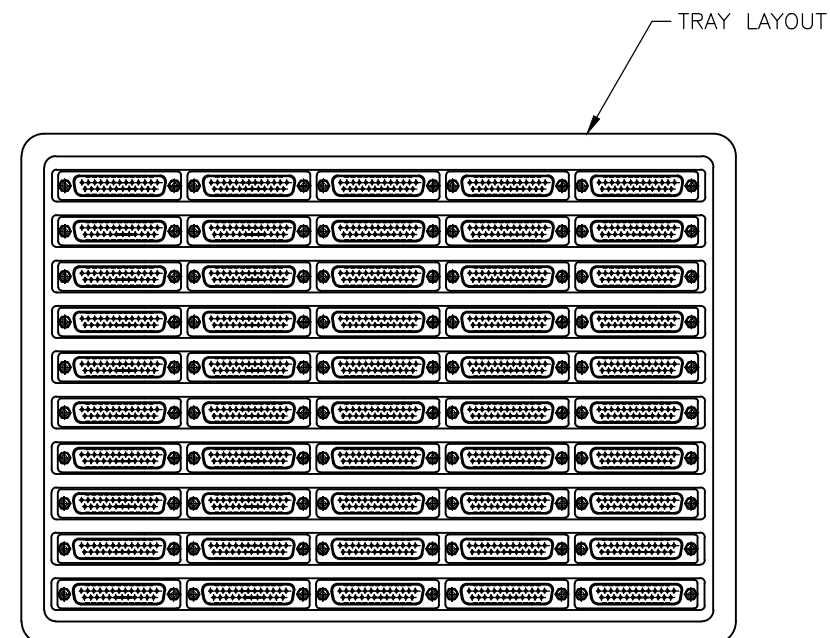
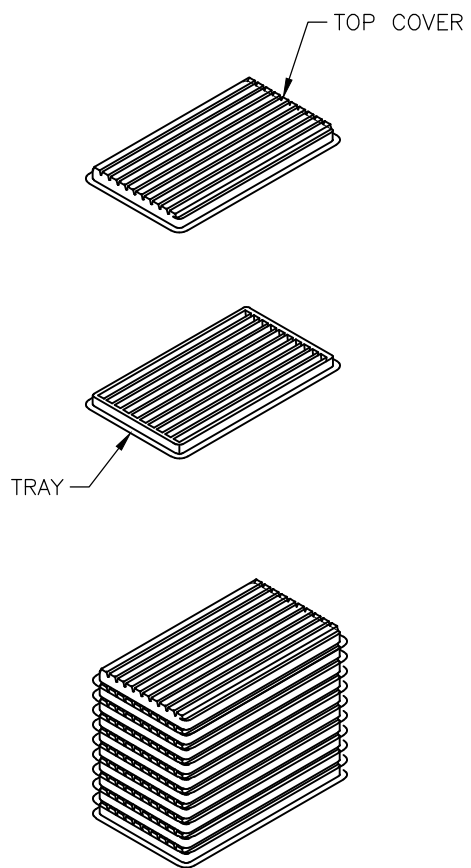
© COPYRIGHT - By -

ALL RIGHTS RESERVED.

LOC GP DIST 00

REVISIONS

P	LTR	DESCRIPTION	DATE	DWN	APVD
-	-	SEE SHEET 1	-	-	-



MATERIAL


- 1 TRAY: PVC
- 2 SHIPPING CARTON: CORRUGATED FIBERBOARD

DIMENSIONS

- 1 TRAY: L=310, W=230, H=21
- 2 SHIPPING CARTON: L=330, W=245, H=160

QUANTITY

- 50 PCS/TRAY
- 10 TRAY/SHIPPING CARTON

THIS DRAWING IS A CONTROLLED DOCUMENT.		DWN J.SANDWELL 10APR03	 TE Connectivity														
DIMENSIONS: mm		CHK R.DYER 10APR03															
TOLERANCES UNLESS OTHERWISE SPECIFIED:		APVD F.WHEELER-KING 10APR03	NAME D-SUB HD20, VERTICAL, 25P SKT CONNECTOR														
<table border="1"> <tr> <td>0 PLC</td> <td>± -</td> </tr> <tr> <td>1 PLC</td> <td>± 0.25</td> </tr> <tr> <td>2 PLC</td> <td>± 0.15</td> </tr> <tr> <td>3 PLC</td> <td>± -</td> </tr> <tr> <td>4 PLC</td> <td>± -</td> </tr> <tr> <td>ANGLES</td> <td>± -</td> </tr> </table>		0 PLC	± -	1 PLC	± 0.25	2 PLC	± 0.15	3 PLC	± -	4 PLC	± -	ANGLES	± -	PRODUCT SPEC -	SIZE A3		
0 PLC	± -																
1 PLC	± 0.25																
2 PLC	± 0.15																
3 PLC	± -																
4 PLC	± -																
ANGLES	± -																
MATERIAL -		FINISH -	APPLICATION SPEC -	CAGE CODE 00779	DRAWING NO C-1634224												
		WEIGHT -	RESTRICTED TO -														
CUSTOMER DRAWING			SCALE NTS	SHEET 2 OF 2	REV K												

# Mouser Electronics

Authorized Distributor

Click to View Pricing, Inventory, Delivery & Lifecycle Information:

[TE Connectivity:](#)

[3-1634224-2](#)