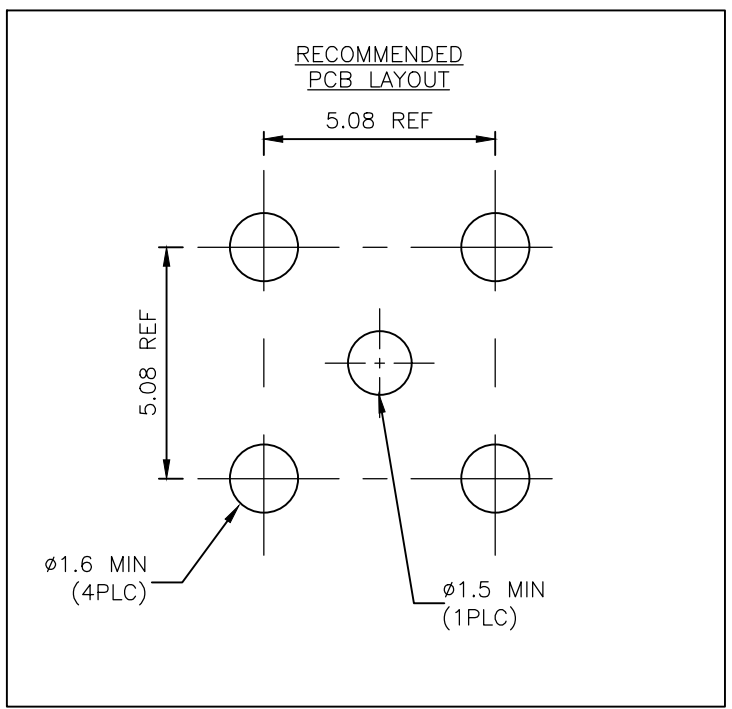
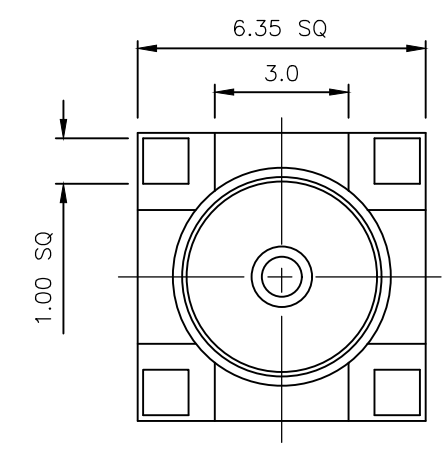
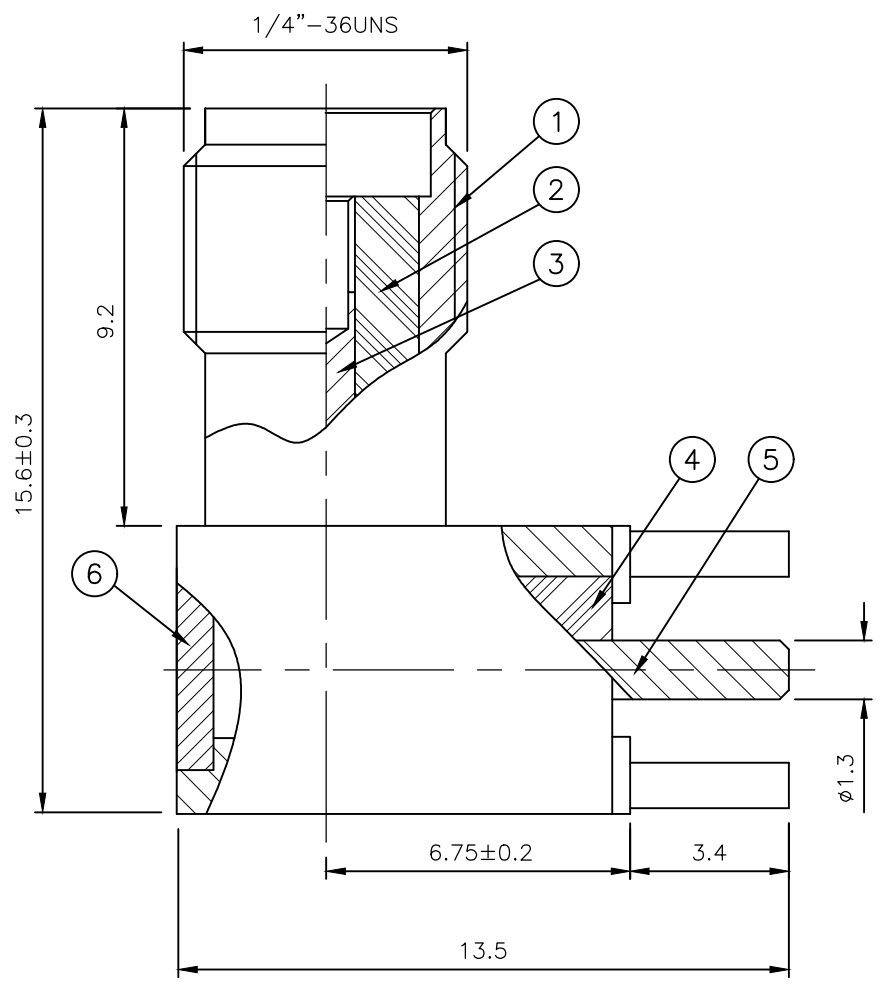


THIS DRAWING IS UNPUBLISHED. RELEASED FOR PUBLICATION DEC ,2003.
 © COPYRIGHT 2003 By - ALL RIGHTS RESERVED.

REVISIONS				
P	LTR	DESCRIPTION	DATE	APVD
	F1	REVISE PER ECR-19-016653	13NOV2019	RZ RS

- NOTES:**
1. SINGLE PACK IN ACCORDANCE WITH SPEC 107-3275
 2. 30 TRAY PACK IN ACCORDANCE WITH SPEC 107-3275
 3. 0.08µm GOLD PLATING
 4. 0.76µm GOLD PLATING
 5. ELECTRICAL CHARACTERISTICS
 FREQUENCY RANGE:
 STAINLESS STEEL: DC-12.4GHz
 BRASS: DC-6GHz
 NOMINAL IMPEDANCE: 50 OHMS
 INSULATION RESISTANCE: 5000 MOHMS
 WORKING VOLTAGE: 500 VOLTS MAX.
 DIELECTRIC WITHSTAND VOLTAGE: 1000 VOLTS MAX.
 VSWR: 1.23 MAX.
 RETURN LOSS: DC..6GHz<=-19.73dB
 INSERTION LOSS: 0.1 dB MAX. @3 GHz
 CONTACT RESISTANCE: 3 mOHMS
 CENTRE CONTACT: 2 mOHMS
 OUTER CONTACT:
 6. MECHANICAL CHARACTERISTICS
 DURABILITY: 500 CYCLES
 TORQUE SETTING 0.15-0.20 NM
 7. ENVIRONMENTAL
 OPERATING TEMPERATURE: -65~+165°
 8. FOR TECHNICAL DATA REFER TO YOUR LOCAL TE CONNECTIVITY SALES OFFICE
 9. ALL DIMENSIONS ARE NOMINAL FOR REFERENCE ONLY UNLESS OTHERWISE STATED



QTY	DESCRIPTION	ITEM
1	BRASS ACCESS CAP	6
1	STAINLESS STEEL ACCESS CAP	6
1	BRASS PIN	5
1	BRASS PIN	5
1	PTFE INSULATOR	4
1	BERYLLIUM COPPER SOCKET	3
1	PHOSPHOR BRONZE SOCKET	3
1	PTFE INSULATOR	2
1	BRASS BODY	1
1	STAINLESS STEEL BODY	1
3--1	MATERIAL	
3--0	DESCRIPTION	
1--1		
1--0		

THIS DRAWING IS A CONTROLLED DOCUMENT.

DWN J.SANDWELL 09DEC03
 CHK S.PARLOW 09DEC03
 APVD F.WHEELER-KING 09DEC03

STE TE Connectivity

NAME: SMA RIGHT ANGLE PCB SOCKET RECEPTACLE

PRODUCT SPEC: -
 APPLICATION SPEC: -

SIZE: A3 CAGE CODE: 00779 DRAWING NO: C-1478978 RESTRICTED TO: -

WEIGHT: 0.000000

CUSTOMER DRAWING SCALE: NTS SHEET: 1 OF 1 REV: F1

Mouser Electronics

Authorized Distributor

Click to View Pricing, Inventory, Delivery & Lifecycle Information:

[TE Connectivity:](#)

[3-1478978-1](#)