

# Customer Information Sheet

DRAWING No.: M22-19X00XX

SHEET 2 OF 2

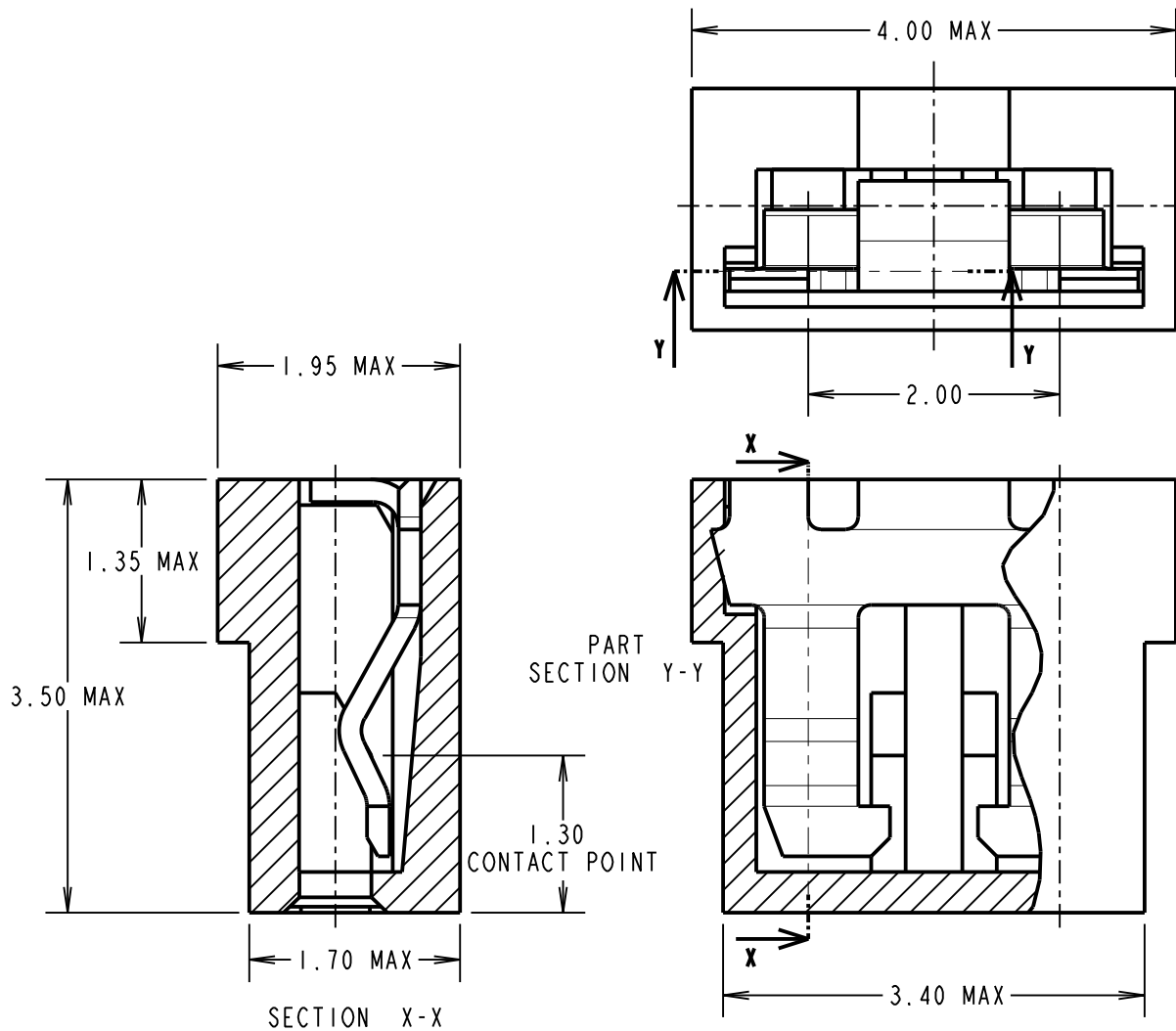
IF IN DOUBT - ASK

©

NOT TO SCALE

THIRD ANGLE PROJECTION

ALL DIMENSIONS IN mm



**SPECIFICATIONS:**  
**MATERIALS:**  
 MOULDING = GLASS FILLED POLYESTER UL94V-0  
 CONTACT = BERYLLIUM COPPER  
**FINISH:**  
 CONTACT:  
 05 = 0.13µ GOLD ON CONTACT FACE OVER NICKEL  
 46 = 3µ 100% TIN OVER NICKEL  
 MOULDING COLOUR = SEE ORDER CODE  
**ELECTRICAL:**  
 CURRENT RATING AT 25°C = 2A MAX  
 WORKING VOLTAGE = 250V AC/DC  
 VOLTAGE PROOF = 500V AC/DC @ 50Hz  
 CONTACT RESISTANCE (MAXIUM):  
 TIN/LEAD = 20mΩ INITIAL  
                   25mΩ AFTER CONDITIONING  
 GOLD = 15mΩ INITIAL  
           20mΩ AFTER CONDITIONING  
 INSULATION RESISTANCE (MINIMUM):  
 INITIAL = 1000MΩ  
 AFTER CONDITIONING = 1000MΩ  
**ENVIRONMENTAL:**  
 TEMPERATURE RANGE = -40°C TO +85°C  
**MECHANICAL:**  
**DURABILITY:**  
 TIN/LEAD = 50 OPERATIONS  
 GOLD = 300 OPERATIONS  
 INSERTION FORCE = 10N MAX  
 WITHDRAWAL FORCE = 1N MIN  
 FOR COMPLETE SPECIFICATION, SEE COMPONENT SPECIFICATION C013XX (LATEST ISSUE)

**OBSOLETE**  
**M22-1930046**  
 All other combinations still active products

ORDER CODE: M22-19X00XX

MOULDING COLOUR  
 0 = BLACK  
 1 = BLUE  
 2 = RED  
 3 = LIGHT GREY

CONTACT FINISH  
 05 = GOLD  
 46 = 100% TIN

MSP	6	09.12.14	12158
NAME	ISS.	DATE	C/NOTE
APPROVED: M.PERREN			
CHECKED: S.BENNETT			
DRAWN: W.J.BOURNE			
CUSTOMER REF.:			
ASSEMBLY DRG:			

**HARWIN**

www.harwin.com  
 technical@harwin.com

THIS DRAWING AND ANY INFORMATION OR DESCRIPTIVE MATTER SET OUT HEREON ARE CONFIDENTIAL AND COPYRIGHT PROPERTY OF THE HARWIN GROUP AND MUST NOT BE DISCLOSED, LOANED, COPIED OR USED FOR MANUFACTURING, TENDERING OR FOR ANY OTHER PURPOSE WITHOUT THEIR WRITTEN PERMISSION.

**TOLERANCES**  
 X. = ±1mm  
 X.X = ±0.25mm  
 X.XX = ±0.10mm  
 X.XXX = ±0.01mm  
 ANGLES = ±5°  
 UNLESS STATED

**MATERIAL:**  
 SEE ABOVE

**FINISH:**  
 SEE ABOVE

**S/AREA:** mm<sup>2</sup>

**TITLE:**  
 2mm PITCH JUMPER SOCKET ASSEMBLY (OPEN TOP)

**DRAWING NUMBER:**  
**M22-19X00XX**

SHT 2 OF 2

# Mouser Electronics

Authorized Distributor

Click to View Pricing, Inventory, Delivery & Lifecycle Information:

[Harwin:](#)

[M22-1920005](#) [M22-1910005](#) [M22-1930005](#) [M22-1900046](#) [M22-1910046](#) [M22-1920046](#) [M22-1930046](#) [M22-1900005](#)