

Customer Information Sheet

DRAWING No.: M20-787XXX

SHEET 2 OF 2

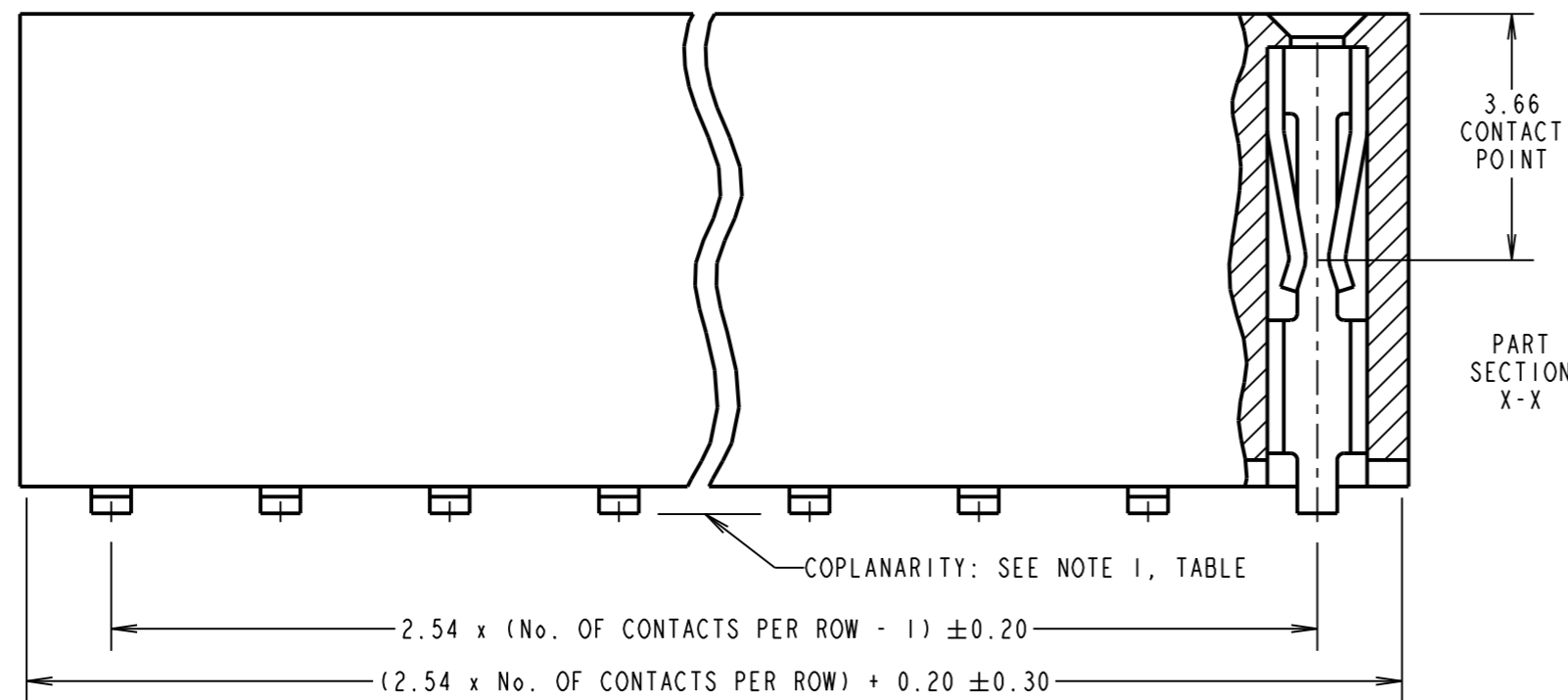
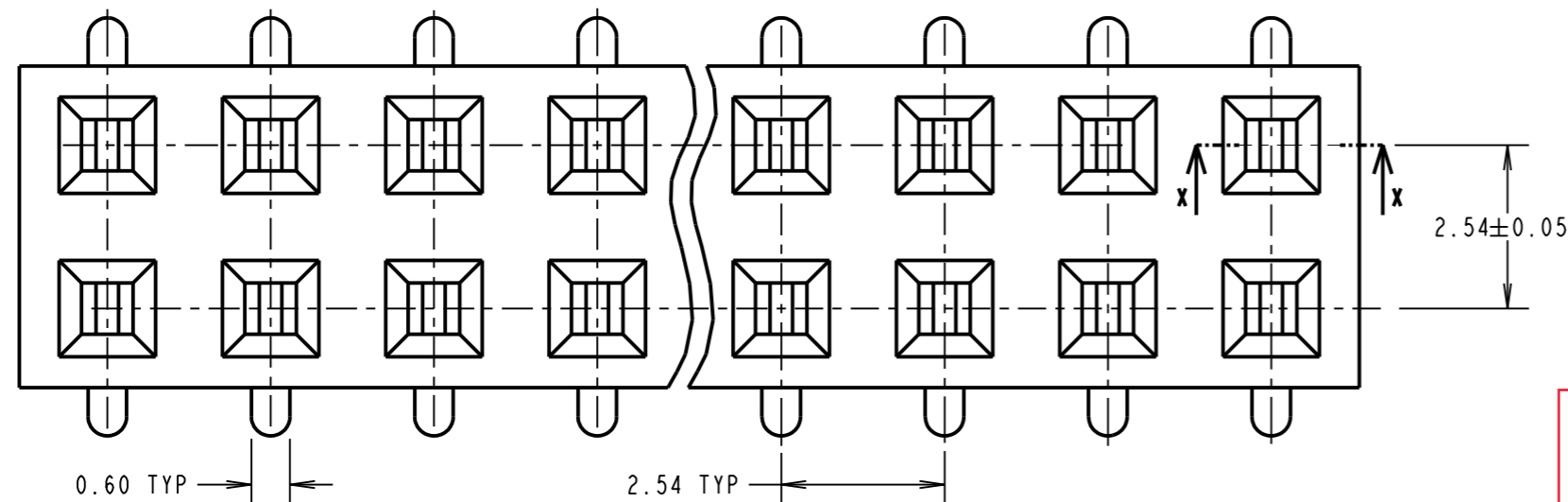
IF IN DOUBT - ASK

©

NOT TO SCALE

THIRD ANGLE PROJECTION

ALL DIMENSIONS IN mm



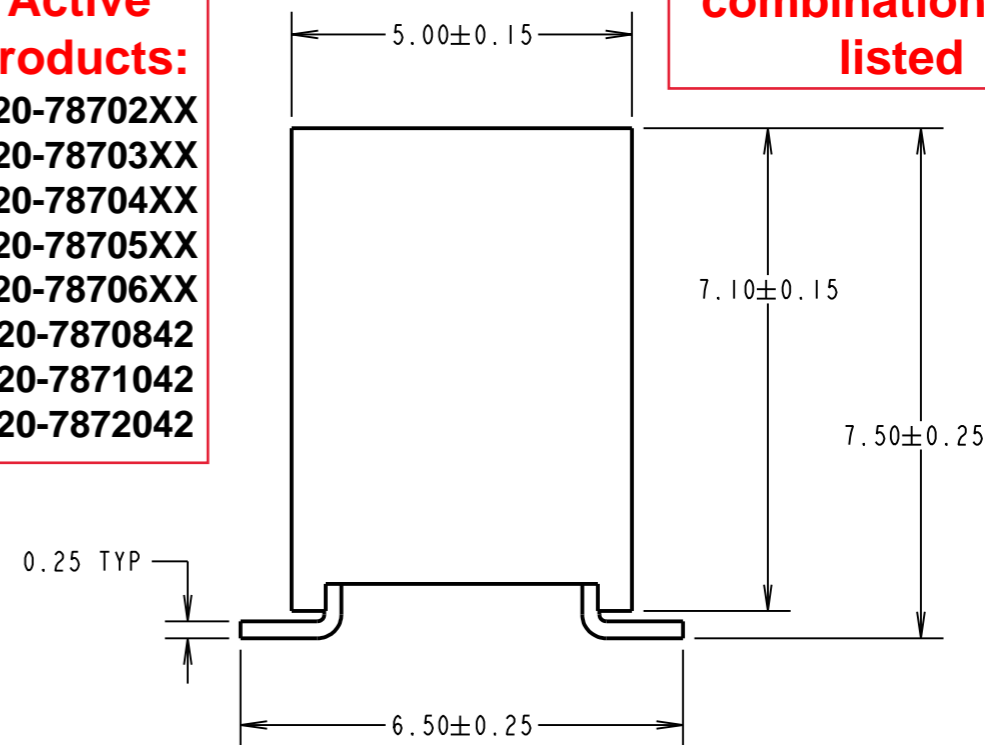
NOTES:
1. CO-PLANARITY: FLATNESS OF SMT TAILS WILL NOT EXCEED VALUES GIVEN IN TABLE.

No. OF CONTACTS PER ROW	COPLANARITY TOLERANCE
02 TO 10	0.12mm MAX
11 TO 20	0.15mm MAX

ORDER CODE:
M20-787XXX
No. OF CONTACTS PER ROW: 02 TO 20
FINISH:
42 = SELECTIVE GOLD + 100% TIN
46 = 100% TIN

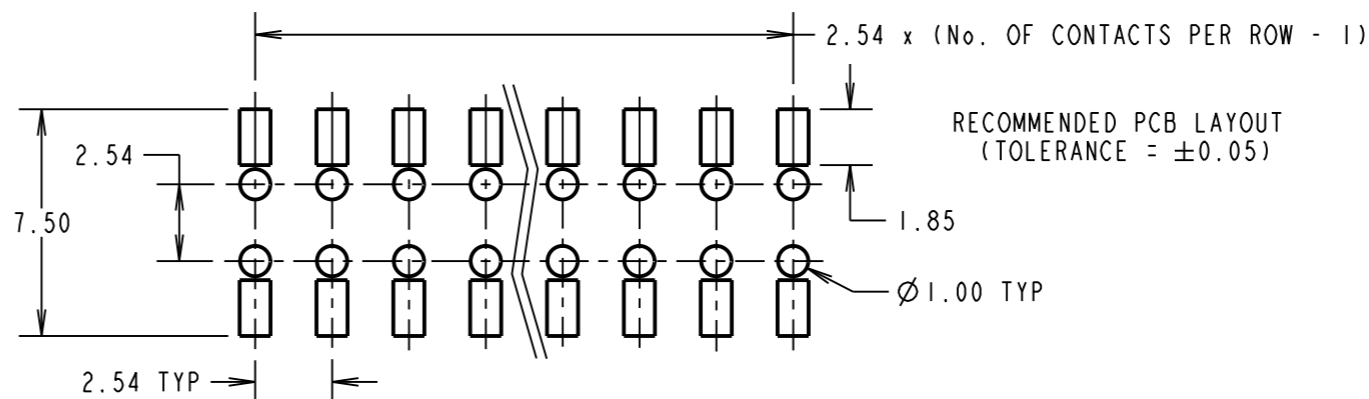
OBSOLETE
All other size/finish combinations not listed

Active products:
M20-78702XX
M20-78703XX
M20-78704XX
M20-78705XX
M20-78706XX
M20-7870842
M20-7871042
M20-7872042



SPECIFICATION:

MATERIAL:
MOULDING = PA6T UL94V-0, BLACK
CONTACTS = PHOSPHOR BRONZE
FINISH (OVER NICKEL):
42 = GOLD ON CONTACT AREA, 100% TIN ON TAILS
46 = 100% TIN
ELECTRICAL:
CURRENT RATING = 3A
VOLTAGE PROOF = 600V AC FOR 1 MINUTE
CONTACT RESISTANCE = 20mΩ MAX
INSULATION RESISTANCE = 1,000MΩ MIN
MECHANICAL:
DURABILITY = 300 CYCLES MIN
INSERTION FORCE = 2.0N MAX
WITHDRAWAL FORCE = 0.3N MIN
ENVIRONMENTAL:
TEMPERATURE RANGE = -40°C TO +105°C
PACKING:
TUBE
FOR COMPLETE SPECIFICATION SEE COMPONENT SPECIFICATION COO1XX (LATEST ISSUE)



RECOMMENDED PCB LAYOUT
(TOLERANCE = ±0.05)

WJP	10	01.08.17	20398
NAME	ISS.	DATE	C/NOTE
APPROVED: W. J. PRESTON			
CHECKED: M. PERREN			
DRAWN: J. EVANS			
CUSTOMER REF.:			
ASSEMBLY DRG.:			

HARWIN

www.harwin.com
technical@harwin.com

THIS DRAWING AND ANY INFORMATION OR DESCRIPTIVE MATTER SET OUT HEREON ARE CONFIDENTIAL AND COPYRIGHT PROPERTY OF THE HARWIN GROUP AND MUST NOT BE DISCLOSED, LOANED, COPIED OR USED FOR MANUFACTURING, TENDERING OR FOR ANY OTHER PURPOSE WITHOUT THEIR WRITTEN PERMISSION.

TOLERANCES
X. = ±1mm
X.X = ±0.50mm
X.XX = ±0.10mm
X.XXX = ±0.01mm
ANGLES = ±5°
UNLESS STATED

MATERIAL:
SEE ABOVE
FINISH:
SEE ABOVE
S/AREA:
mm²

TITLE: 2.54mm PITCH DIL VERTICAL FEMALE SMT SKT ASSY DUAL ENTRY

DRAWING NUMBER:
M20-787XXX

SHT 2 OF 2

Mouser Electronics

Authorized Distributor

Click to View Pricing, Inventory, Delivery & Lifecycle Information:

Harwin:

[M20-7870242](#) [M20-7870246](#) [M20-7870342](#) [M20-7870346](#) [M20-7870442](#) [M20-7870446](#) [M20-7870542](#) [M20-7870546](#) [M20-7870642](#) [M20-7870646](#) [M20-7870742](#) [M20-7870746](#) [M20-7870842](#) [M20-7870846](#) [M20-7870942](#) [M20-7870946](#) [M20-7871042](#) [M20-7871046](#) [M20-7871142](#) [M20-7871146](#) [M20-7871242](#) [M20-7871246](#) [M20-7871342](#) [M20-7871346](#) [M20-7871442](#) [M20-7871446](#) [M20-7871542](#) [M20-7871546](#) [M20-7871642](#) [M20-7871646](#) [M20-7871742](#) [M20-7871746](#) [M20-7871842](#) [M20-7871846](#) [M20-7871942](#) [M20-7871946](#) [M20-7872042](#) [M20-7872046](#)