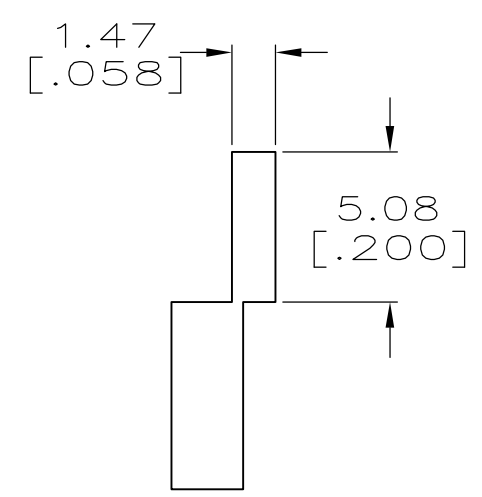
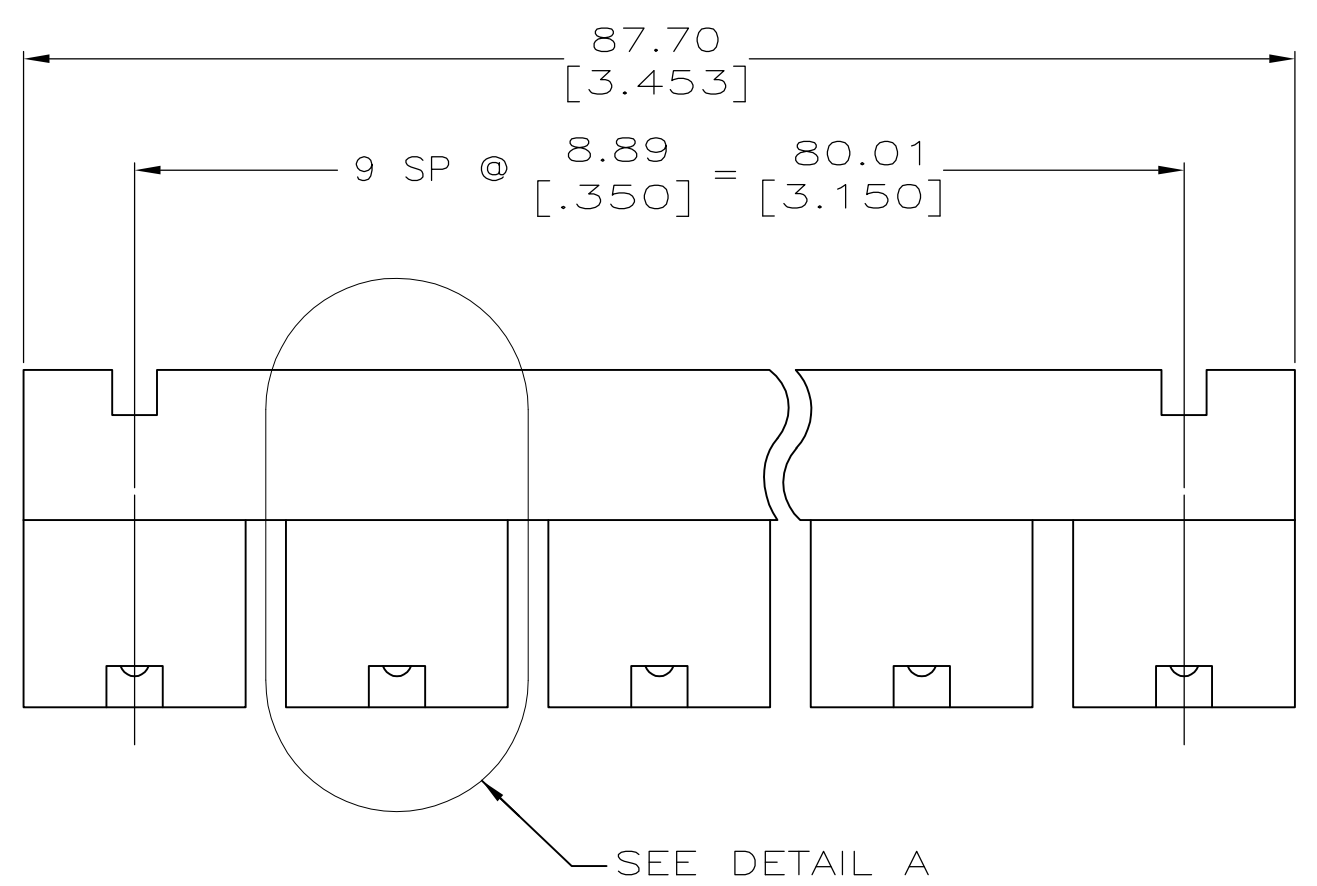
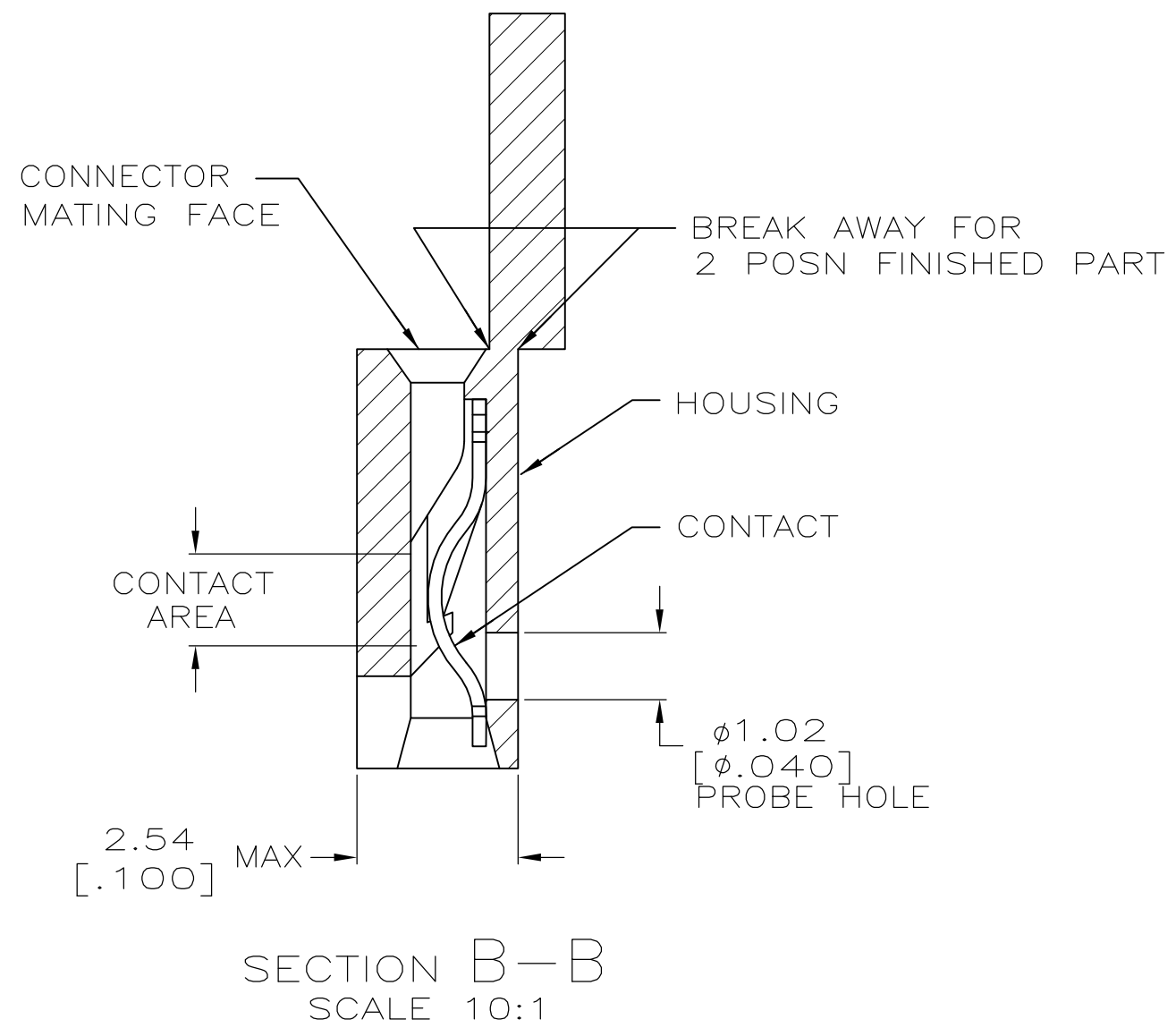
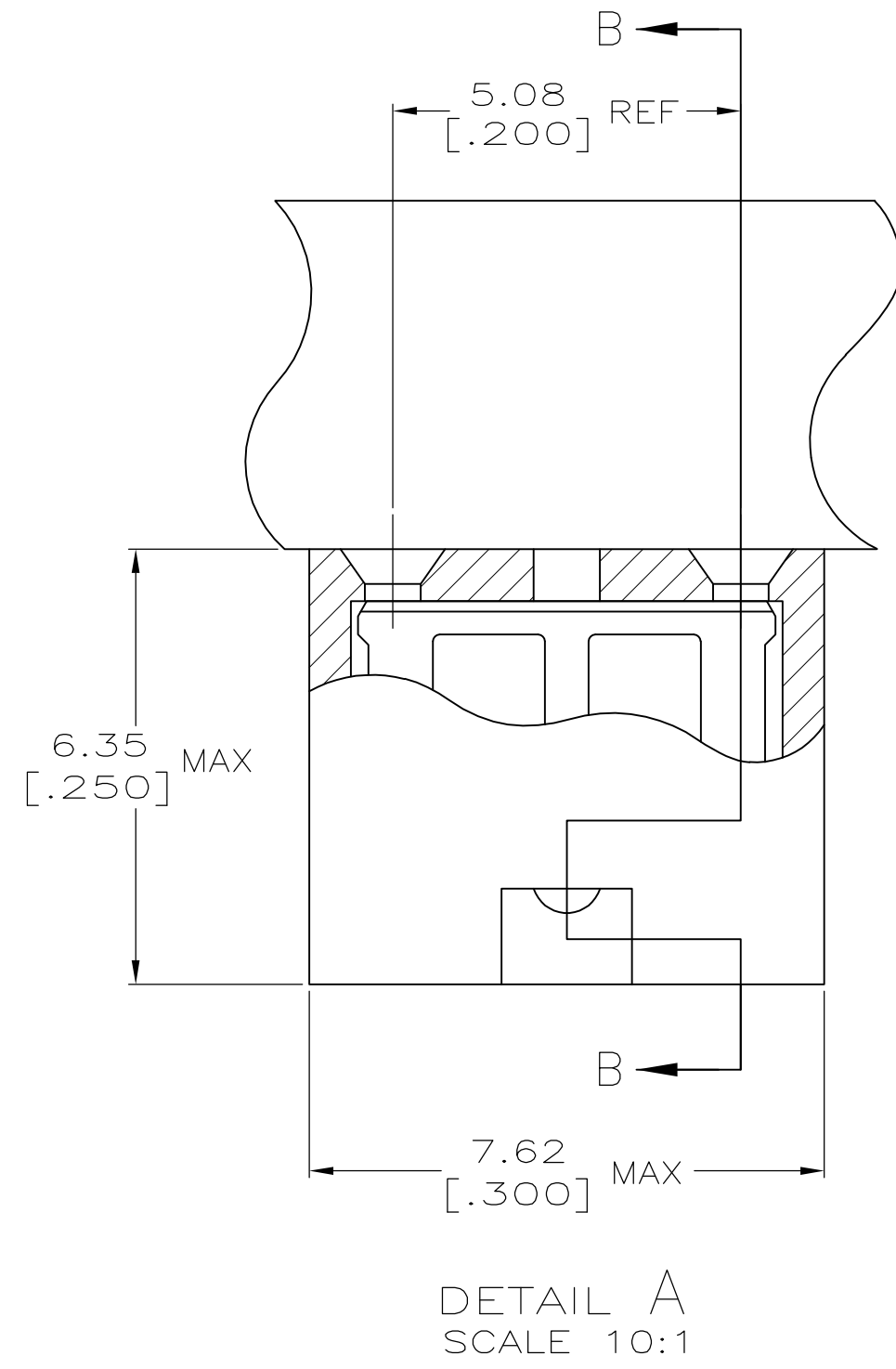


THIS DRAWING IS UNPUBLISHED. RELEASED FOR PUBLICATION
 © COPYRIGHT - By - ALL RIGHTS RESERVED.

LOC		DIST		REVISIONS			
P	LTR	DESCRIPTION	DATE	DWN	APVD		
AG	00						
	F2	REVISED PER ECO-11-004820	11MAR11	RK	HMR		



- 1 MATERIAL:
HOUSING: GLASS-FILLED POLYESTER, COLOR-BLACK.
CONTACT: BERYLLIUM COPPER.
- 2 CONTACT PLATED WITH 0.00254 [.000100] TIN-LEAD OVER ALL.
- 3 CONTACT PLATED WITH 0.00038 [.000015] GOLD IN CONTACT AREA OVER 0.00127 [.000050] NICKEL OVER ALL.
- 4 CONTACT PLATED WITH 0.00076 [.000030] GOLD IN CONTACT AREA OVER 0.00127 [.000050] NICKEL OVER ALL.
- 5 PART NO. DENOTES INDIVIDUAL TWO POSITION SHUNT, WHICH IS PACKAGED ON BREAKAWAY COMBS OF TEN SHUNTS.
- 6 CONNECTOR MATES WITH WIRE WRAP POSTS, 0.64 [.025] SQUARE OR ROUND AND 0.56 [.022] X 0.66 [.026] POSTS. LENGTH 5.08 [.200] MINIMUM.
- 7 CONTACT PLATED WITH 0.00254 [.000100] MATTE TIN OVER ALL.
- 8 PART NO. DENOTES INDIVIDUAL TWO POSITION SHUNT, WHICH IS PACKAGED LOOSE PIECE.
- 9 PRELIMINARY P/N - NOT RELEASED FOR PRODUCTION



FINISH	PART NUMBER
7	531230-5
4	531230-4
3	531230-3
2	531230-2
1	531230-1

THIS DRAWING IS A CONTROLLED DOCUMENT.		DWN	R.TALLEY	3-12-91	STE TE Connectivity		
DIMENSIONS: mm [INCHES]		CHK	-	-			
TOLERANCES UNLESS OTHERWISE SPECIFIED:		APVD	-	-	NAME		
0 PLC ± -		PRODUCT SPEC	108-9057		SIZE		
1 PLC ± -		APPLICATION SPEC	114-1059		CAGE CODE	DRAWING NO	RESTRICTED TO
2 PLC ± -		MATERIAL	1	SEE TABLE	A2	00779	C=531230
3 PLC ± 0.26 [.010]		FINISH	SEE TABLE		SCALE	SHEET	REV
4 PLC ± -		CUSTOMER DRAWING		4:1	1 of 1	F2	
ANGLES ± -							

Mouser Electronics

Authorized Distributor

Click to View Pricing, Inventory, Delivery & Lifecycle Information:

[TE Connectivity:](#)

[531230-1](#)