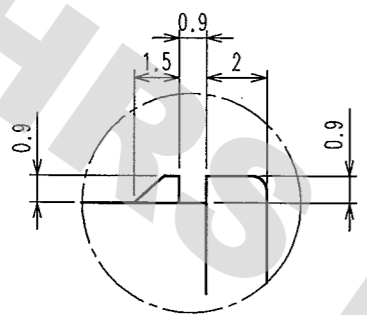
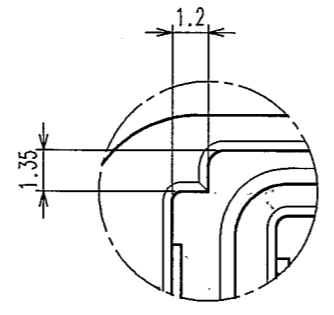


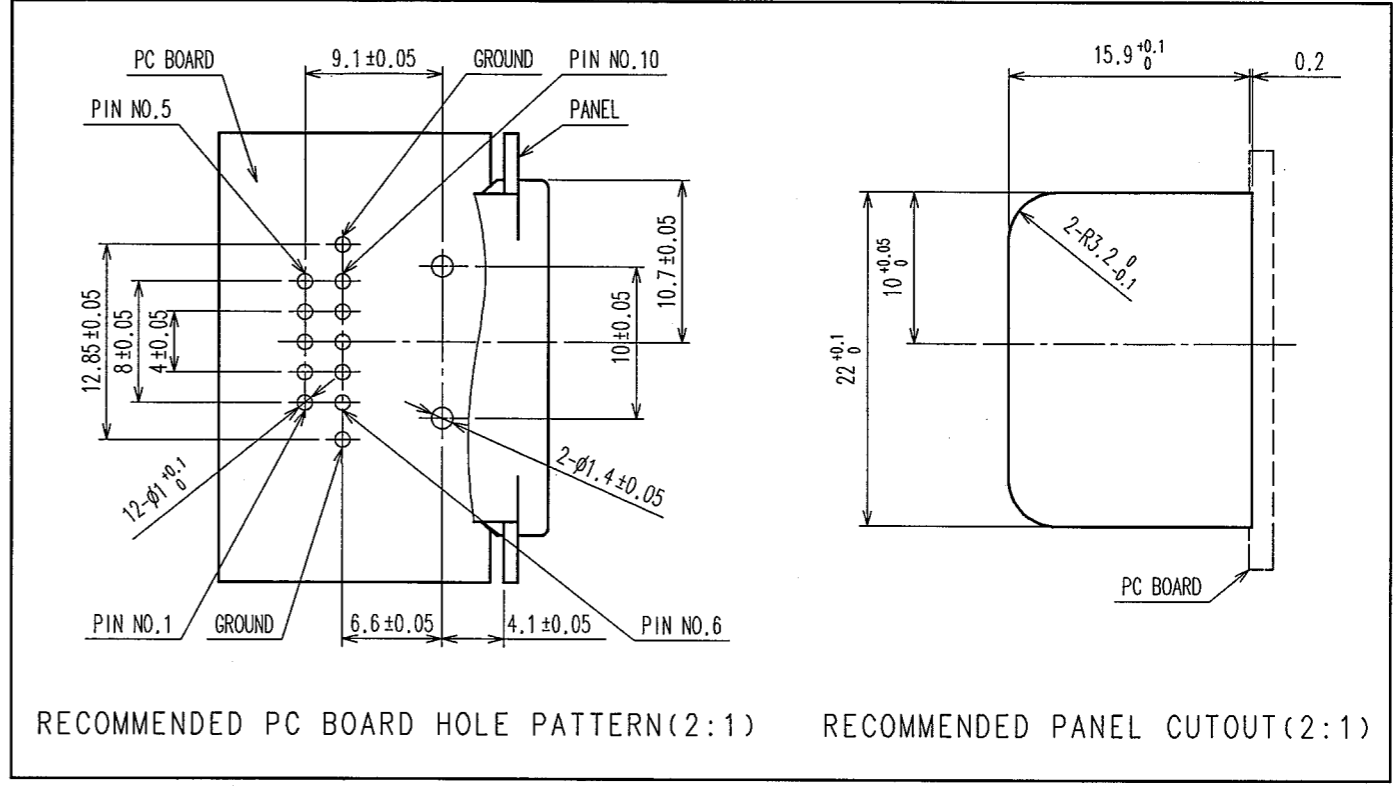
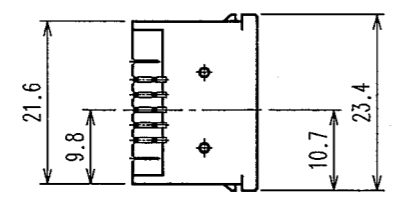
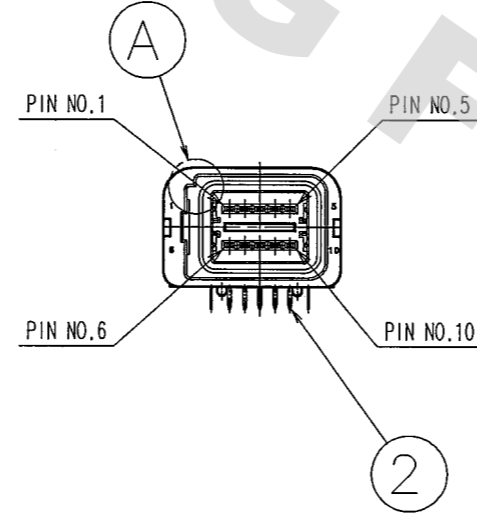
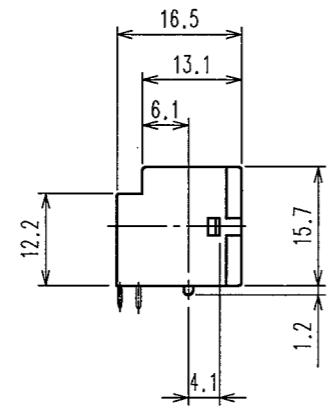
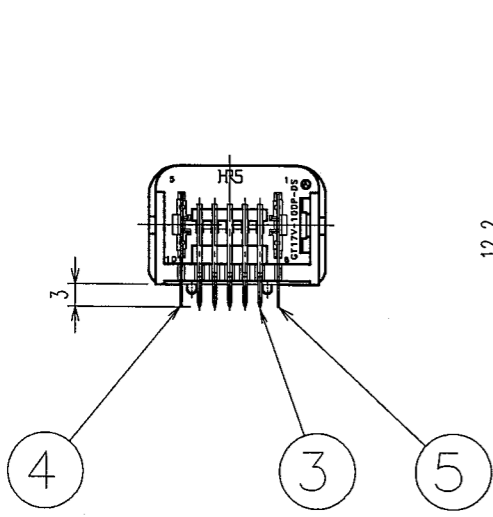
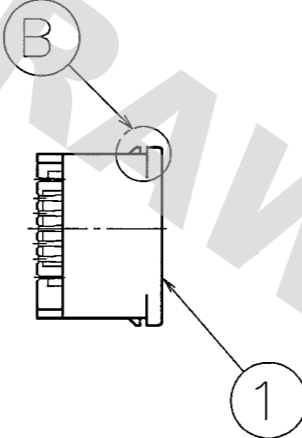
COUNT	DESCRIPTION OF REVISIONS	BY	CHKD	DATE	COUNT	DESCRIPTION OF REVISIONS	BY	CHKD	DATE



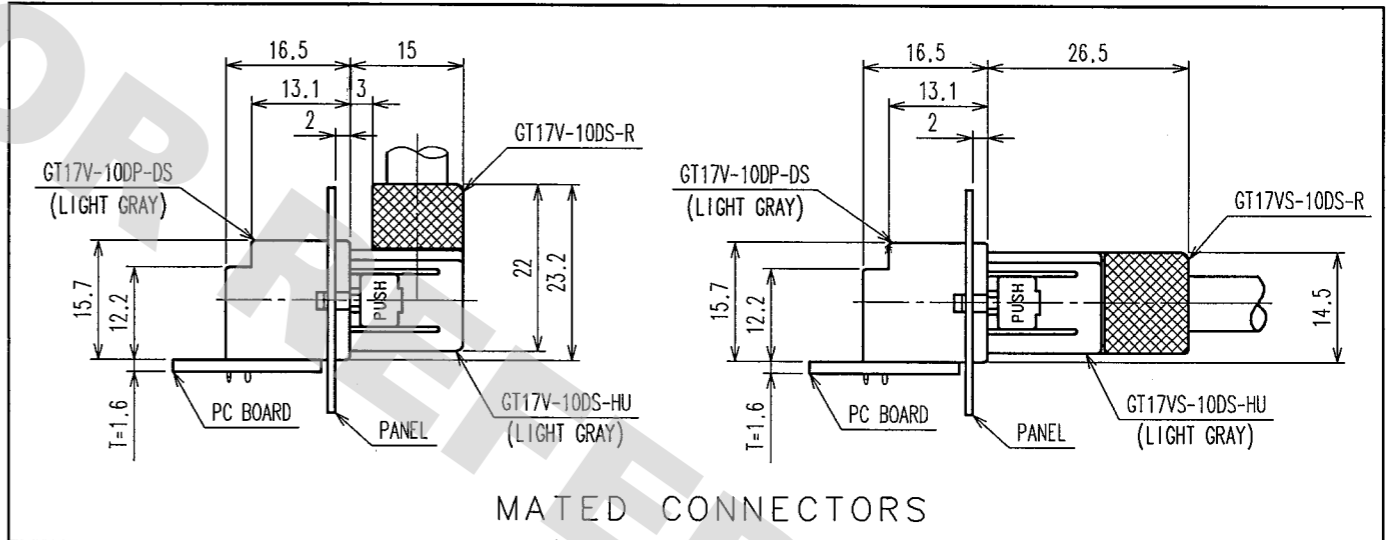
B (4:1)



A (4:1)



RECOMMENDED PC BOARD HOLE PATTERN(2:1) RECOMMENDED PANEL CUTOUT(2:1)



MATED CONNECTORS

NO.	MATERIAL	FINISH, REMARKS	NO.	MATERIAL	FINISH, REMARKS
3	BRASS	TIN PLATED ,T=0.64	5	COPPER ALLOY	TIN PLATED ,T=0.25
2	BRASS	TIN PLATED ,T=0.64	4	COPPER ALLOY	TIN PLATED ,T=0.25
1	PBT	LIGHT GRAY			

Pb Free

CODE NO. (OLD)	DRAWN	DESIGNED	CHECKED	APPROVED	RELEASED
	<i>M. Haridagashi</i>	T. SHISHIKURA	<i>K. Sato</i>	<i>K. Sato</i>	
	04.9.14	'01.7.30	04.9.14	'04.9.14	

 SCALE 1 : 1 UNITS mm	DRAWING NO. EDC3-165532-01 HIROSE ELECTRIC CO., LTD.	PART NO. GT17V-10DP-DS(70) CODE NO. CL767-0034-8-70	1/1
-----------------------------------	--	--	-----

DRAWING FOR REFERENCE: This is subject to change without notice 08/11/2012

TO

Mouser Electronics

Authorized Distributor

Click to View Pricing, Inventory, Delivery & Lifecycle Information:

[Hirose Electric:](#)

[GT17V-10DP-DS\(70\)](#)