



# Resin Sealed SMD Crystal

Model: FQ5032 SERIES

RoHS Compliant / Pb Free

Rev. 6/19/2014

Page 1 of 2

[http://www.foxonline.com/need\\_a\\_sample.htm](http://www.foxonline.com/need_a_sample.htm)

Need a  
Sample®

## FEATURES

- Surface Mount Resin Sealed
- Low Cost
- Ultra Low Profile
- Fundamental to 48.000 MHz
- Tape and Reel (1,000 pcs STD)

## OPTIONS

- Tolerances to  $\pm 20$  PPM
- Stabilities to  $\pm 20$  PPM
- Temp Range to  $-40^{\circ}\text{C} \sim +85^{\circ}\text{C}$

## • PART NUMBER

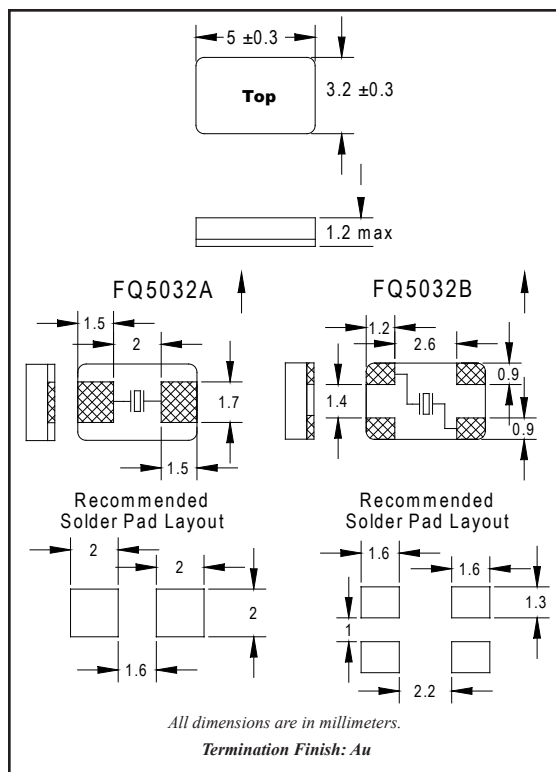
Part Number	Model Number	Frequency Range (MHz)
738A-Frequency-xxxxx	FQ5032A	8.000 ~ 60.000
738B-Frequency-xxxxx	FQ5032B	8.000 ~ 60.000

## • STANDARD SPECIFICATIONS<sup>1</sup>

PARAMETERS	MAX (unless otherwise noted)
Frequency Range (Fo)	8.000 ~ 60.000 MHz
Frequency Tolerance @ 25°C	$\pm 30$ PPM <sup>1</sup>
Frequency Stability, ref @ 25°C Over Operating Temp Range	$\pm 30$ PPM <sup>1</sup>
Temperature Range	
Operating (TOPR)	$0^{\circ}\text{C} \sim +70^{\circ}\text{C}$ <sup>1</sup>
Storage (TSTG)	$-40^{\circ}\text{C} \sim +85^{\circ}\text{C}$
Shunt Capacitance (Co)	7 pF
Load Capacitance (CL)	10 pF ~ Series (Customer Specified)
Drive Level	0.5 mW
Aging per year	$\pm 5$ PPM

<sup>1</sup> Other tolerances, stabilities & operating temperature ranges available. Consult Fox Customer Service for specific requirements.

**NOTE:** The above specifications, having been carefully prepared and checked, is believed to be accurate at the time of publication; however, no responsibility is assumed by Fox Electronics for inaccuracies. All specifications subject to change without notice.



Frequency Range (MHz)	Operating Mode	Max ESR $\Omega$
8.000000 ~ 11.999999	Fundamental	100
12.000000 ~ 16.000	Fundamental	80
16.000001 ~ 48.000	Fundamental	50
48.000001 ~ 60.000	3rd OT	100

# Resin Sealed SMD Crystal



Model: FQ5032 SERIES

RoHS Compliant / Pb Free

Rev. 6/19/2014

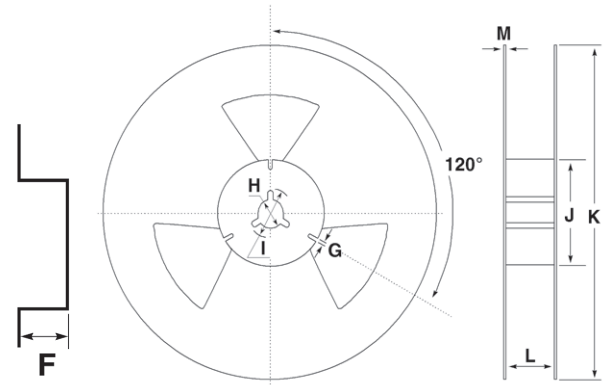
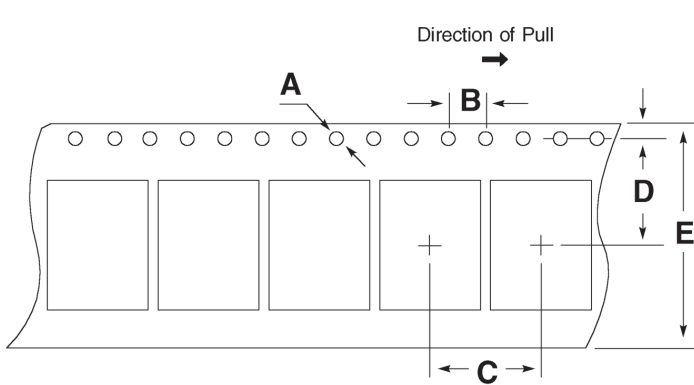
Page 2 of 2

[http://www.foxonline.com/need\\_a\\_sample.htm](http://www.foxonline.com/need_a_sample.htm)



• TAPE SPECIFICATIONS (millimeters)							
MODEL	A	B	C	D	E	F	STD Reel QTY
FQ5032	∅1.5	4.0	8.0	5.5	12.0	1.5	1,000

• REEL SPECIFICATIONS (millimeters)							
MODEL	G	H	I	J	K	L	M
FQ5032	2.0	∅13	∅21	∅62	∅180	13.5	2.0



All specifications subject to change without notice.

• FQ5032 Standard Crystals					
Part Number	Frequency	Tolerance	Stability	Temp Range	CL
FQ5032B-10.000	10.000000	+/- 30 ppm	+/- 30 ppm	0 to +70 C	20pF
FQ5032B-12.000	12.000000	+/- 30 ppm	+/- 30 ppm	0 to +70 C	20pF
FQ5032B-16.000	16.000000	+/- 30 ppm	+/- 30 ppm	0 to +70 C	20pF
FQ5032B-20.000	20.000000	+/- 30 ppm	+/- 30 ppm	0 to +70 C	20pF
FQ5032B-24.000	24.000000	+/- 30 ppm	+/- 30 ppm	0 to +70 C	20pF
FQ5032B-25.000	25.000000	+/- 30 ppm	+/- 30 ppm	0 to +70 C	20pF
FQ5032BR-10.000	10.000000	+/- 30 ppm	+/- 50 ppm	-40 to +85 C	20pF
FQ5032BR-12.000	12.000000	+/- 30 ppm	+/- 50 ppm	-40 to +85 C	20pF
FQ5032BR-16.000	16.000000	+/- 30 ppm	+/- 50 ppm	-40 to +85 C	20pF
FQ5032BR-20.000	20.000000	+/- 30 ppm	+/- 50 ppm	-40 to +85 C	20pF
FQ5032BR-24.000	24.000000	+/- 30 ppm	+/- 50 ppm	-40 to +85 C	20pF
FQ5032BR-25.000	25.000000	+/- 30 ppm	+/- 50 ppm	-40 to +85 C	20pF

# Mouser Electronics

Authorized Distributor

Click to View Pricing, Inventory, Delivery & Lifecycle Information:

## ABRACON:

[FQ5032B-20](#) [FQ5032B-25](#) [FQ5032B-24](#) [FQ5032B-16](#) [FQ5032B-12](#) [FQ5032B-24.576](#) [FQ5032BR-10.000](#)  
[FQ5032BR-12.000](#) [FQ5032BR-16.000](#) [FQ5032BR-20.000](#) [FQ5032BR-24.000](#) [FQ5032BR-25.000](#)