

D6 Series SPST Momentary Key Switches

Features/Benefits

- Easy X, Y coding on single side PCB
- Positive/ smooth tactile feedback
- High temperature
- Wide variety of colors & styles
- Illuminated versions available
- RoHS compliant and compatible

Typical Applications

- Video
- Electronic games
- Appliances



Construction

FUNCTION: momentary
 CONTACT ARRANGEMENT: 1 make contact (SPST), NO
 DISTANCE BETWEEN BUTTON CENTERS, MIN.: 12,7 (0.500)
 TERMINALS: PC pins

Electrical

	Non-Illuminated	Illuminated
SWITCHING POWER MAX.:	3 VA	0.35 VA
SWITCHING VOLTAGE MAX.:	32 V DC	35 V DC
SWITCHING CURRENT MAX.:	100 mA DC	10 mA DC
OPERATING LIFE with max. switching power:	Version F1: 250 000 operations Version F2: 100 000 operations	Version F1: 100 000 operations Version F2: 30 000 operations
CONTACT RESISTANCE:	≤100 mΩ	≤200 mΩ
DIELECTRIC STRENGTH (50 Hz / 1 min):	250 V	
INSULATION RESISTANCE:	≥10 ⁹ Ω	
BOUNCE TIME:	≤10 ms	

Mechanical

	Non-Illuminated	Illuminated
SWITCHING TRAVEL:	Version F1: 0.2 mm ≤ Te ≤ 1.0 mm Version F2: 0.3 mm ≤ Te ≤ 1.1 mm	0.4 mm ≤ Te ≤ 0.8 mm
OPERATING FORCE:	Version F1: 0.8N ≤ Fa ≤ 1.8N Version F2: 2.0N ≤ Fa ≤ 3.5N	Version F1: 0.8N ≤ Fa ≤ 1.8N Version F2: 1.5N ≤ Fa ≤ 2.5N
SEALING:	IP40	

Environmental

	Non-Illuminated	Illuminated
OPERATING TEMPERATURE:	-20°C to 85°C	-20°C to 60°C

Process

SOLDERABILITY:

Wave soldering, compatible with lead free soldering profile
 Hand soldering, 350°C for 3 seconds

Packaging

The D6 switches are delivered in boxes containing 10 trays with 250 pieces each:
 Total 2,500 pieces per box.
 The D6 buttons are delivered in bulk with 2500 pieces per box.

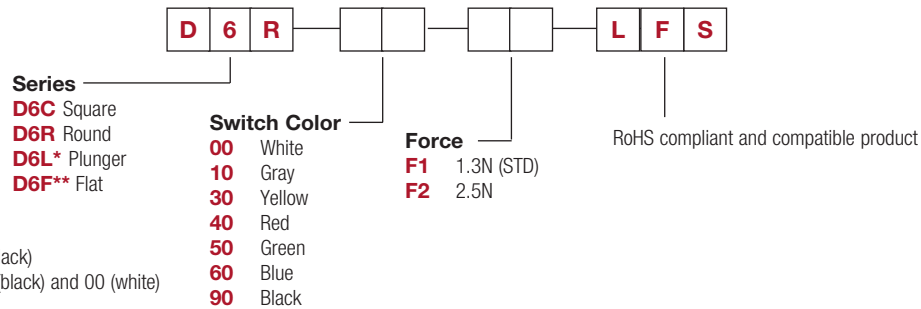
D6 Series SPST Momentary Key Switches

How To Order

Our easy build-a-switch concept allows you to mix and match options to create the switch you need. To order, select desired option from each category and place it in the appropriate box.

NON-ILLUMINATED

Switch



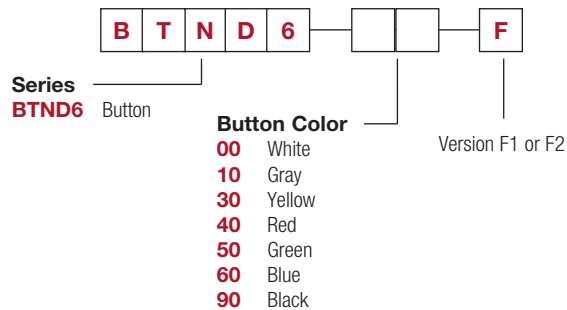
*Available only in color 90 (black)

** Available only in color 90 (black) and 00 (white)

Button

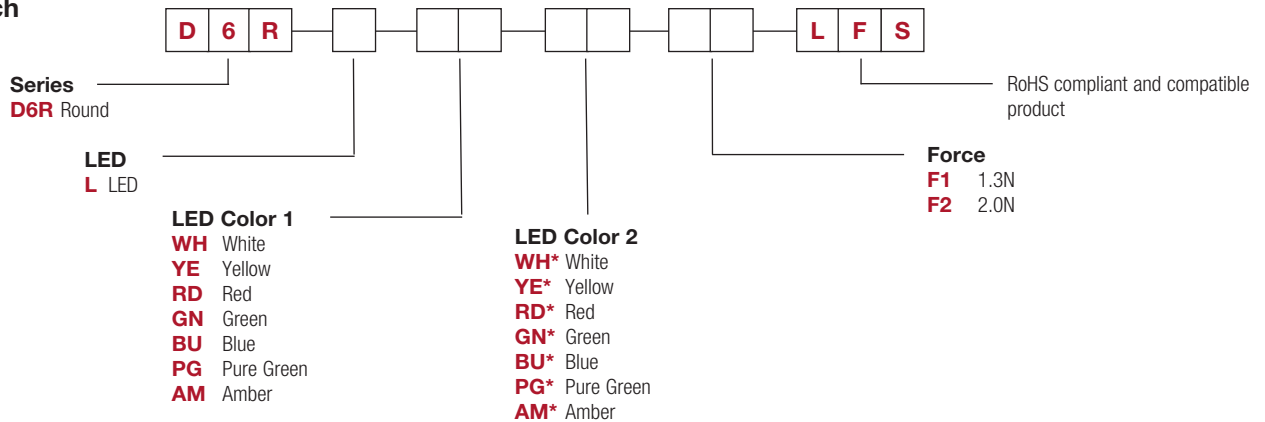
Buttons can be ordered separately
 Shipped in bulk

D6 button for use with D6C only



ILLUMINATED

Switch

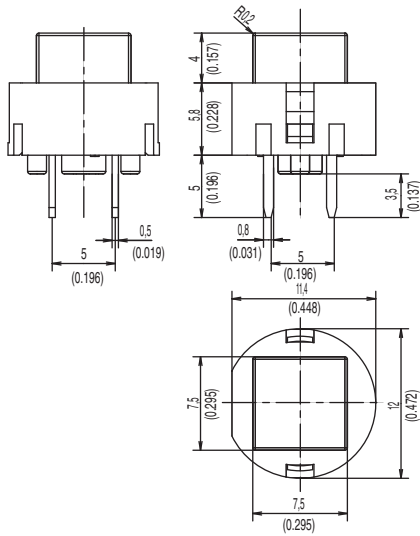
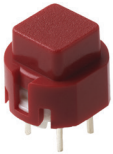


* Please contact technical support for these configurations

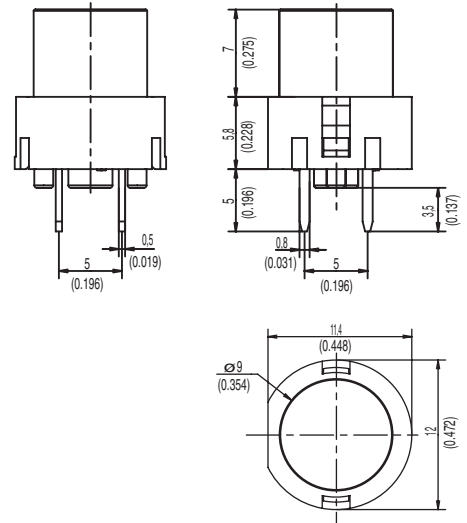
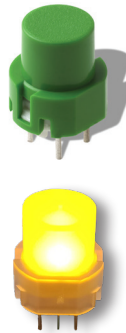
D6 Series SPST Momentary Key Switches

SERIES

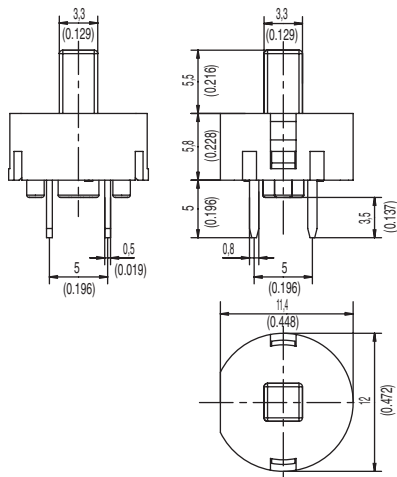
D6C



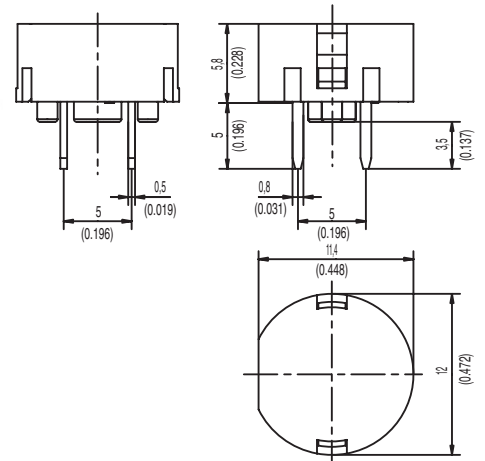
D6R



D6L ONLY AVAILABLE IN BLACK



D6F



Key Switches

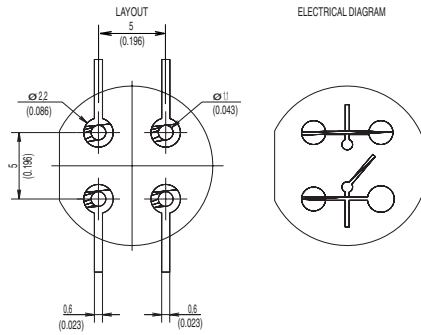


First Angle
Projection

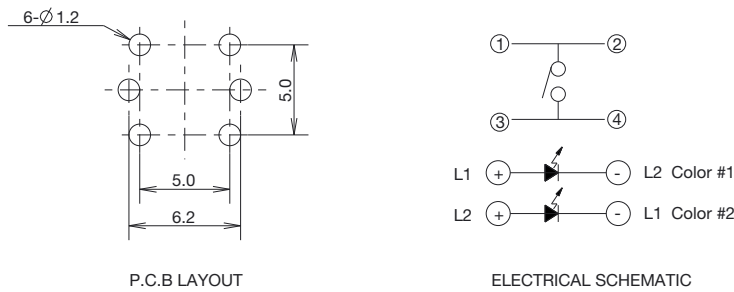
D6 Series SPST Momentary Key Switches

PCB LAYOUT

Switch (Non-Illuminated)



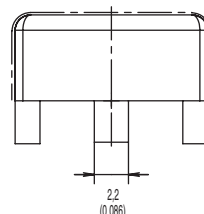
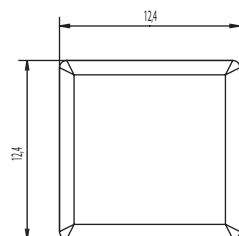
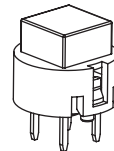
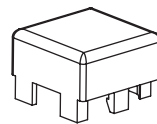
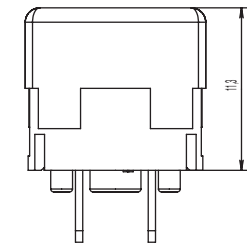
Switch (Illuminated)



BUTTON AVAILABLE

BTND6 Buttons must be ordered separately. Shipped in bulk.

NOTE: Only compatible with D6C



OPTION CODE	BUTTON COLOR
00	WHITE
10	GRAY
30	YELLOW
40	RED
50	GREEN
60	BLUE
90	BLACK



First Angle
Projection

Dimensions are shown: mm
Specifications and dimensions subject to change

Mouser Electronics

Authorized Distributor

Click to View Pricing, Inventory, Delivery & Lifecycle Information:

C&K Switches:

[D6C60F2LFS](#) [D6C10F1LFS](#) [D6C60F1LFS](#) [D6R50F1LFS](#) [D6C50F2LFS](#) [D6R30F2LFS](#) [D6R60F2LFS](#)
[D6R30F1LFS](#) [D6C30F1LFS](#) [D6R10F2LFS](#) [D6R00F2LFS](#) [D6C50F1LFS](#) [D6R40F2LFS](#) [D6C90F1LFS](#) [D6C10F2LFS](#)
[D6C00F2LFS](#) [D6C40F1LFS](#) [D6C30F2LFS](#) [D6F90F1LFS](#) [D6R00F1LFS](#) [D6R60F1LFS](#) [D6R50F2LFS](#)
[D6F00F2LFS](#) [D6F00F1LFS](#) [D6R90F2LFS](#) [D6L90F2LFS](#) [D6C40F2LFS](#) [D6F90F2LFS](#) [D6C00F1LFS](#) [D6RLBUF1](#)
[LFS](#) [D6RLGNF1 LFS](#) [D6RLRDF1 LFS](#) [D6RLWHF1 LFS](#)