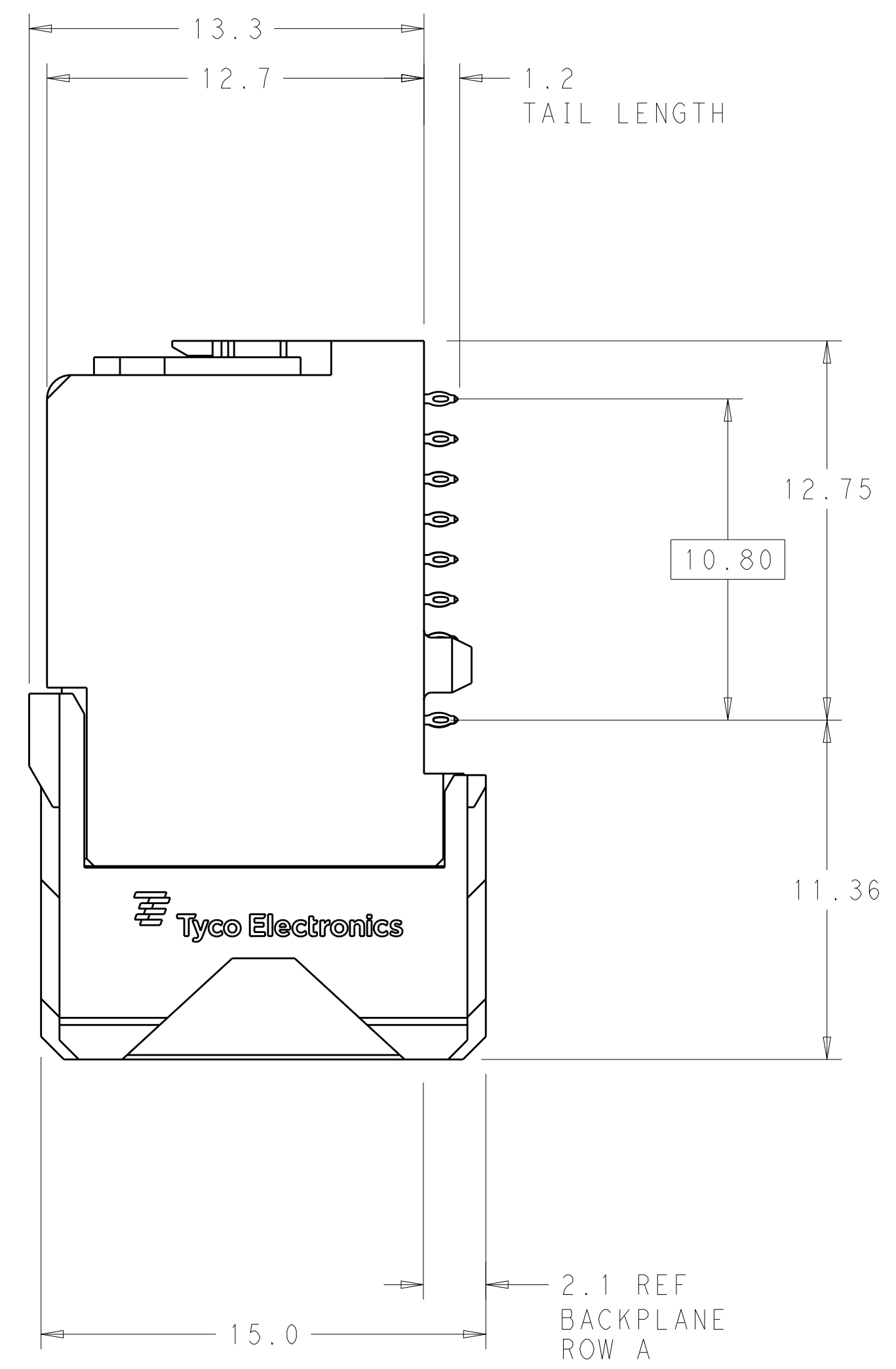
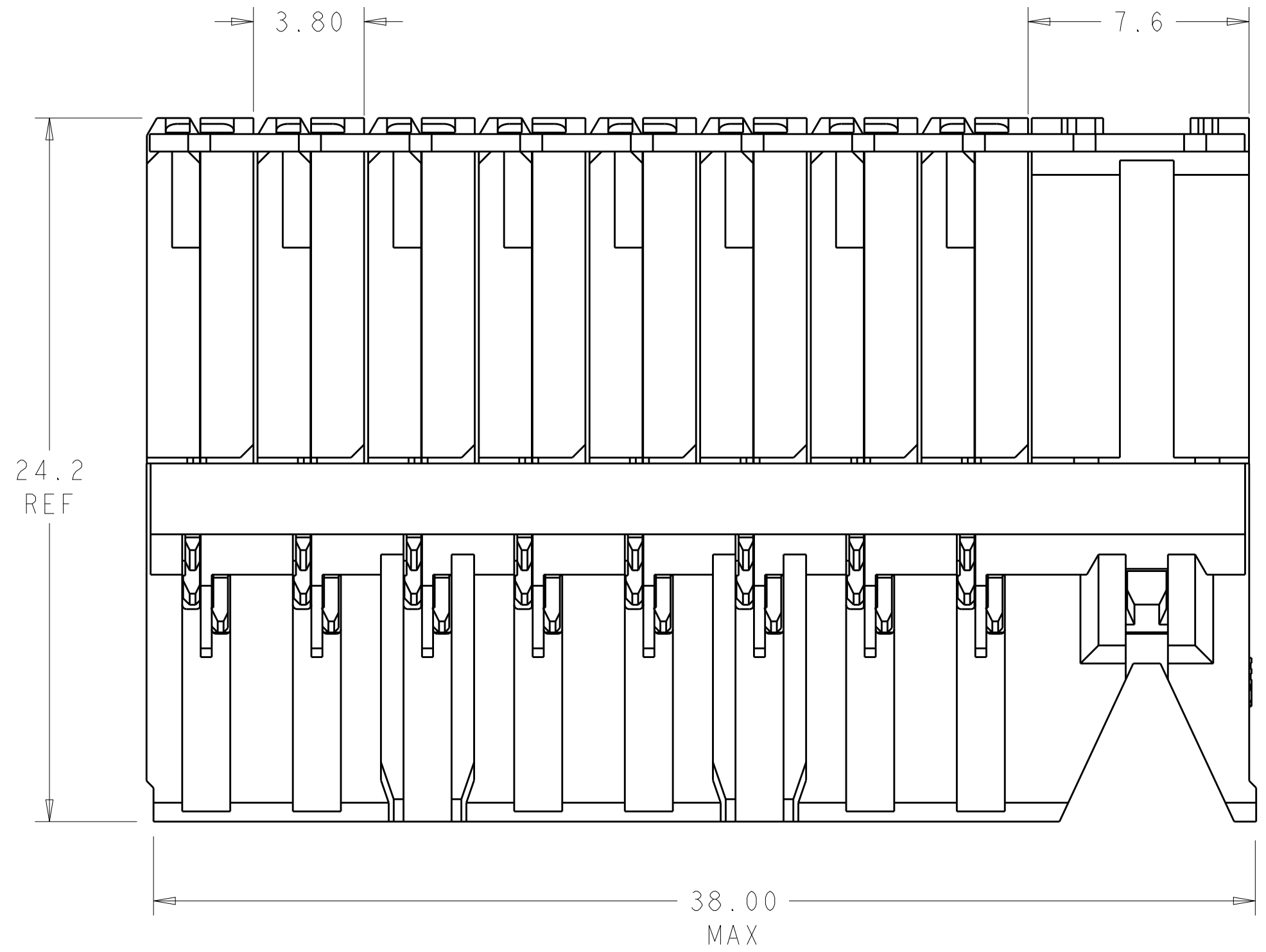


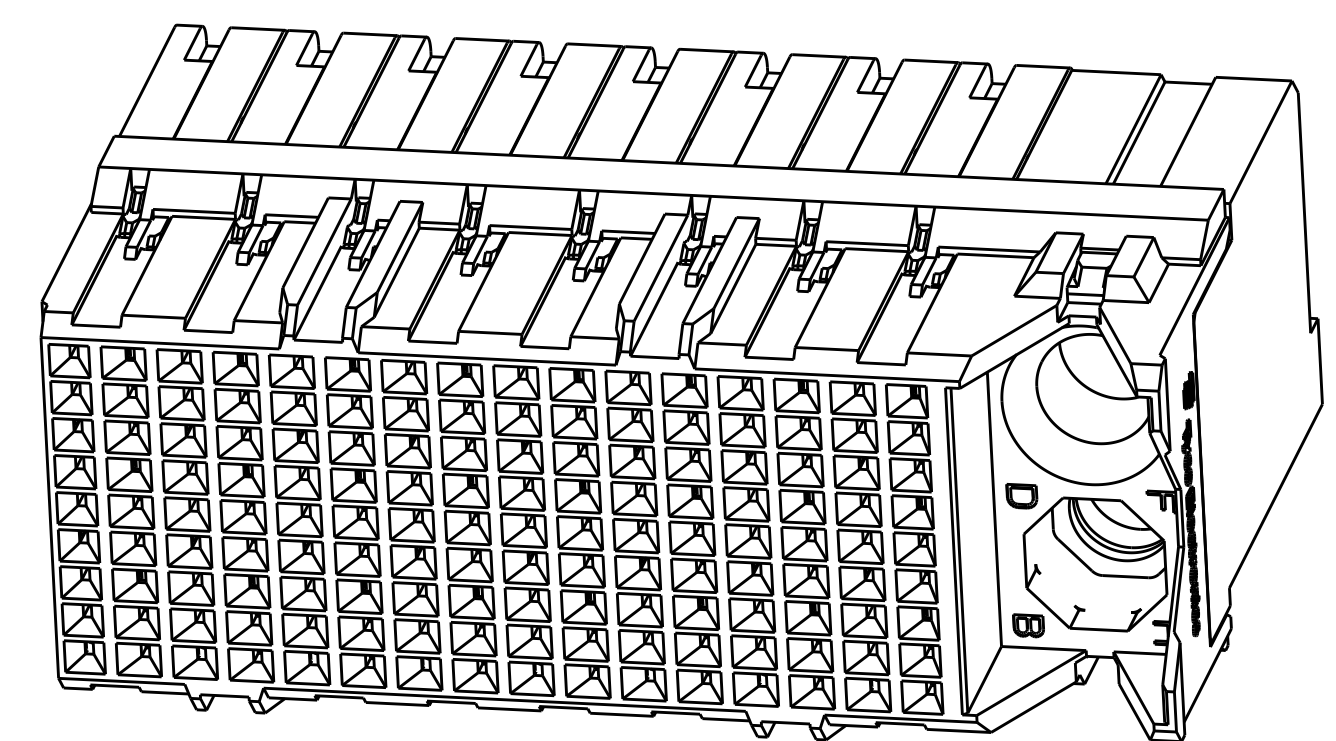
LOC		DIST		REVISIONS			
P	LTN	DATE	DWN	APVD			
F1		REVISD PER ECO-14-018035	11MAR2015	AP	DD		



⚠ MATERIAL:
HOUSING: LCP, GLASS FILLED, UL94V-0.
TERMINALS: HIGH PERFORMANCE COPPER ALLOY.

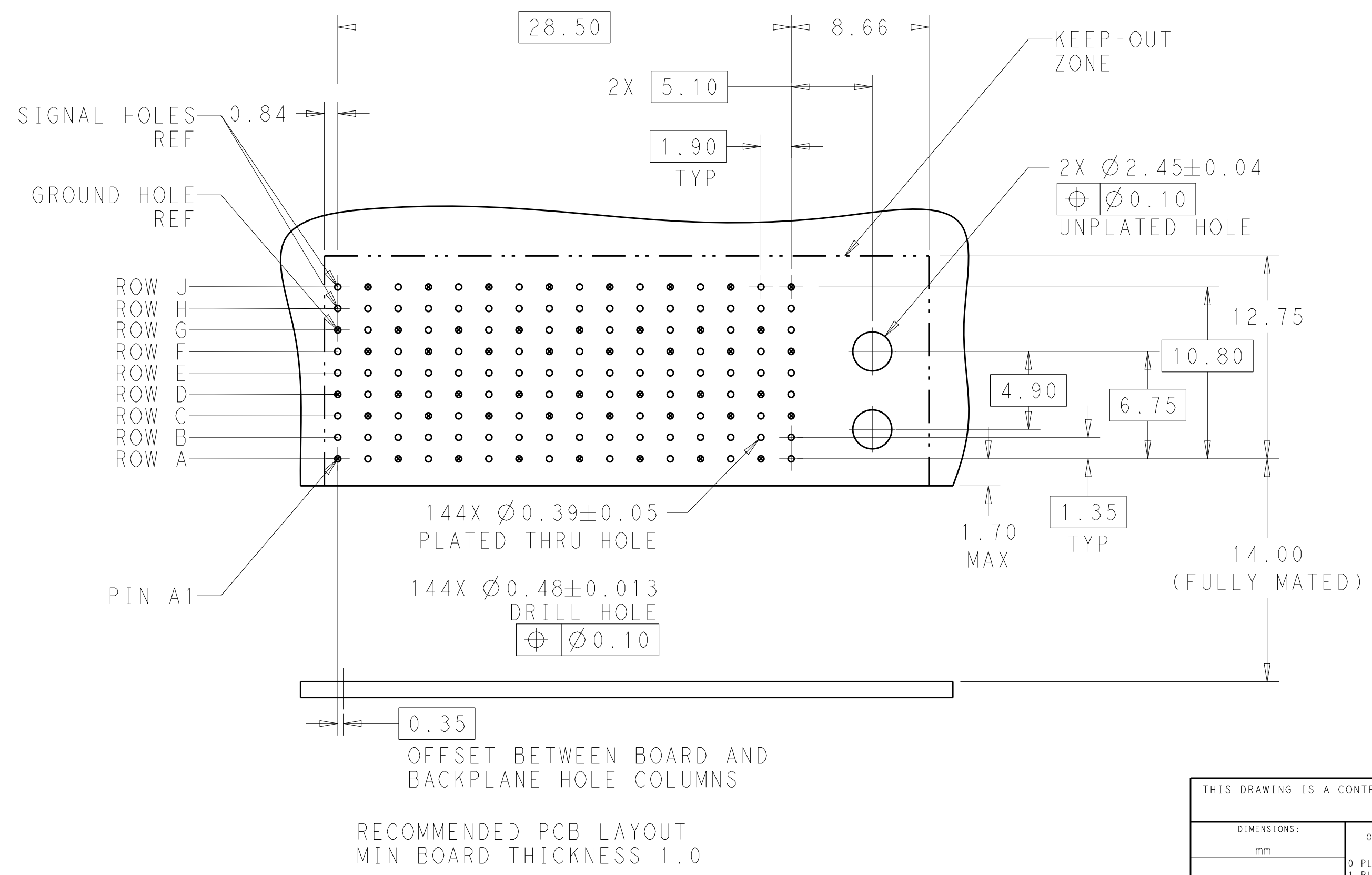
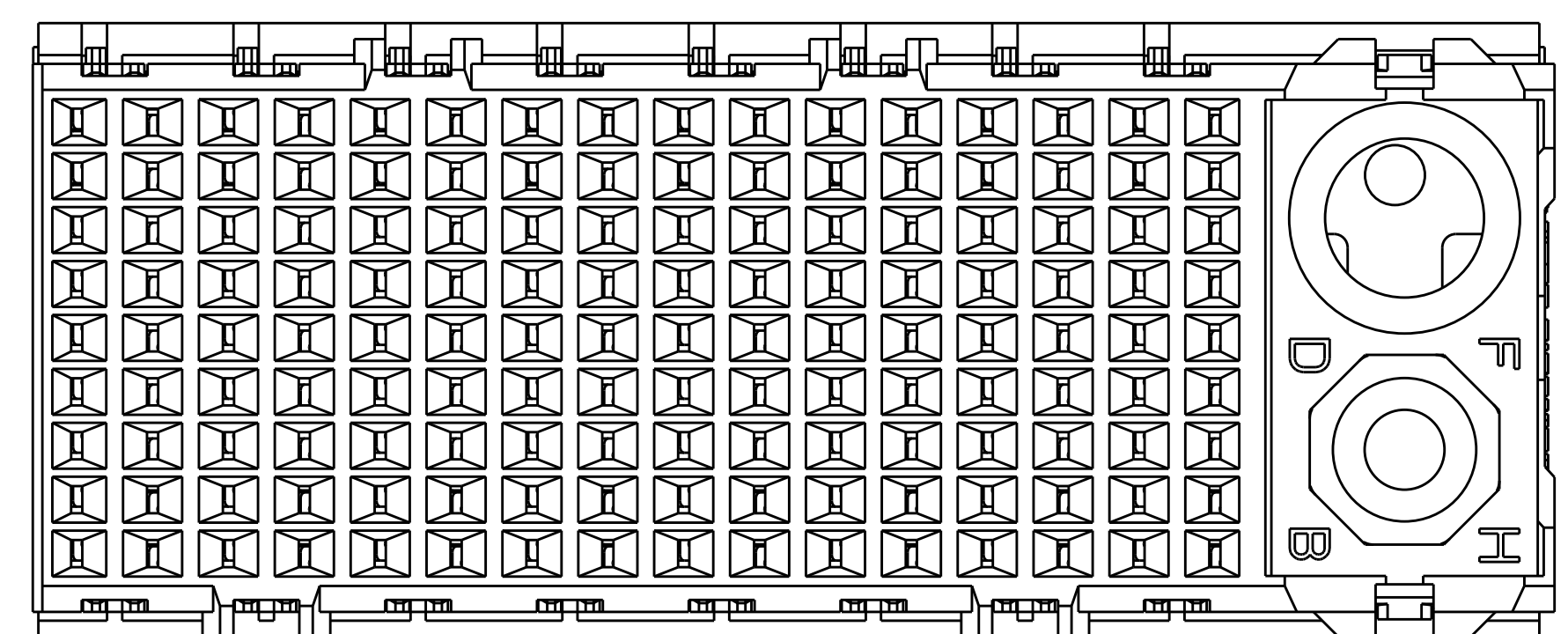
⚠ FINISH:
30µ" SELECTIVE GOLD IN CONTACT AREA. SELECTIVE TIN ON PCB TAILS, NICKEL OVERALL.

3. CONNECTORS SUPPLIED WITH MOUNTING SCREWS.



SCALE 4:1

REFER TO WWW.TE.COM FOR PRODUCT AVAILABILITY



KEY POSITION CHART	
	NONE
	A
	B
	C
	D
	E
	F
	G
	H

KEY POSITION	FINISH	PART NUMBER
H	⚠	8-2007710-1
G	⚠	7-2007710-1
F	⚠	6-2007710-1
E	⚠	5-2007710-1
D	⚠	4-2007710-1
C	⚠	3-2007710-1
B	⚠	2-2007710-1
A	⚠	1-2007710-1
NONE	⚠	2007710-1

THIS DRAWING IS A CONTROLLED DOCUMENT.

DWN: 05APR2011
CHK: D. DIXON 05APR2011
APVD: D. DIXON 05APR2011

TE Connectivity

NAME: IMPACT, 3 PAIR, DAUGHTERCARD 16 COLUMN, RIGHT GUIDED, SIGNAL MODULE, 0.39 EYELET

SIZE: A1 00779C=2007710

SCALE: 6:1 SHEET 1 OF 1 REV F1

Mouser Electronics

Authorized Distributor

Click to View Pricing, Inventory, Delivery & Lifecycle Information:

[TE Connectivity:](#)

[2007710-1](#)