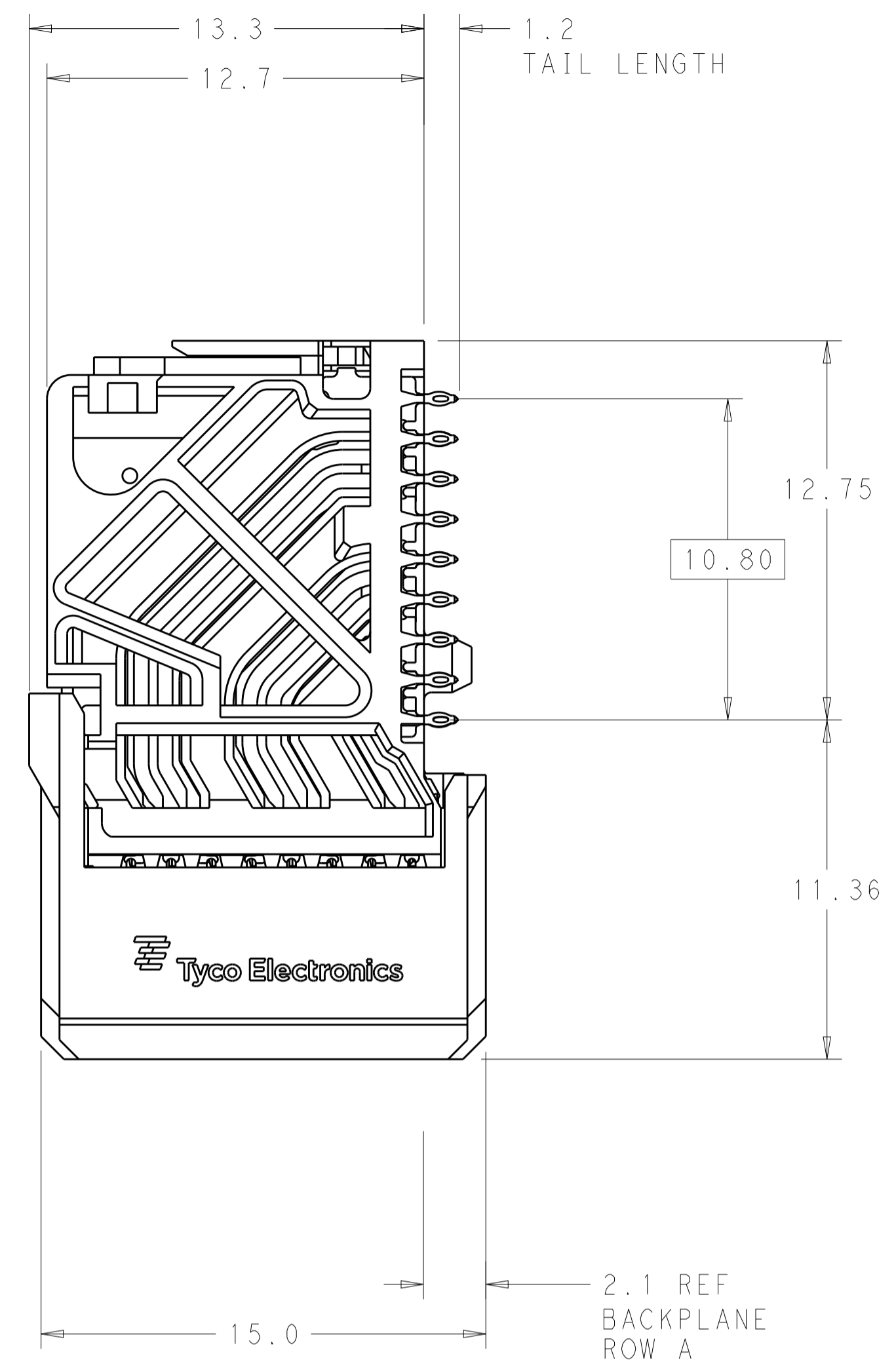
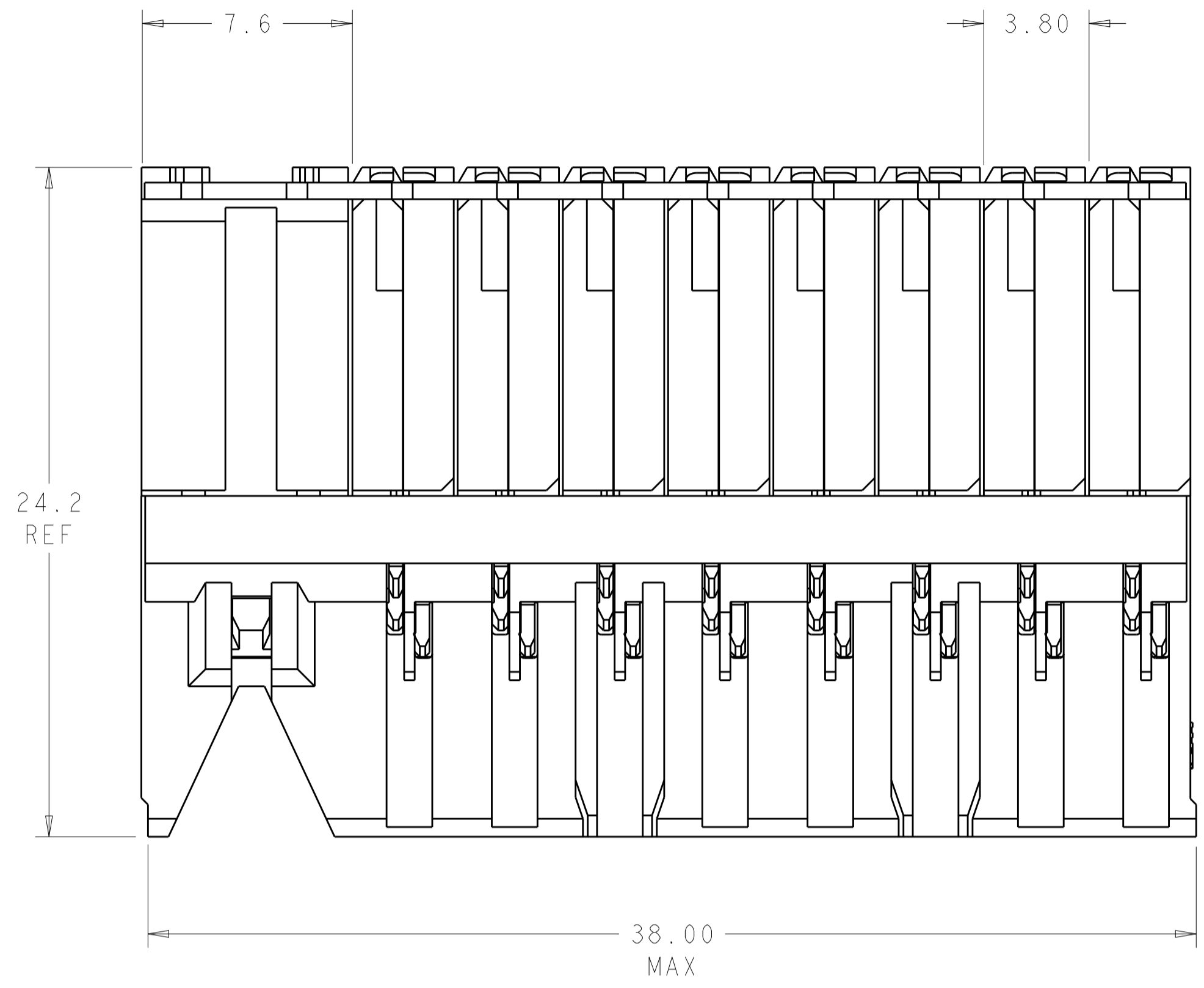


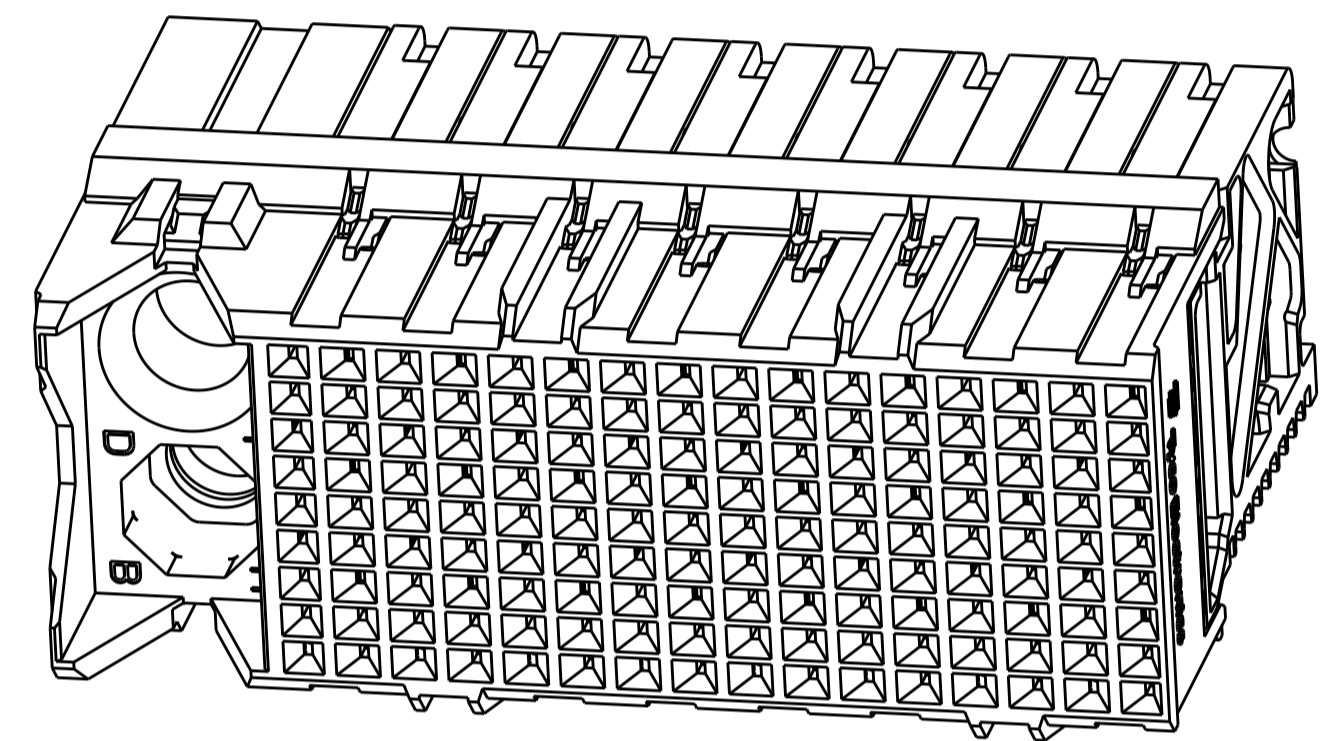
LOC	DIST	REVISIONS			
P	LTN	DESCRIPTION	DATE	DWN	APVD
D3		REVISED PER ECO-14-018035	11MAR2015	AP	DD



⚠ MATERIAL:  
 HOUSING: LCP, GLASS FILLED, UL94V-0.  
 TERMINALS: HIGH PERFORMANCE COPPER ALLOY.

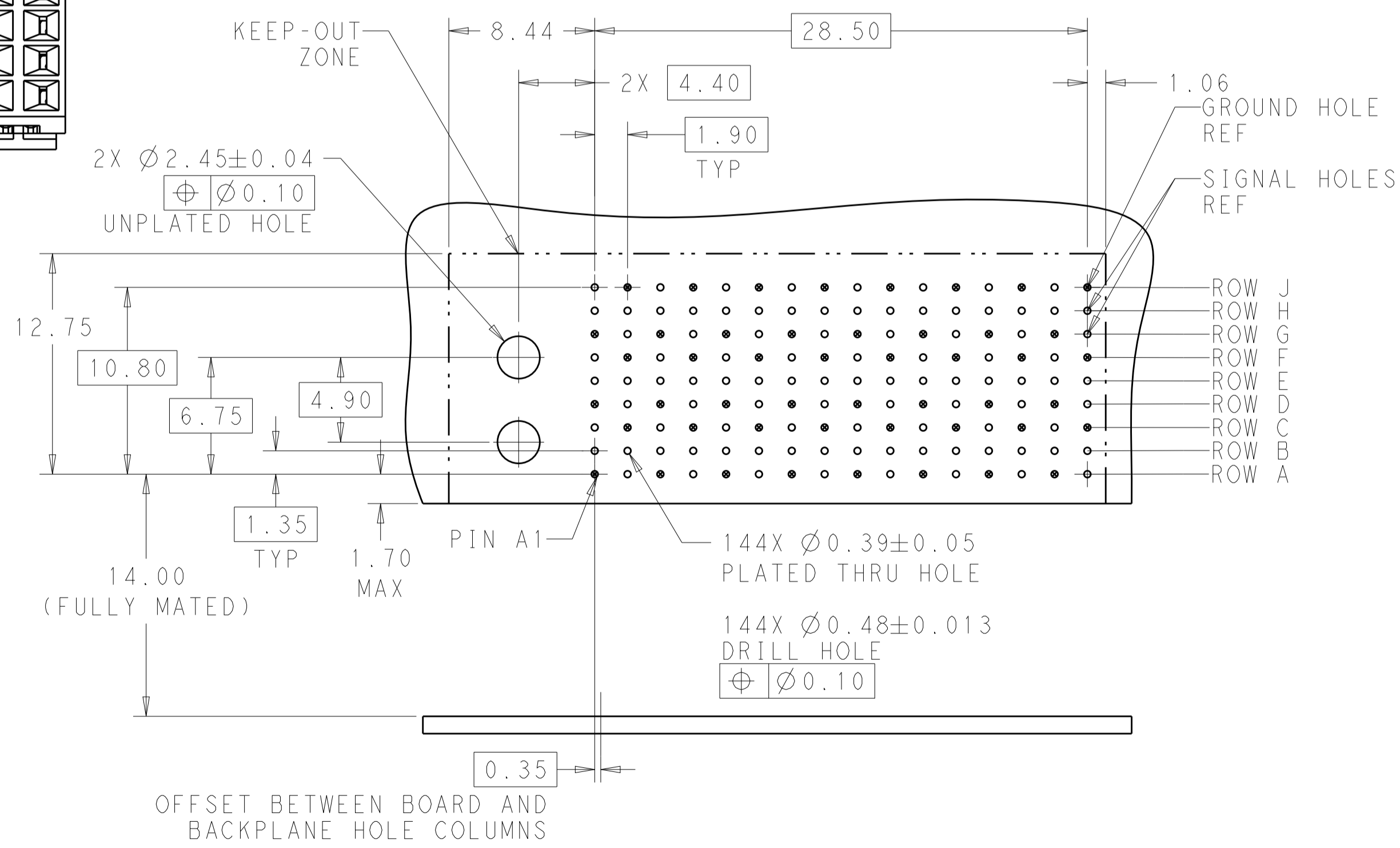
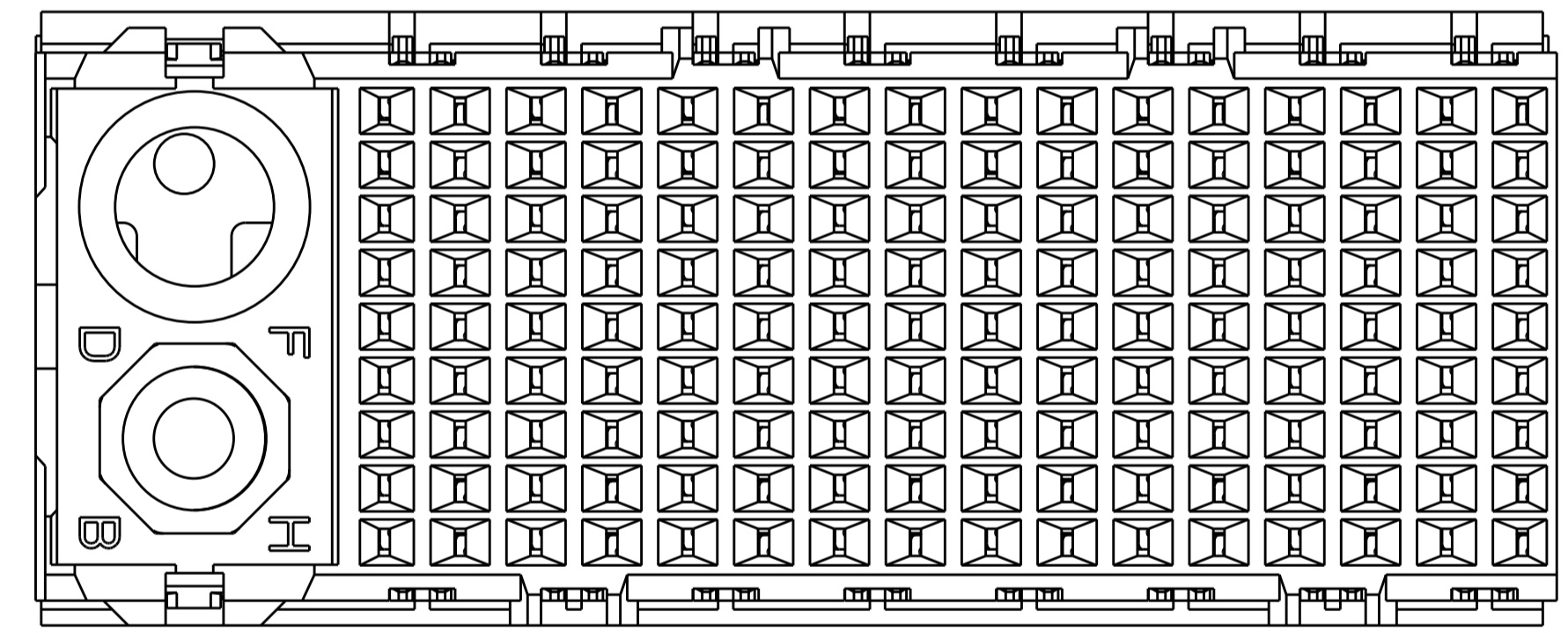
⚠ FINISH:  
 30µ" SELECTIVE GOLD IN CONTACT AREA. SELECTIVE TIN ON PCB TAILS, NICKEL OVERALL.

3. CONNECTORS SUPPLIED WITH MOUNTING SCREWS.



SCALE 4:1

REFER TO WWW.TE.COM FOR PRODUCT AVAILABILITY



KEY POSITION CHART	
NONE	
A	E
B	F
C	G
D	H

KEY POSITION	FINISH	PART NUMBER
H	⚠	8-2007709-1
G	⚠	7-2007709-1
F	⚠	6-2007709-1
E	⚠	5-2007709-1
D	⚠	4-2007709-1
C	⚠	3-2007709-1
B	⚠	2-2007709-1
A	⚠	1-2007709-1
NONE	⚠	2007709-1

THIS DRAWING IS A CONTROLLED DOCUMENT.

DWN: 05APR2011  
 CHK: D. DIXON 05APR2011  
 APVD: D. DIXON 05APR2011

TE Connectivity

NAME: IMPACT, 3 PAIR, DAUGHTERCARD 16 COLUMN, LEFT GUIDED, SIGNAL MODULE, 0.39 EYELET

SIZE: A1 00779C=2007709  
 WEIGHT: -  
 Customer Drawing

SCALE: 6:1 SHEET 1 OF 1 REV: D3

# Mouser Electronics

Authorized Distributor

Click to View Pricing, Inventory, Delivery & Lifecycle Information:

[TE Connectivity:](#)

[2007709-1](#)