
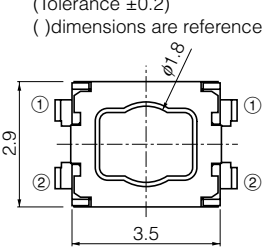
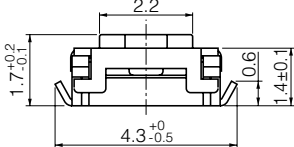
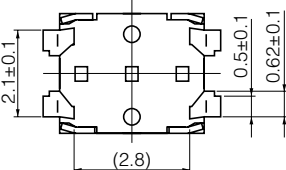
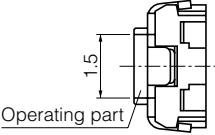
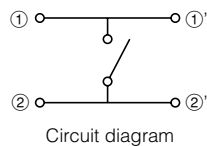
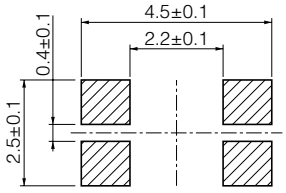
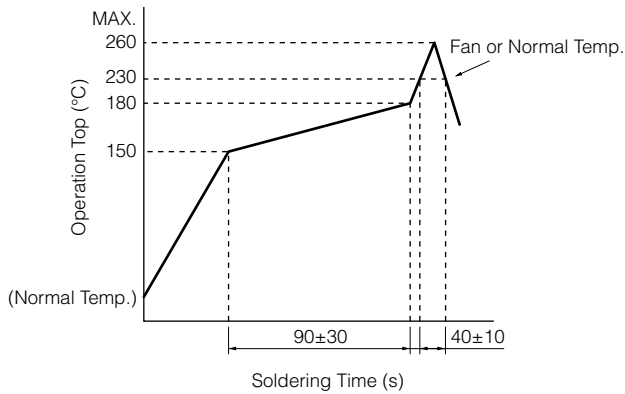


■ Dimensions in mm (not to scale)

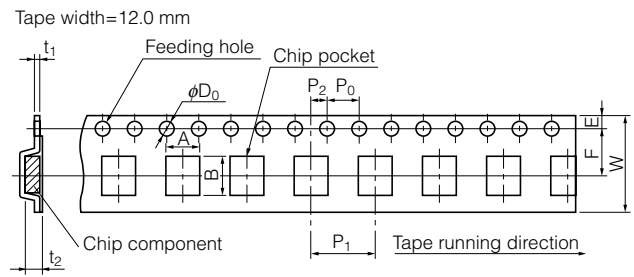
<p>EVPAA (Embossed Taping) Thickness : 1.7 mm With J-bent terminals</p> 	<p>(Tolerance ± 0.2) () dimensions are reference dimensions.</p>      			
Part Numbers	Ground Terminal	Operating Force	Push Plate Color	Operating Life
EVPAA002K	Without	1.0 N	Black	1000000 cycles
EVPAA102K	With	1.0 N	Black	1000000 cycles
EVPAA202K	Without	1.6 N	Black	200000 cycles
EVPAA302K	With	1.6 N	Black	200000 cycles
EVPAA402W	Without	2.4 N	White	200000 cycles
EVPAA502W	With	2.4 N	White	200000 cycles
EVPAA602W	Without	3.5 N	White	200000 cycles
EVPAA702W	With	3.5 N	White	200000 cycles
EVPAAM02W	Without	3.5 N	White	500000 cycles
EVPAAQ02W	With	3.5 N	White	500000 cycles
EVPAA802Q	Without	5.0 N	Gray	100000 cycles
EVPAA902Q	With	5.0 N	Gray	100000 cycles
EVPAAN02Q	Without	5.0 N	Gray	100000 cycles (High load : 10N)
EVPAAR02Q	With	5.0 N	Gray	100000 cycles (High load : 10N)

Design and specifications are each subject to change without notice. Ask factory for the current technical specifications before purchase and/or use.
Should a safety concern arise regarding this product, please be sure to contact us immediately.

■ Recommended Reflow Soldering Conditions



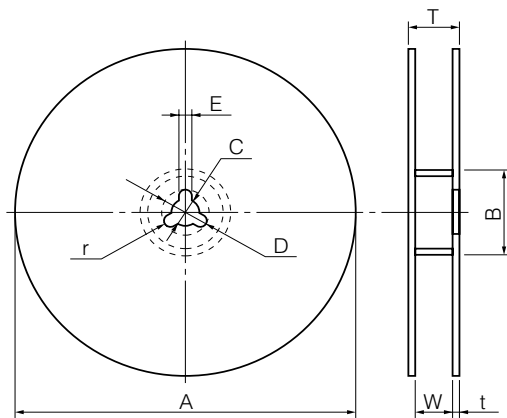
● Embossed Carrier Taping



Unit: mm

Part No.	Height	A	B	W	F	E	P ₁	P ₂	P ₀	D ₀ Dia	t ₁	t ₂
EVPAA	1.7	4.5±0.2	3.8±0.2	12.0±0.3	5.5±0.1	1.75±0.10	8.0±0.1	2.0±0.1	4.0±0.1	1.5 ^{+0.1}	0.3±0.1	1.85±0.20

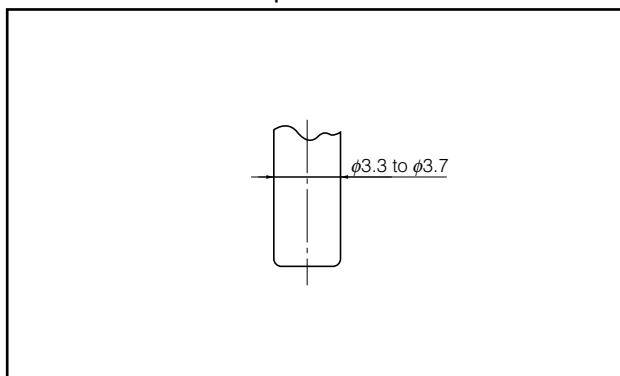
● Standard Reel Dimensions in mm (not to scale)



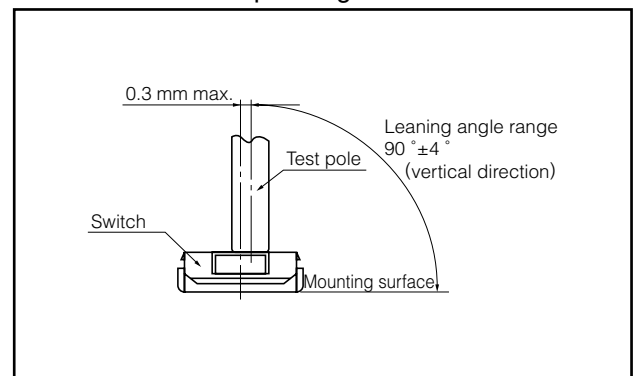
Item	A	B	C	D	E
Rate (mm)	φ380.0±2.0	φ80.0±1.0	φ13.0±0.5	φ21.0±1.0	2.0±0.5

Item	W	T	t	r
Rate (mm)	13.5±1.0	17.5±1.0	—	—

■ Recommended Shape of Test Pole



■ Recommended Operating Conditions



Mouser Electronics

Authorized Distributor

Click to View Pricing, Inventory, Delivery & Lifecycle Information:

Panasonic:

[EVP-AA102K](#) [EVP-AA302K](#) [EVP-AA502W](#) [EVP-AA702W](#) [EVP-AA902Q](#) [EVP-AA402W](#) [EVP-AA602W](#) [EVP-AA802Q](#) [EVP-AAM02W](#) [EVP-AAN02Q](#) [EVP-AAQ02W](#) [EVP-AAR02Q](#)