

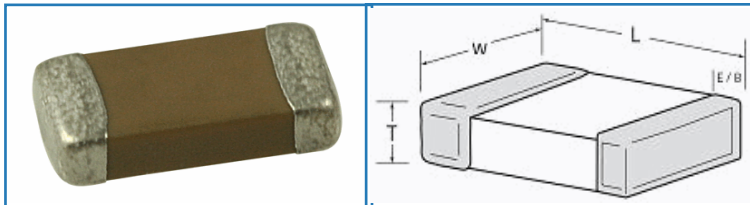
DATASHEET

C1210X5R100-107MNE

GENERAL PURPOSE CERAMIC CAPACITORS (C SERIES)
1210, X5R, 10V, 100uF, ±20%, 100% matte Tin(Sn) over Nickel



VENKEL LTD.



SIZE SPECIFICATIONS units: inches

Length:	0.126
Width:	0.098
T(max):	0.125
Min E/B:	.020 ± .01
Size(EIA):	1210

COMPONENT SPECIFICATIONS

Category:	Ceramic Capacitors
Series:	General Purpose (C Series)
Size:	1210
Dielectric:	X5R
Voltage:	10V
Capacitance:	100uF
Tolerance:	±20%
Termination:	100% matte Tin(Sn) over Nickel
Packaging:	E
Quantity per Reel:	1,000

DIELECTRIC SPECIFICATIONS

Temperature Coefficient:	0 ±15%Δ°C MAX
Temperature Voltage Coefficient	X5R not applicable
Ageing:	2.5% per decade hour, typical
Withstanding Voltage:	2.5 times VDCW
Operating Temp:	-55°C to +85°C
Dissipation Factor:	See C Series Datasheet

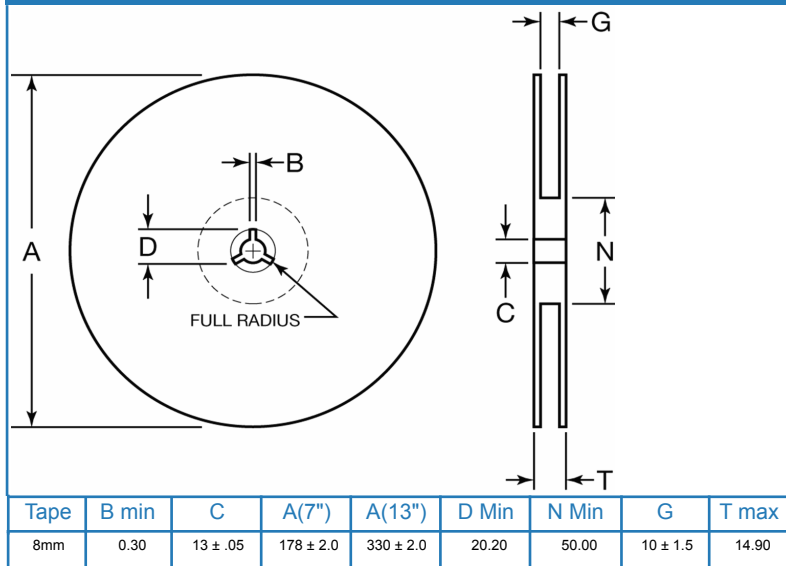
ENVIRONMENTAL INFORMATION

RoHS Status	6 of 6 Compliant
REACH Status	Compliant
Halogen Status	Halogen Free
Conflict Mineral Status	Conflict Mineral Free
Moisture Sensitivity Level	MSL1

REFLOW PROFILE

Max Reflow Temperature	260 °C
Number of Reflow Cycles	2
Time at Max Reflow Temp.	10 sec

REEL DIMENSIONS units: mm



TAPING SPECIFICATIONS units: mm

