

MATERIALS AND FINISHES:

BODY ZINC ALLOY
SEE TABLE

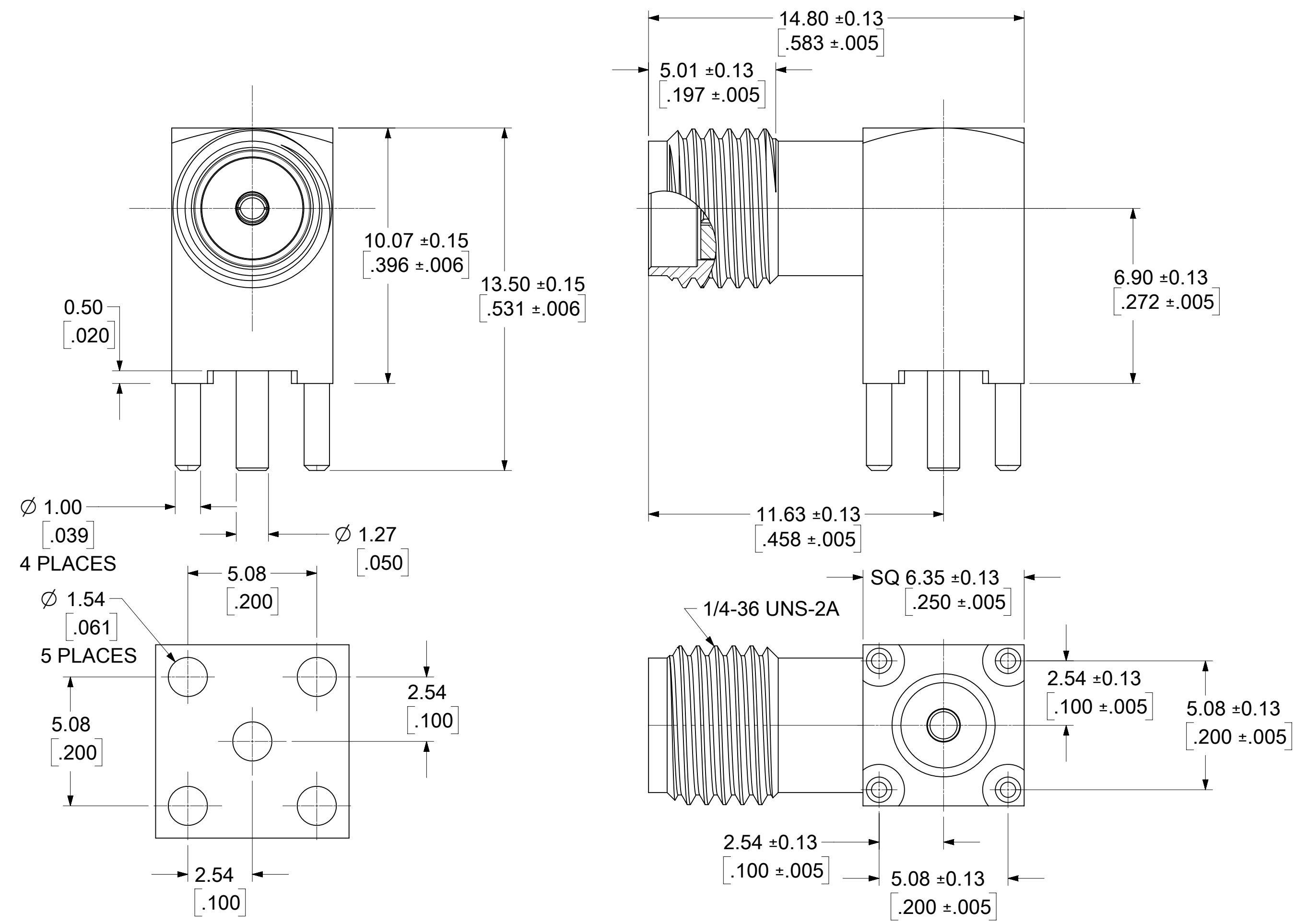
INSULATOR TEFLON

CONTACT (MATING END) BERYLLIUM COPPER
PLATED GOLD

CONTACT (PCB END) BRASS
PLATED GOLD

COVER BRASS
SEE TABLE

PACKAGING SEE TABLE



73391-0085	BODY, PIN AND COVER PLATED GOLD 1u" MIN	73391-0083 BAG (500 SET.)
73391-0084	BODY AND COVER PLATED NICKEL	73391-0080 BAG (500 SET.)
73391-0083	BODY, PIN AND COVER PLATED GOLD 1u" MIN	73391-0083 TRAY (80 CAV.)
73391-0082	BODY AND COVER PLATED NICKEL	73391-0080 TRAY (20 CAV.)
73391-0081	BODY, PIN AND COVER PLATED GOLD 10u" MIN	73391-0081 TRAY (80 CAV.)
73391-0080	BODY AND COVER PLATED NICKEL	73391-0080 TRAY (80 CAV.)
PART NO.	DESCRIPTION	PACKAGING

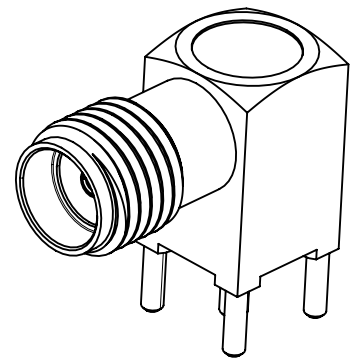
PS-89675-346	PRODUCT SPECIFICATION
MIL-STD-348A, FIG. 310.2	INTERFACE
SPECIFICATION	DESCRIPTION

FUNCTIONAL SYMBOLS	THIS DRAWING CONTAINS INFORMATION THAT IS PROPRIETARY TO MOLEX ELECTRONIC TECHNOLOGIES, LLC AND SHOULD NOT BE USED WITHOUT WRITTEN PERMISSION		
MM/INCH	SCALE	CURRENT REV DESC: CHG PS TO PS-89675-346 PER EWR15816-A	
NTS			
GENERAL TOLERANCES (UNLESS SPECIFIED)	EC NO: 748205		
ANGULAR TOL ± 2.0°	DRWN: CWEI02 2023/04/25		
4 PLACES ±	CHK'D: YCHENG 2023/05/22		
3 PLACES ±	APPR: YCHENG 2023/05/22		
2 PLACES ±	INITIAL REVISION:		
1 PLACE ±	DRWN: RFC_PLMIMP 2018/01/09		
0 PLACES ±	APPR: MHUANG 2006/08/29		
DRAFT WHERE APPLICABLE MUST REMAIN WITHIN DIMENSIONS	THIRD ANGLE PROJECTION	DRAWING	SERIES
		C-SIZE	73391
DOCUMENT NUMBER		DOC TYPE	DOC PART
SD-73391-008		PSD	001
MATERIAL NUMBER		CUSTOMER	REVISION
SEE TABLE		GENERAL MARKET	A10
DOCUMENT NUMBER		SHEET NUMBER	
SD-73391-008		1 OF 4	

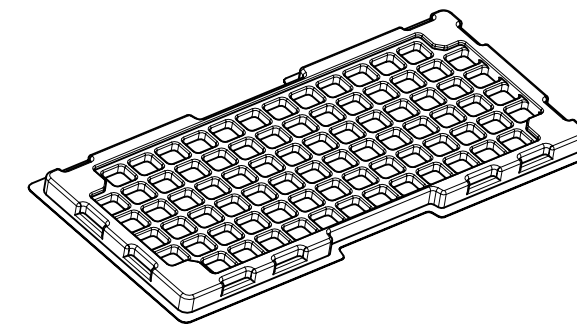
molex

SMA JACK R/A
PCB TH 50 OHMS SMA-J/PCB

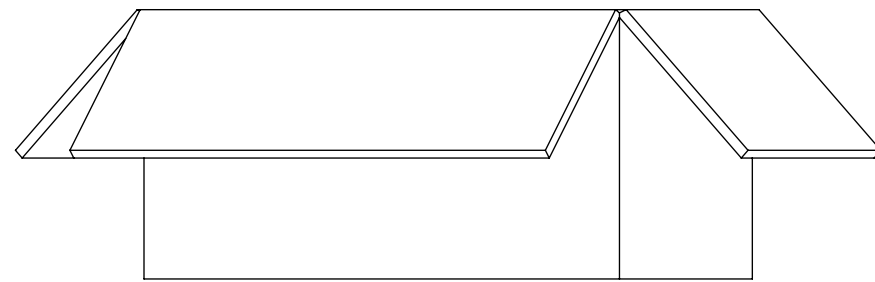
PRODUCT CUSTOMER DRAWING



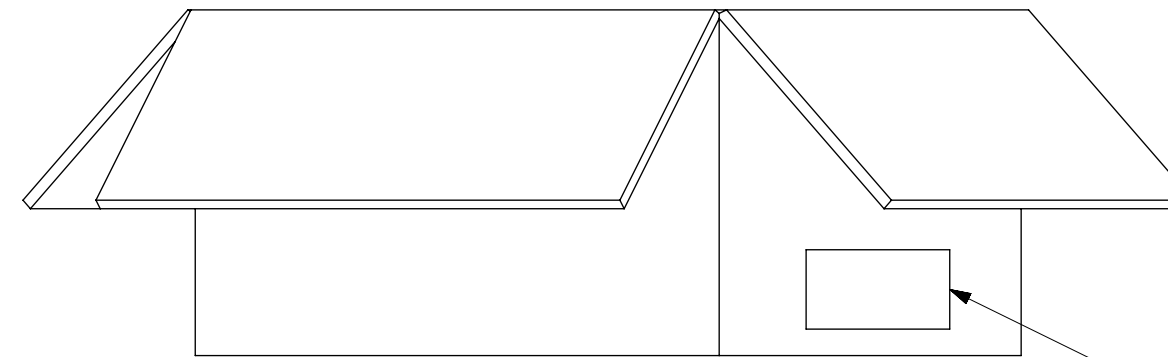
P/N 73391-0080
73391-0081
73391-0083



80 SETS PER TRAY
TRAY P/N 89707-0190
(L361mm X W167 mm)



1760 SETS PER INNER CARTON BOX
P/N 96707-0001
MAXIMUM OUTSIDE DIMENSION
(L370.94mm X W183.94mm X D191.87mm)





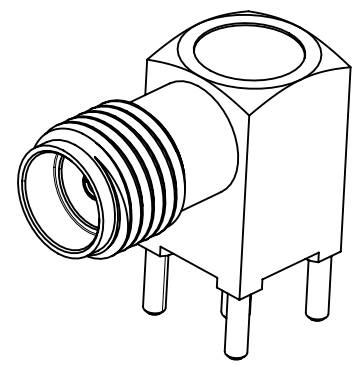
3520 SETS PER OUTER CARTON BOX
P/N 96708-0005
MAXIMUM OUTSIDE DIMENSION
(L393.94mm X W390.92mm X D211.89mm)

LABEL
(SEE DETAIL A)

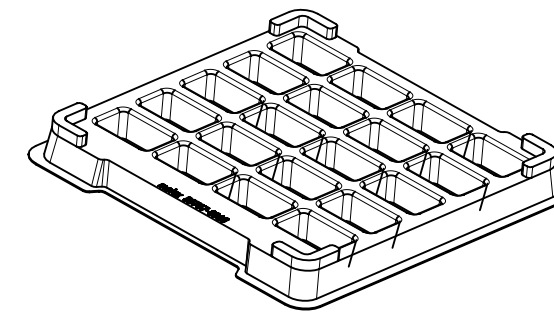
1	PART NO
2	DESCRIPTION
3	QUANTITY
4	COUNTRY OF ORIGIN
5	INV CTRL DATE
6	LOT NUMBER
7	ENVIRONMENT INFORMATION
8	DATE CODE

1	(1P) PART NUMBER 0733910083	(9D) DATE CODE 2047	8
2	DESCRIPTION SMA RA JACK, PCB		
3	(Q) QUANTITY 3520		
4	(4L) MADE IN Taiwan		
5	(12D) INV CTRL DATE 2020/11/16		
6	(1T) TRACEABILITY 000846200927	RoHS Compliant with Exemption REACH SVHC information - see www.molex.com Low-Halogen	
7	1 of 1 OPERATOR: 20.11.16		
MOLEX TAIWAN LTD. / DANSHUI, NEW TAIPEI CITY, TAIWAN 25144			

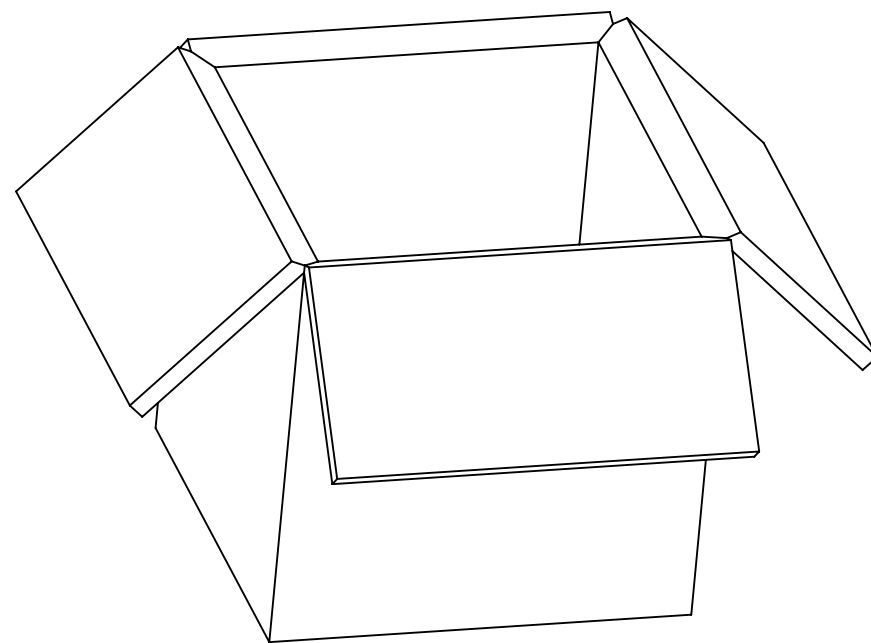
FUNCTIONAL SYMBOLS $\frac{F}{A} = 0$ $\frac{E}{C} = 0$ $\frac{E}{P} = 0$	THIS DRAWING CONTAINS INFORMATION THAT IS PROPRIETARY TO MOLEX ELECTRONIC TECHNOLOGIES, LLC AND SHOULD NOT BE USED WITHOUT WRITTEN PERMISSION DIMENSION UNITS: MM/INCH SCALE: NTS CURRENT REV DESC: CHG PS TO PS-89675-346 PER EWR15816-A	 SMA JACK R/A PCB TH 50 OHMS SMA-J/PCB			
	GENERAL TOLERANCES (UNLESS SPECIFIED) ANGULAR TOL $\pm 2.0^\circ$ 4 PLACES \pm 3 PLACES \pm 2 PLACES \pm 1 PLACE \pm 0 PLACES \pm			EC NO: 748205 DRWN: CWEI02 2023/04/25 CHK'D: YCHENG 2023/05/22 APPR: YCHENG 2023/05/22	
DIVISIONAL SYMBOLS 3 PLACES \pm 2 PLACES \pm 1 PLACE \pm 0 PLACES \pm	INITIAL REVISION: DRWN: RFC_PLMIMP 2018/01/09 APPR: MHUANG 2006/08/29	DOCUMENT NUMBER SD-73391-008	DOC TYPE PSD	DOC PART 001	REVISION A10
DRAFT WHERE APPLICABLE MUST REMAIN WITHIN DIMENSIONS	THIRD ANGLE PROJECTION 	DRAWING C-SIZE	SERIES 73391	MATERIAL NUMBER CUSTOMER GENERAL MARKET	SHEET NUMBER 2 OF 4



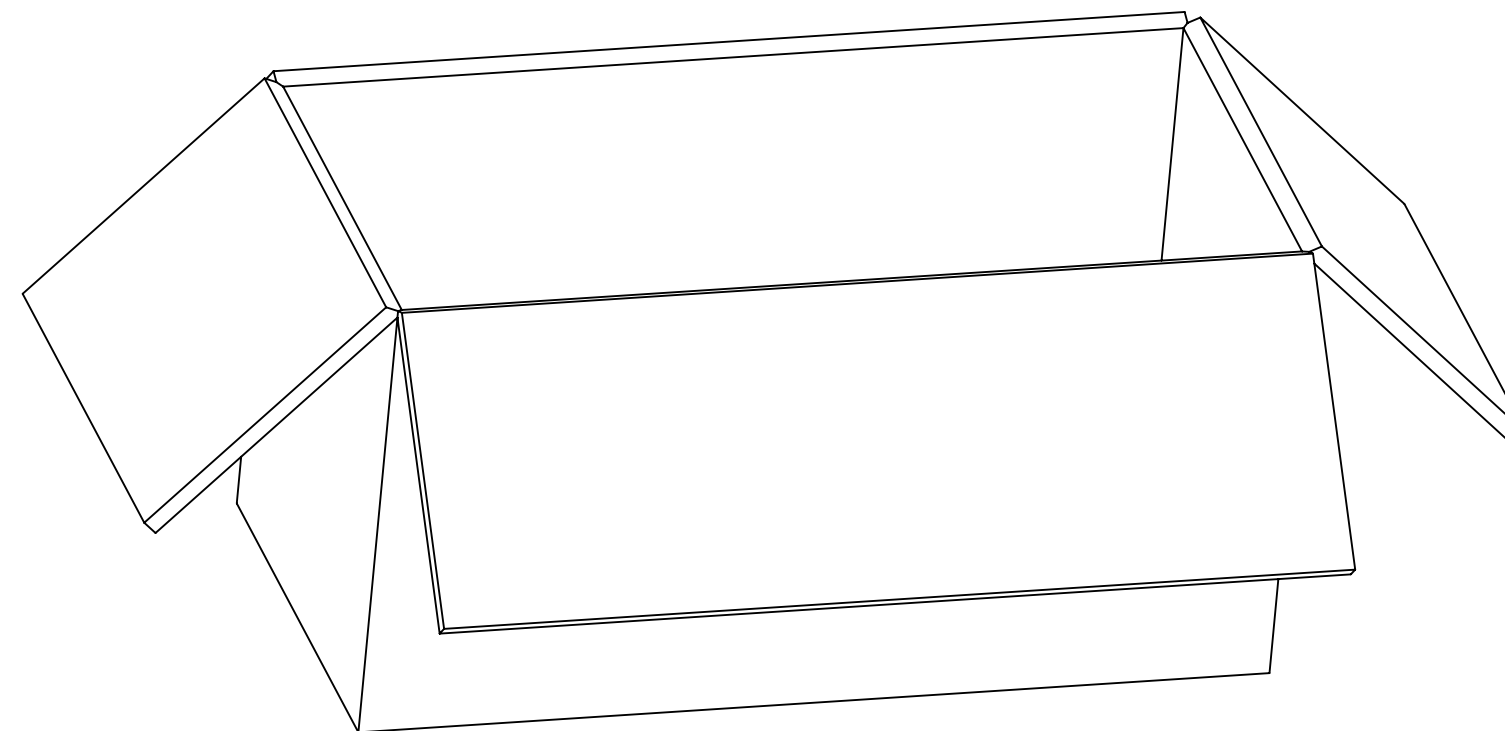
PART NO: 73391-0082



20 SETS PER TRAY
P/N: 89707-0308



200 SETS PER INNER
CARTON BOX
P/N: 96707-0005



400 SETS PER OUTER
CARTON BOX
P/N: 96707-0002

FUNCTIONAL SYMBOLS										THIS DRAWING CONTAINS INFORMATION THAT IS PROPRIETARY TO MOLEX ELECTRONIC TECHNOLOGIES, LLC AND SHOULD NOT BE USED WITHOUT WRITTEN PERMISSION									
DIMENSION UNITS		SCALE		CURRENT REV DESC: CHG PS TO PS-89675-346 PER EWR15816-A															
MM/INCH		NTS		<p>EC NO: 748205 DRWN: CWEI02 2023/04/25 CHK'D: YCHENG 2023/05/22 APPR: YCHENG 2023/05/22</p> <p>INITIAL REVISION: DRWN: RFC_PLMIMP 2018/01/09 APPR: MHUANG 2006/08/29</p>															
GENERAL TOLERANCES (UNLESS SPECIFIED)																			
ANGULAR TOL ± 2.0°																			
DIVISIONAL SYMBOLS		4 PLACES ±		PRODUCT CUSTOMER DRAWING															
		3 PLACES ±		DOCUMENT NUMBER															
		2 PLACES ±		SD-73391-008															
		1 PLACE ±		DOC TYPE DOC PART REVISION															
		0 PLACES ±		PSD 001 A10															
DRAFT WHERE APPLICABLE MUST REMAIN WITHIN DIMENSIONS				THIRD ANGLE PROJECTION		DRAWING		SERIES		MATERIAL NUMBER		CUSTOMER		SHEET NUMBER					
						C-SIZE		73391		GENERAL MARKET		3 OF 4							

molex

SMA JACK R/A
PCB TH 50 OHMS SMA-J/PCB

PRODUCT CUSTOMER DRAWING

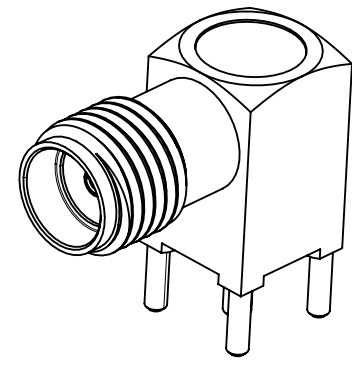
SD-73391-008

PSD 001 A10

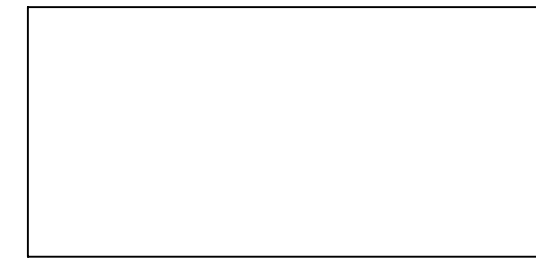
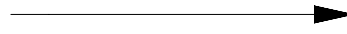
GENERAL MARKET

3 OF 4

DOCUMENT STATUS	P1	RELEASE DATE	2023/05/22	01:28:12
-----------------	----	--------------	------------	----------



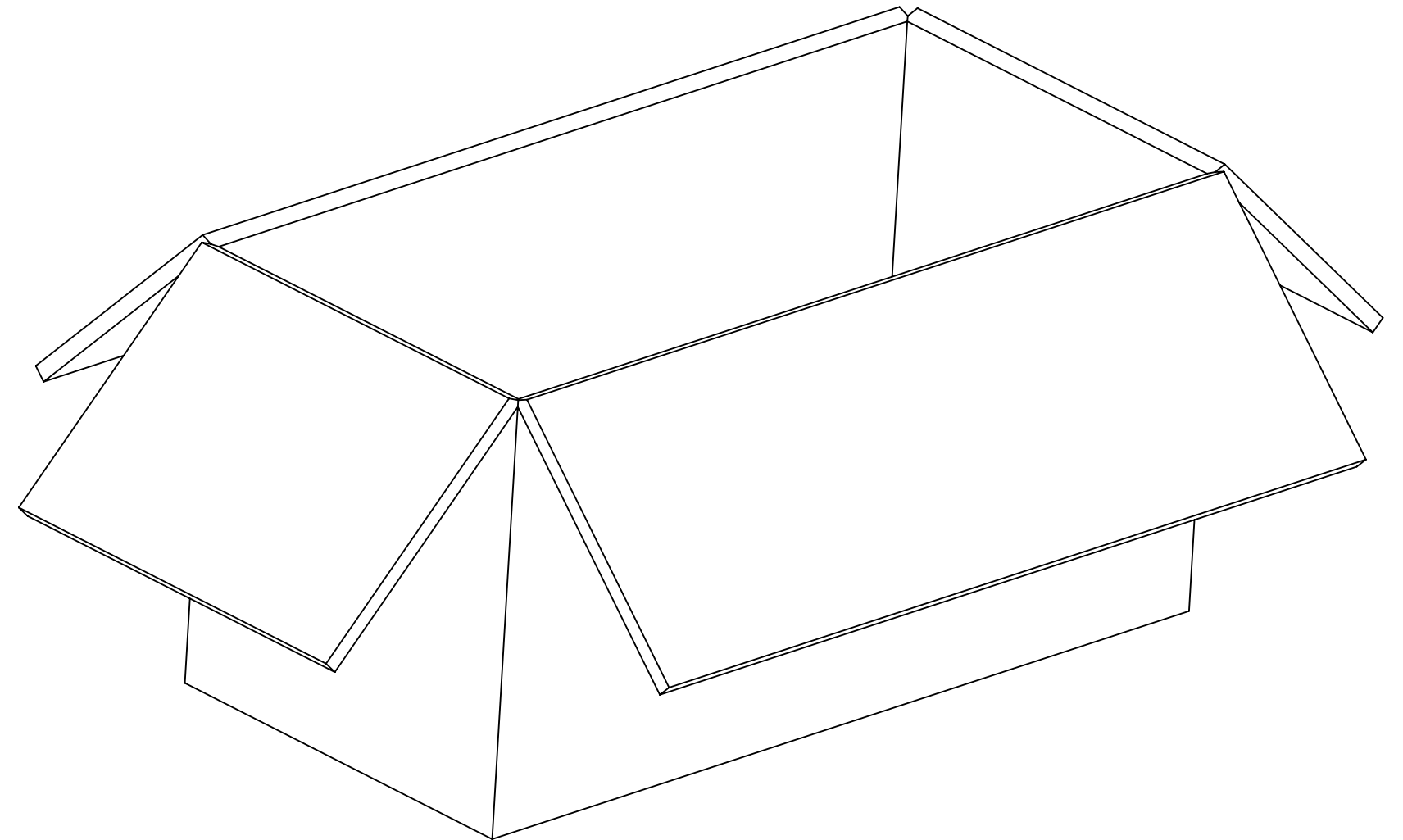
PART NO: 73391-0084 & 73391-0085



1 SET PER POLYBAG
P/N: 89707-0317



50 SET PER POLYBAG
P/N: 89707-0176



500 SET PER OUTER CARTON BOX
P/N: 96707-0002

LABEL WITH EACH BAG
FOR 73391-0084

MOLEX P/N: 73391-0084
DATE: YYWW

LABEL WITH EACH BAG
FOR 73391-0085

MOLEX P/N: 73391-0085
DATE: YYWW

THIS DRAWING CONTAINS INFORMATION THAT IS PROPRIETARY TO MOLEX ELECTRONIC TECHNOLOGIES, LLC AND SHOULD NOT BE USED WITHOUT WRITTEN PERMISSION											
FUNCTIONAL SYMBOLS	DIMENSION UNITS	SCALE	CURRENT REV DESC: CHG PS TO PS-89675-346 PER EWR15816-A								
$\frac{F}{A} = 0$	MM/INCH	NTS	<p>EC NO: 748205 DRWN: CWEI02 2023/04/25 CHK'D: YCHENG 2023/05/22 APPR: YCHENG 2023/05/22</p> <p>INITIAL REVISION: DRWN: RFC_PLMIMP 2018/01/09 APPR: MHUANG 2006/08/29</p>								
$\frac{E}{C} = 0$	GENERAL TOLERANCES (UNLESS SPECIFIED)										
$\frac{E}{P} = 0$	ANGULAR TOL $\pm 2.0^\circ$										
DIVISIONAL SYMBOLS	4 PLACES	\pm	<p>PRODUCT CUSTOMER DRAWING</p> <p>DOCUMENT NUMBER: SD-73391-008 DOC TYPE: PSD DOC PART: 001 REVISION: A10</p> <p>MATERIAL NUMBER: CUSTOMER: GENERAL MARKET SHEET NUMBER: 4 OF 4</p>								
	3 PLACES	\pm									
	2 PLACES	\pm									
	1 PLACE	\pm									
	0 PLACES	\pm	DRAFT WHERE APPLICABLE MUST REMAIN WITHIN DIMENSIONS			THIRD ANGLE PROJECTION		DRAWING		SERIES	
					C-SIZE		73391				

molex

SMA JACK R/A
PCB TH 50 OHMS SMA-J/PCB

PRODUCT CUSTOMER DRAWING

SD-73391-008

PSD 001 A10

GENERAL MARKET

4 OF 4