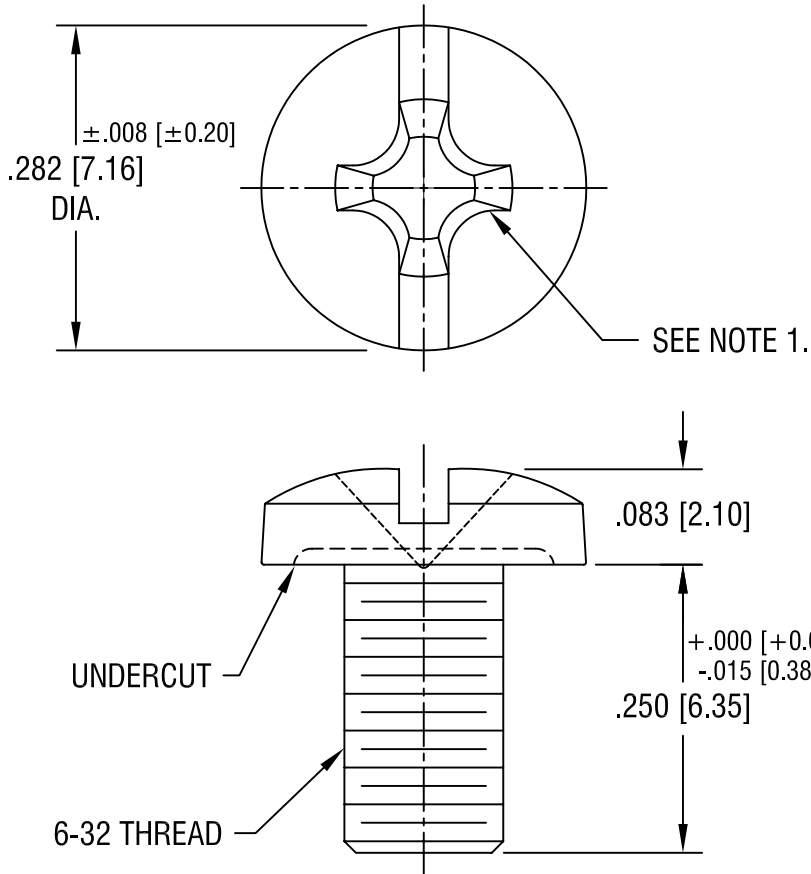


THIS DOCUMENT IS THE PROPERTY OF
KEYSTONE ELECTRONICS CORP. AND
SHALL NOT BE REPRODUCED, DISTRIBUTED
OR USED AS A BASIS FOR MANUFACTURE
WITHOUT PRIOR WRITTEN PERMISSION
FROM KEYSTONE ELECTRONICS CORP.



NOTE:

1. TO ACCEPT STANDARD SLOT
OR PHILLIPS DRIVE.

10.8.03	CHANGE AS PER ECN 03-073	D
8.11.03	CHANGE AS PER ECN 03-055	C
10.4.96	CHANGE AS PER ECR 96-042	B
1.27.94	MAT'L WAS STEEL	A
DATE	DESCRIPTION	REV.

KEYSTONE ELECTRONICS CORP.			
ASTORIA, N.Y. 11105-2017			
PART NAME			
COMBINATION BINDING HEAD SCREW			
MATERIAL			
BRASS			
FINISH		DRN BY	DATE
NICKEL PLATE		BOONE	8.18.93
		APPD	SCALE
		LN	6X
TOLERANCES	INCH [MM]	CODE	DWG NO.
DECIMAL	± .005 [± 0.15]	C	8190-1
ANGULAR	± 1°		
UNLESS OTHERWISE SPECIFIED			

Mouser Electronics

Authorized Distributor

Click to View Pricing, Inventory, Delivery & Lifecycle Information:

[Keystone Electronics:](#)

[8190-1](#)