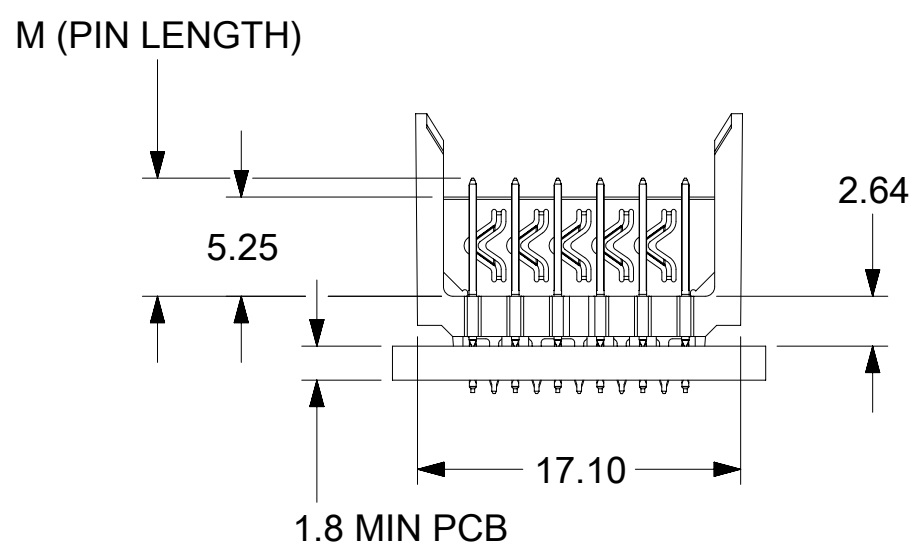
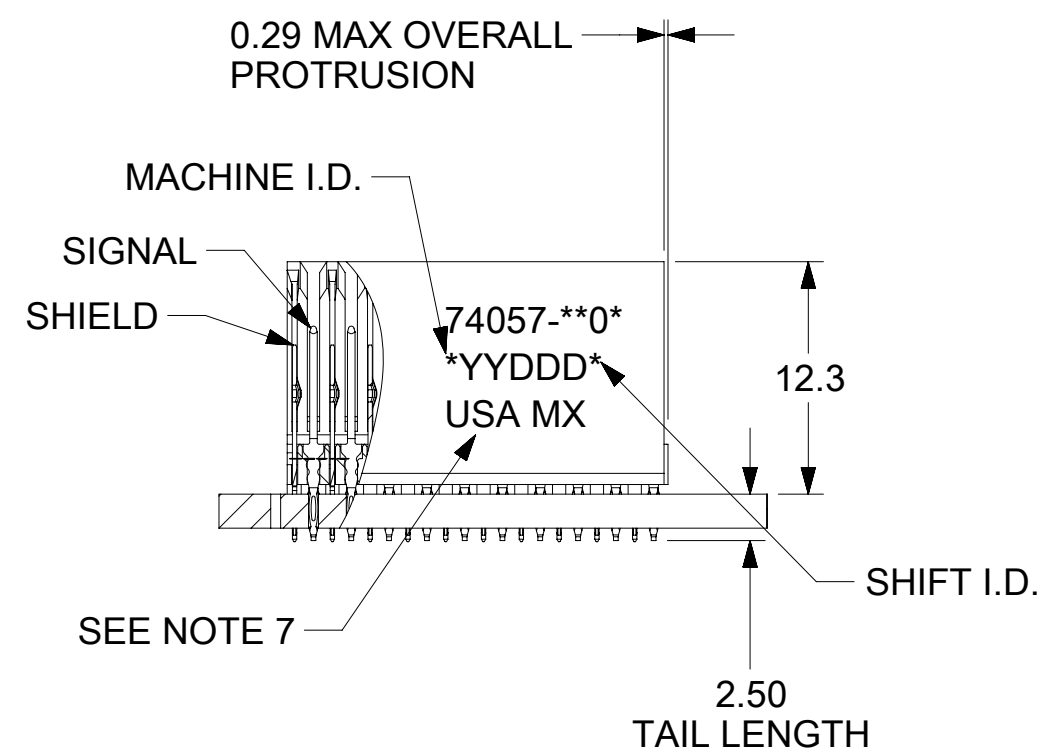
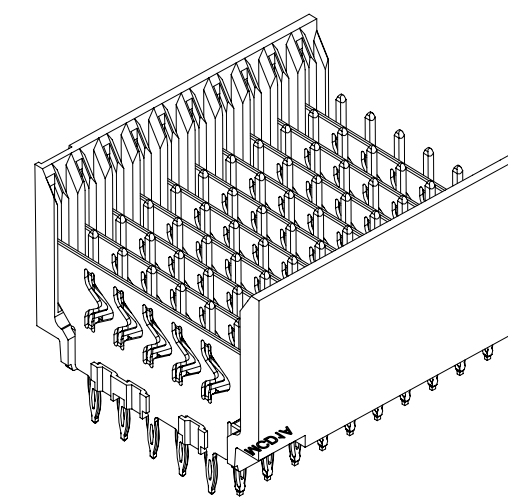


**BLACK PLANE HOLE PATTERN
RECOMMENDED DIMENSIONS**



NOTES:

1. MATERIALS:
HOUSING - LIQUID CRYSTAL POLYMER (LCP),
GLASS-FILLED, UL 94V-0, COLOR: BLACK
SIGNAL PIN & SHIELD - COPPER ALLOY
2. FINISHES:
CONTACT AREA: SELECTIVE GOLD (Au)
PCB TAILS: SELECTIVE MATTE TIN (Sn)
NICKEL (Ni) OVERALL.
3. THIS PART CONFORMS TO MOLEX PRODUCT SPECIFICATION PS-74031-999
4. FOR MIXED CONTACT LENGTHS CONSULT MOLEX FOR AVAILABILITY
5. FOR SPECIFIC MATERIAL NUMBERS & MATING INFORMATION REFER TO SHEET 2
6. PACKAGE PER PK-74057-003
7. EITHER MARK PART WITH PART NUMBER & DATE CODE APPROXIMATELY WHERE SHOWN OR PLACE LABEL ON THE TUBE.
8. MAPS (MOLEX ADVANCED PLATING SYSTEM)

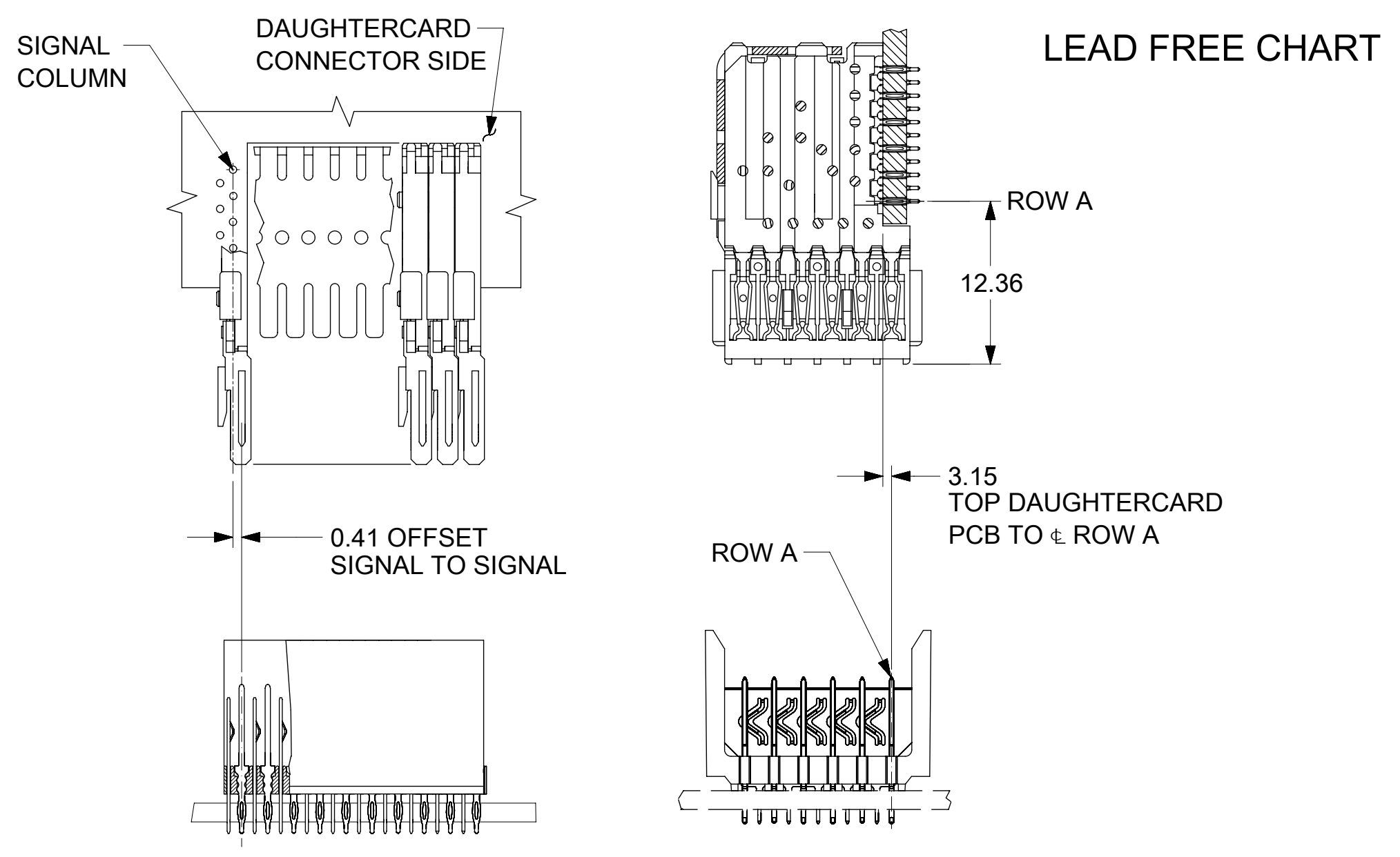
PENDING APPROVAL

THIS DRAWING CONTAINS INFORMATION THAT IS PROPRIETARY TO MOLEX ELECTRONIC TECHNOLOGIES, LLC AND SHOULD NOT BE USED WITHOUT WRITTEN PERMISSION											
DIMENSION UNITS		SCALE		CURRENT REV DESC: SEE REVISION HISTORY ON SHEET 3						molex	
mm		2.5:1									
GENERAL TOLERANCES (UNLESS SPECIFIED)				EC NO: 719836		DRWN: KRISHH1		2022/07/14		VHDM 6 ROW OPEN END BACKPLANE SALES ASSEMBLY	
				CHK'D:		APPR:		PRODUCT CUSTOMER DRAWING			
4 PLACES ±				1 PLACE ± 0.38		INITIAL REVISION:		DOCUMENT NUMBER		DOC TYPE DOC PART REVISION	
3 PLACES ±				0 PLACES ±		DRWN: MWANG		SD-74057-002		PSD 001 N4	
2 PLACES ± 0.25				ANGULAR TOL ± 0.5°		APPR: SMILLER		MATERIAL NUMBER		CUSTOMER	
1 PLACE ±				DRAFT WHERE APPLICABLE MUST REMAIN WITHIN DIMENSIONS		THIRD ANGLE PROJECTION		DRAWING		SHEET NUMBER	
0 PLACES ±						C-SIZE		SERIES		1 OF 3	
DOCUMENT STATUS				RQ		RELEASE DATE		SEE TABLE		GENERAL MARKET	

PART NUMBER	COLUMN	NUMBER OF SIGNAL PIN	NUMBER OF SHIELD	A	B	M	GOLD THICKNESS MICROMETER	TIN THICKNESS MICROMETER			
74057-6001	10	60	10	20.00	18.00	4.75	0.25 MAPS	0.76-1.52			
74057-9001							0.76				
74057-9006							1.27				
74057-6501	15	90	15	30.00	28.00	0.25 MAPS					
74057-9501						0.76					
74057-9506						1.27					
74057-7001	25	150	25	50.00	48.00	0.25 MAPS					
74057-8506						1.27					
74057-6002						10	60		10	20.00	18.00
74057-9002	0.76										
74057-9007	1.27										
74057-6502	15	90	15	30.00	28.00	0.25 MAPS					
74057-9502						0.76					
74057-9507						1.27					
74057-7002	25	150	25	50.00	48.00	0.25 MAPS					
74057-8502						0.76					
74057-8507						1.27					
74057-6003	10	60	10	50.00	48.00	0.25 MAPS					
74057-9003						0.76					
74057-9008						1.27					
74057-6503	15	90	15	30.00	28.00	0.25 MAPS					
74057-9503						0.76					
74057-9508						1.27					
74057-7003	25	150	25	50.00	48.00	0.25 MAPS					
74057-8508						1.27					
74057-9009						10	60	10	20.00	18.00	1.27
74057-6504	15	90	15	30.00	28.00						0.25 MAPS
74057-9504											0.76
74057-9509						1.27					
74057-8504	25	150	25	50.00	48.00	0.76					
74057-8509						1.27					

PART NUMBER	COLUMN	NUMBER OF SIGNAL PIN	NUMBER OF SHIELD	A	B	M	GOLD THICKNESS MICROMETER	TIN THICKNESS MICROMETER
74057-1006	10	60	10	20.00	18.00	4.75	1.27	0.76-1.52
74057-1501	15	90	15	30.00	28.00		0.76	
74057-1506							1.27	
74057-2506	25	150	25	50.00	48.00	1.27		
74057-1002	10	60	10	20.00	18.00	6.25	0.76	
74057-1502	15	90	15	30.00	28.00		0.76	
74057-1507						1.27		
74057-1008	10	60	10	20.00	18.00	4.25	1.27	
74057-1503	15	90	15	30.00	28.00		0.76	
74057-1508							1.27	
74057-2508	25	150	25	50.00	48.00	1.27		
74057-1004	10	60	10	20.00	18.00	5.15	0.76	
74057-1009							1.27	
74057-1504	15	90	15	30.00	28.00		0.76	
74057-1509						1.27		

**LEAD FREE
(FORMERLY TIN/LEAD) CHART**



74057 - **0*

- NUMBER OF COLUMNS/PLATING
- 10 = 10 COLUMN MATTE TIN (FORMERLY TIN/LEAD)
 - 15 = 15 COLUMN MATTE TIN (FORMERLY TIN/LEAD)
 - 25 = 25 COLUMN MATTE TIN (FORMERLY TIN/LEAD)
 - 60 = 10 COLUMN MATTE TIN (MAPS)
 - 65 = 15 COLUMN MATTE TIN (MAPS)
 - 70 = 25 COLUMN MATTE TIN (MAPS)
 - 90 = 10 COLUMN MATTE TIN
 - 95 = 15 COLUMN MATTE TIN
 - 85 = 25 COLUMN MATTE TIN
- PIN HEIGHT
- 1 & 6 = 4.75
 - 2 & 7 = 6.25
 - 3 & 8 = 4.25
 - 4 & 9 = 5.15

PENDING APPROVAL

FUNCTIONAL SYMBOLS	THIS DRAWING CONTAINS INFORMATION THAT IS PROPRIETARY TO MOLEX ELECTRONIC TECHNOLOGIES, LLC AND SHOULD NOT BE USED WITHOUT WRITTEN PERMISSION			
	DIMENSION UNITS	SCALE	CURRENT REV DESC: SEE REVISION HISTORY ON SHEET 3	
$F_A = 0$	mm	2.5:1		
$F_C = 0$	GENERAL TOLERANCES (UNLESS SPECIFIED)			
$F_P = 0$		MM	INCH	
DIVISIONAL SYMBOLS	4 PLACES	±	±	
	3 PLACES	±	±	
	2 PLACES	± 0.25	±	
	1 PLACE	± 0.38	±	
	0 PLACES	±	±	
	ANGULAR TOL	± 0.5°		
DRAFT WHERE APPLICABLE MUST REMAIN WITHIN DIMENSIONS		THIRD ANGLE PROJECTION		DRAWING SERIES
		C-SIZE		74057
DOCUMENT STATUS		RELEASE DATE		
RQ				

EC NO: 719836
DRWN: KRISHH1
CHK'D:
APPR:

INITIAL REVISION:
DRWN: MWANG
APPR: SMILLER

2022/07/14
1998/11/09
2012/05/23

molex

VHDM 6 ROW
OPEN END BACKPLANE SALES ASSEMBLY

PRODUCT CUSTOMER DRAWING

DOCUMENT NUMBER: SD-74057-002
DOC TYPE: PSD
DOC PART: 001
REVISION: N4

MATERIAL NUMBER: SEE TABLE
CUSTOMER: GENERAL MARKET
SHEET NUMBER: 2 OF 3

H
G
F
E
D
C
B
A

DATE	REV	DESCRIPTION
2022/06/22	N3	DRAWING MIGRATED TO NEW SHEET FORMAT REMOVED OBSOLETE PART NUMBER AS PER PCN#509989
2022/07/14	N4	DRAWING MIGRATION AS MODEL IN THE DRAWING VIEW IS UPDATED

PENDING APPROVAL

FUNCTIONAL SYMBOLS = 0 = 0 = 0 DIVISIONAL SYMBOLS	THIS DRAWING CONTAINS INFORMATION THAT IS PROPRIETARY TO MOLEX ELECTRONIC TECHNOLOGIES, LLC AND SHOULD NOT BE USED WITHOUT WRITTEN PERMISSION											
	DIMENSION UNITS		SCALE		CURRENT REV DESC: SEE REVISION HISTORY ON SHEET 3							
	mm		1:1									
	GENERAL TOLERANCES (UNLESS SPECIFIED)										EC NO: 719836 DRWN: KRISHH1 CHK'D: APPR: 2022/07/14	
			MM	INCH								
	4 PLACES		±	±								
	3 PLACES		±	±								
	2 PLACES		± 0.25	±								
	1 PLACE		± 0.38	±	INITIAL REVISION:							
	0 PLACES		±	±	DRWN: DRAWN BY		0099/99/99		SD-74057-002		PSD	001
ANGULAR TOL		± 0.5 °		APPR: APPR BY		0099/99/99						
DRAFT WHERE APPLICABLE MUST REMAIN WITHIN DIMENSIONS				THIRD ANGLE PROJECTION		DRAWING	SERIES	MATERIAL NUMBER	CUSTOMER	SHEET NUMBER		
						C-SIZE	74057	SEE TABLE	GENERAL MARKET	3 OF 3		

DOCUMENT STATUS	RQ	RELEASE DATE	
12		11	