



## Product Features:

- 10/100 Ethernet RJ45
- IEEE802.3u Compliant
- 30µ" Gold Plating (min) on Contacts
- 350µH min OCL at 8mA DC Bias Across the Full Temp Range
- 100% Electrical Testing
- 1500Vrms Hi-Pot
- Proprietary Robust Contact Design

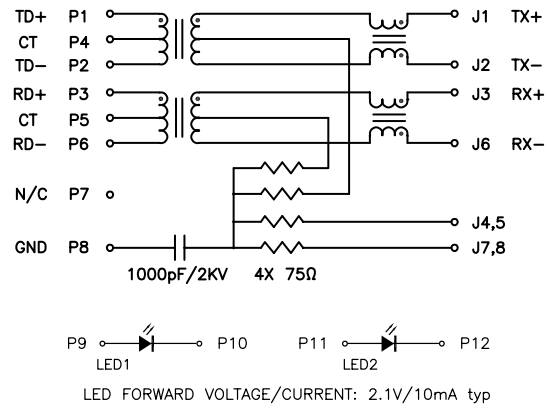
| Part Number                  |                               | Footprint  | LED's (L/R) | Return Loss (min) |         |         |          | Insertion Loss (typ) |
|------------------------------|-------------------------------|--|-------------|-------------------|---------|---------|----------|----------------------|
| Standard Temp (0 to 70°C)    | Extended Temp (-40 to +85°C)  |  |             | 1-30MHz           | 40MHz   | 50MHz   | 60-80MHz |                      |
| HFJ11-2450HRL                | HFJ11-E2450HRL                | A  | None        | -18dB             | -15.5dB | -13.6dB | -12dB    | -1.1dB               |
| HFJ11-2450ERL <sup>1</sup>   | HFJ11-E2450ERL <sup>1</sup>   | B  | None        | -18dB             | -15.5dB | -13.6dB | -12dB    | -1.1dB               |
| HFJ11-2450E-L11RL            | HFJ11-E2450E-L11RL            | C  | G/G         | -18dB             | -15.5dB | -13.6dB | -12dB    | -1.1dB               |
| HFJ11-2450E-L12RL            | HFJ11-E2450E-L12RL            | C  | G/Y         | -18dB             | -15.5dB | -13.6dB | -12dB    | -1.1dB               |
| HFJ11-2450E-L15RL            | HFJ11-E2450E-L15RL            | C  | G/G(Y)      | -18dB             | -15.5dB | -13.6dB | -12dB    | -1.1dB               |
| HFJ11-2450E-L17RL            | HFJ11-E2450E-L17RL            | C  | G/G(O)      | -18dB             | -15.5dB | -13.6dB | -12dB    | -1.1dB               |
| HFJ11-2450E-L21RL            | HFJ11-E2450E-L21RL            | C  | Y/G         | -18dB             | -15.5dB | -13.6dB | -12dB    | -1.1dB               |
| HFJ11-2450E-L55RL            | HFJ11-E2450E-L55RL            | C  | G(Y)/G(Y)   | -18dB             | -15.5dB | -13.6dB | -12dB    | -1.1dB               |
| HFJ11-2450E-L56RL            | HFJ11-E2450E-L56RL            | C  | G(Y)/Y(G)   | -18dB             | -15.5dB | -13.6dB | -12dB    | -1.1dB               |
| HFJ11-2450E-L77RL            | HFJ11-E2450E-L77RL            | C  | G(O)/G(O)   | -18dB             | -15.5dB | -13.6dB | -12dB    | -1.1dB               |
| HFJ11-2450E-L78RL            | HFJ11-E2450E-L78RL            | C  | G(O)/O(G)   | -18dB             | -15.5dB | -13.6dB | -12dB    | -1.1dB               |
| HFJ11-245HGRRRL              | HFJ11-E245HGRRRL              | GR-1089 Intra-Building Lightning Protection          |             |                   |         |         |          |                      |
| HFJ11-245HGRPRL              | HFJ11-E245HGRPRL              | GR-1089 Intra-Building Enhanced Lightning Protection |             |                   |         |         |          |                      |
| HFJ11-2450GRRL <sup>1</sup>  | HFJ11-E2450GRRL <sup>1</sup>  | GR-1089 Intra-Building Lightning Protection          |             |                   |         |         |          |                      |
| HFJ11-2450GRPRL <sup>1</sup> | HFJ11-E2450GRPRL <sup>1</sup> | GR-1089 Intra-Building Enhanced Lightning Protection |             |                   |         |         |          |                      |

## Notes:

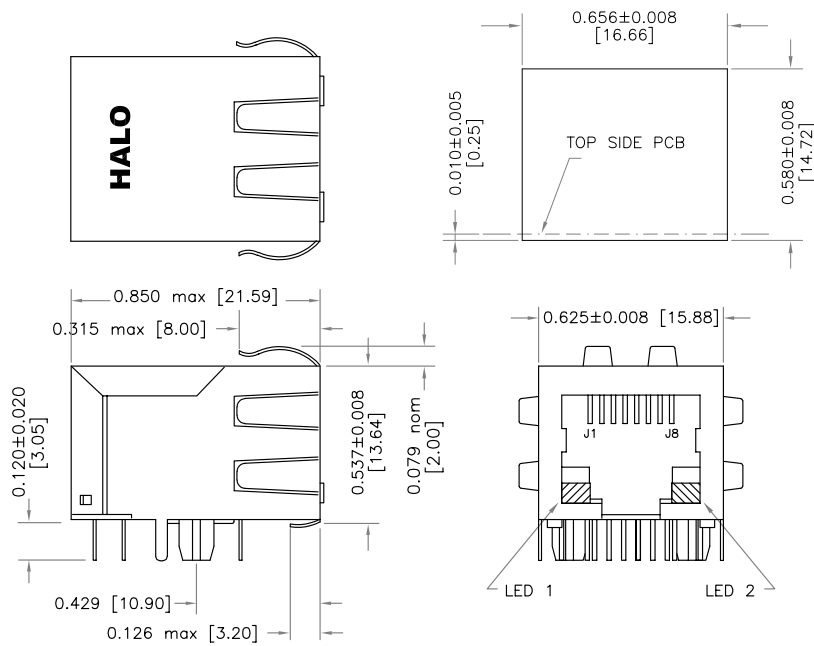
1. Not recommended for new designs.
2. LED Key : G = Green, Y = Yellow, O = Orange, ( ) = Bi-Color
3. Other LED colors, bi-colors, polarities, and current limiting versions available.
4. Unshielded or shielded without ground tabs available.
5. Part specific datasheets available.
6. Contact the factory for more information regarding GR-1089 lightning FastJacks.

# HALO 10/100BASE-TX Ethernet Family of FastJacks

## Circuit

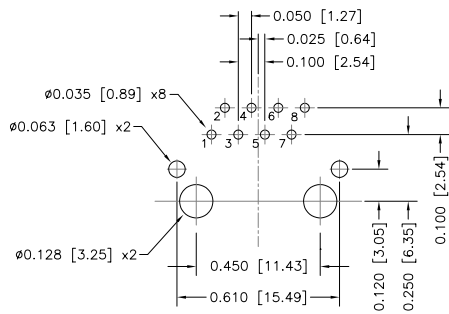


## Mechanical

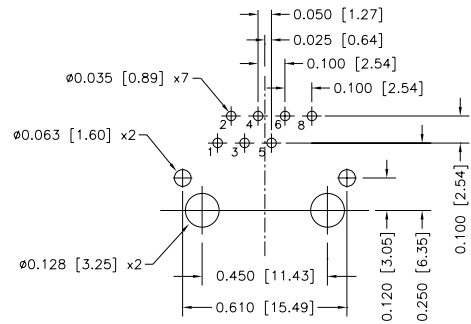


Dimensions are in inches [mm]

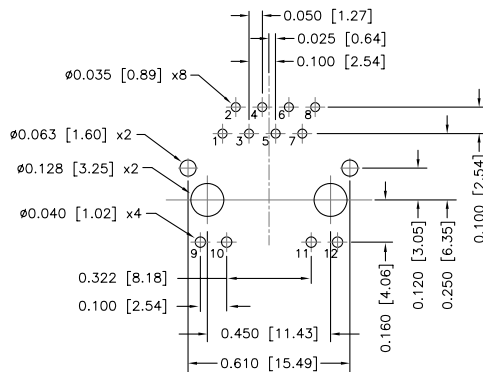
Footprint A



Footprint B



Footprint C



Recommended PCB Layout  
(Component Side)

Dimensions are in inches [mm]



2880 Lakeside Drive #116  
Santa Clara, CA 95054  
(650) 903-3800  
[www.haloelectronics.com](http://www.haloelectronics.com)

HALO® Electronics is a leading supplier of high quality communication magnetics including signal transformers, filters, CMR chokes, PoE power transformers, DC/DC converters, and integrated Ethernet connectors. HALO's leading edge technology solutions are manufactured in ISO9001 and ISO14001 factories offering high quality products at a competitive price.

# Mouser Electronics

Authorized Distributor

Click to View Pricing, Inventory, Delivery & Lifecycle Information:

## HALO Electronics:

[HFJ11-2450E-L12RL](#) [HFJ11-E2450E-L12RL](#) [HFJ11-E2450ERL](#) [HFJ11-E2450E-L11RL](#) [HFJ11-2450E-L11RL](#)  
[HFJ11-2450ERL](#) [HFJ11-2450E-L56RL](#) [HFJ11-E2450E-L78RL](#) [HFJ11-2450E-L55RL](#) [HFJ11-E2450E-L56RL](#) [HFJ11-](#)  
[E2450E-L17RL](#) [HFJ11-2450E-L15RL](#) [HFJ11-E2450E-L21RL](#) [HFJ11-2450E-L78RL](#) [HFJ11-2450E-L21RL](#) [HFJ11-](#)  
[E2450E-L55RL](#) [HFJ11-E2450E-L77RL](#) [HFJ11-2450E-L17RL](#) [HFJ11-2450E-L77RL](#) [HFJ11-E2450E-L15RL](#) [HFJ11-](#)  
[2450E-LS12RL](#) [HFJ11-E2450GRPRL](#)