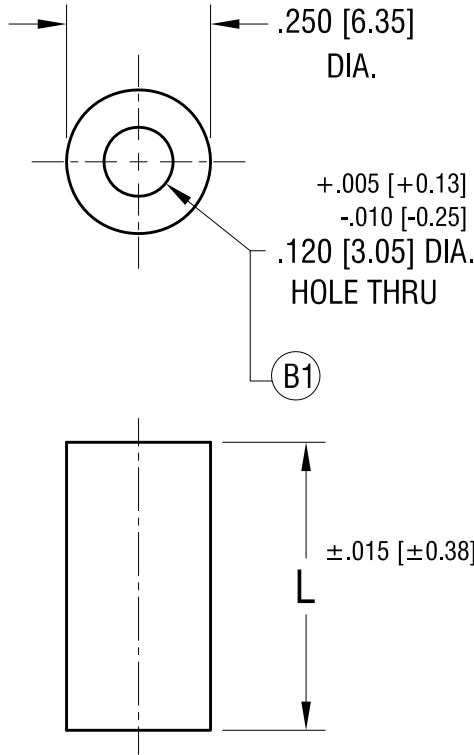


THIS DOCUMENT IS THE PROPERTY OF
KEYSTONE ELECTRONICS CORP. AND
SHALL NOT BE REPRODUCED, DISTRIBUTED
OR USED AS A BASIS FOR MANUFACTURE
WITHOUT PRIOR WRITTEN PERMISSION
FROM KEYSTONE ELECTRONICS CORP.



PART NO.	'L' DIM.
875	.125 [3.18]
876	.250 [6.35]
877	.375 [9.52]
878	.500 [12.70]
879	.625 [15.88]
880	.750 [19.05]
881	.875 [22.23]
882	1.000 [25.4]

DATE	DESCRIPTION	REV.
10.26.15	(B1) WAS .120+.010/- .005 CHANGE AS PER ECN15-127	B
5.21.04	CHANGE AS PER ECN 04-039	A

KEYSTONE ELECTRONICS CORP.			
www.keyelco.com • ASTORIA, N.Y. 11105-2017 • Tel (718) 956-8900			
PART NAME NYLON THRU-HOLE SPACER			
MATERIAL NYLON 6/6			
FINISH -		DRN BY BOONE	DATE 2.10.98
		APP'D LN	SCALE 3X
TOLERANCES DECIMAL ANGULAR ± 1° UNLESS OTHERWISE SPECIFIED	INCH [MM] ± .005 [± 0.13]	CODE C	DWG NO. 875-882

Mouser Electronics

Authorized Distributor

Click to View Pricing, Inventory, Delivery & Lifecycle Information:

[Keystone Electronics:](#)

[875](#) [876](#) [877](#) [878](#) [882](#) [879](#) [880](#) [881](#)