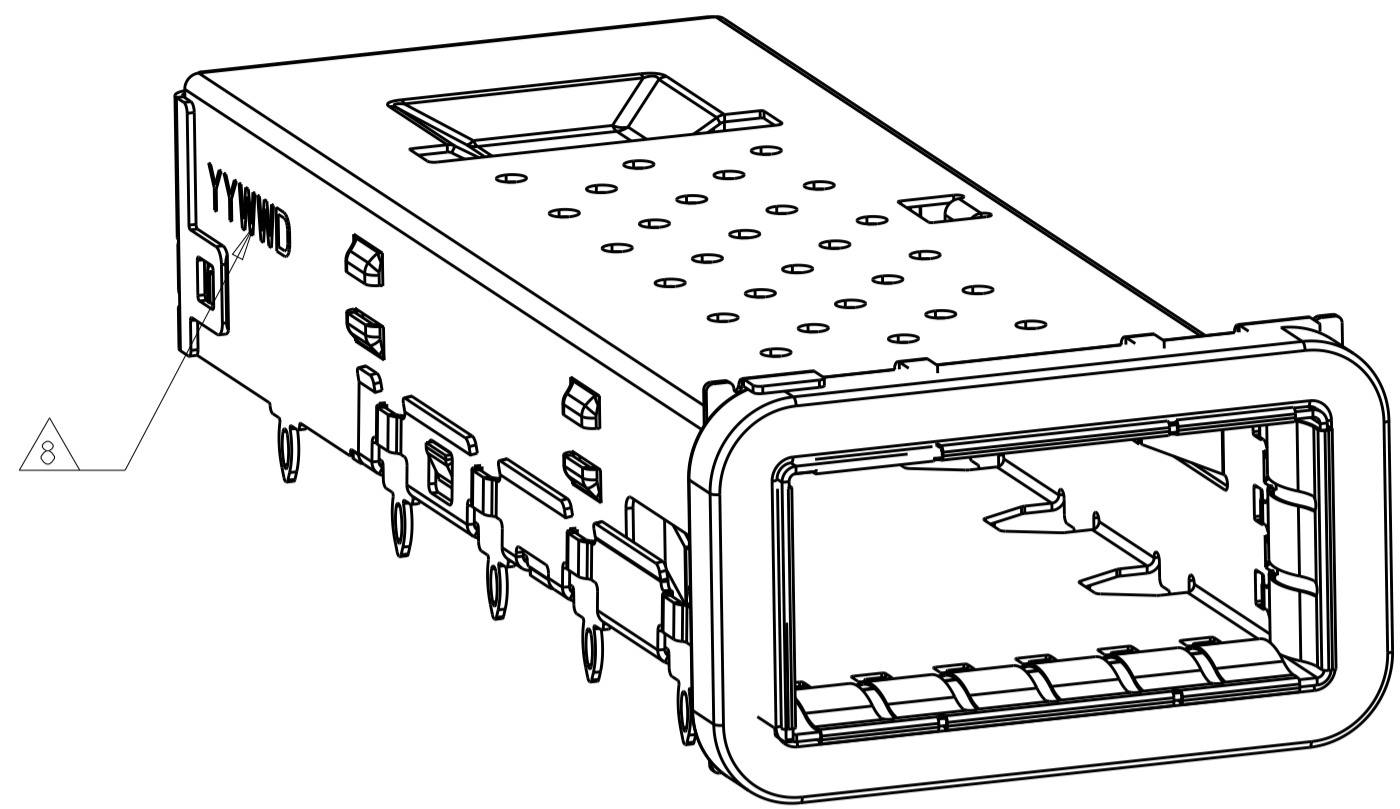
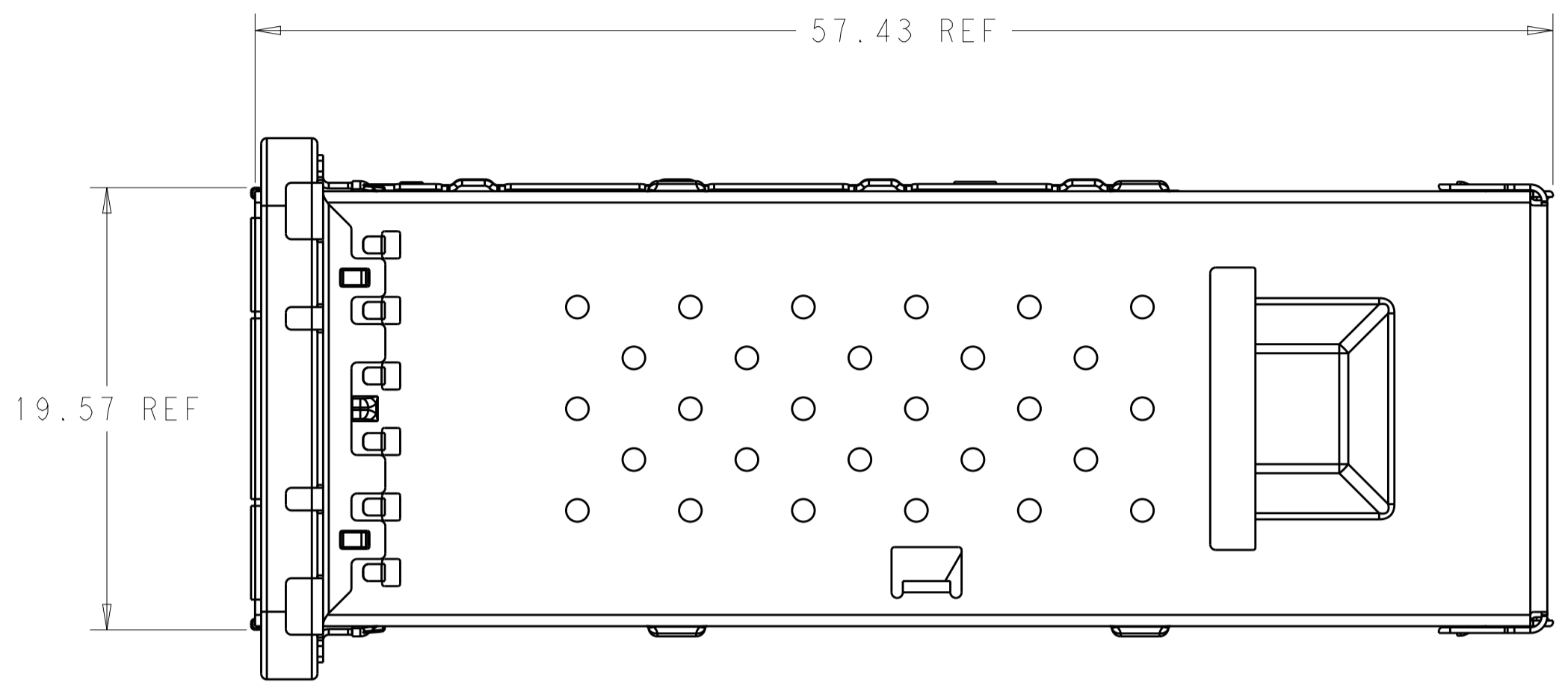


LOC		DIST		REVISIONS			
P	LTN	DESCRIPTION	DATE	DWN	APVD		
A		RELEASE	30DEC2015	JY	SH		



SCALE 4:1



- MATERIAL:  
 CAGE MATERIAL : 0.25 THICK NICKEL SILVER.  
 SPRING MATERIAL: COPPER ALLOY  
 EMI GASKET: PLATED FILLED SILICONE

- FINISH:  
 SPRING: NICKEL PLATING

- MATES WITH QSFP28 MSA COMPATIBLE TRANSCEIVER.

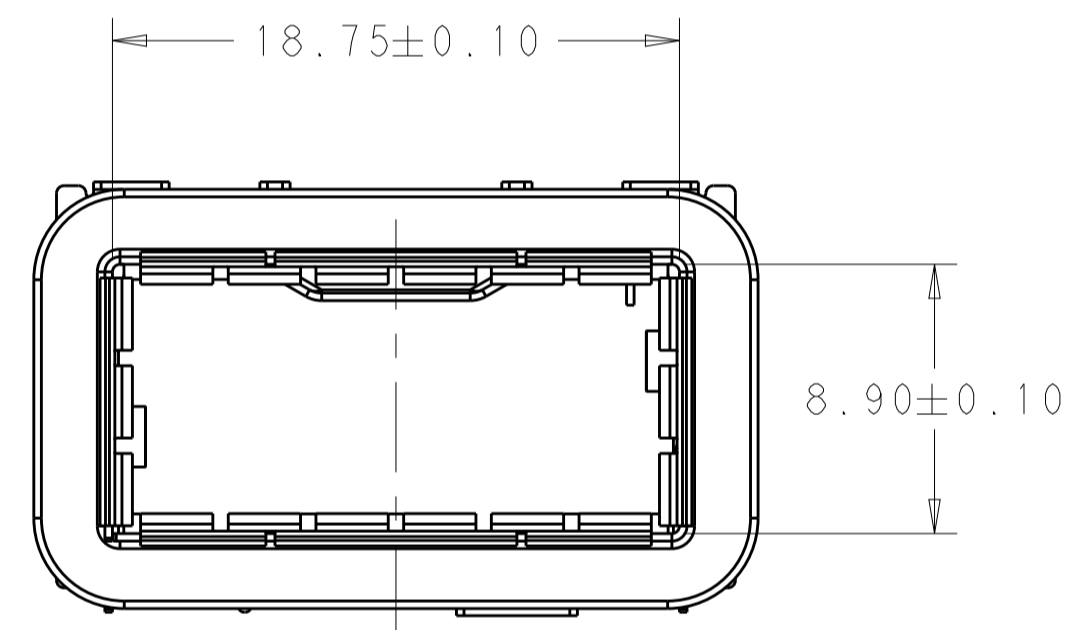
REFERENCE APPLICATION SPEC 114-32023 FOR RECOMMENDED DRILL HOLE DIAMETER AND PLATING THICKNESS.

DATUM AND BASIC DIMENSIONS ESTABLISHED BY CUSTOMERS.

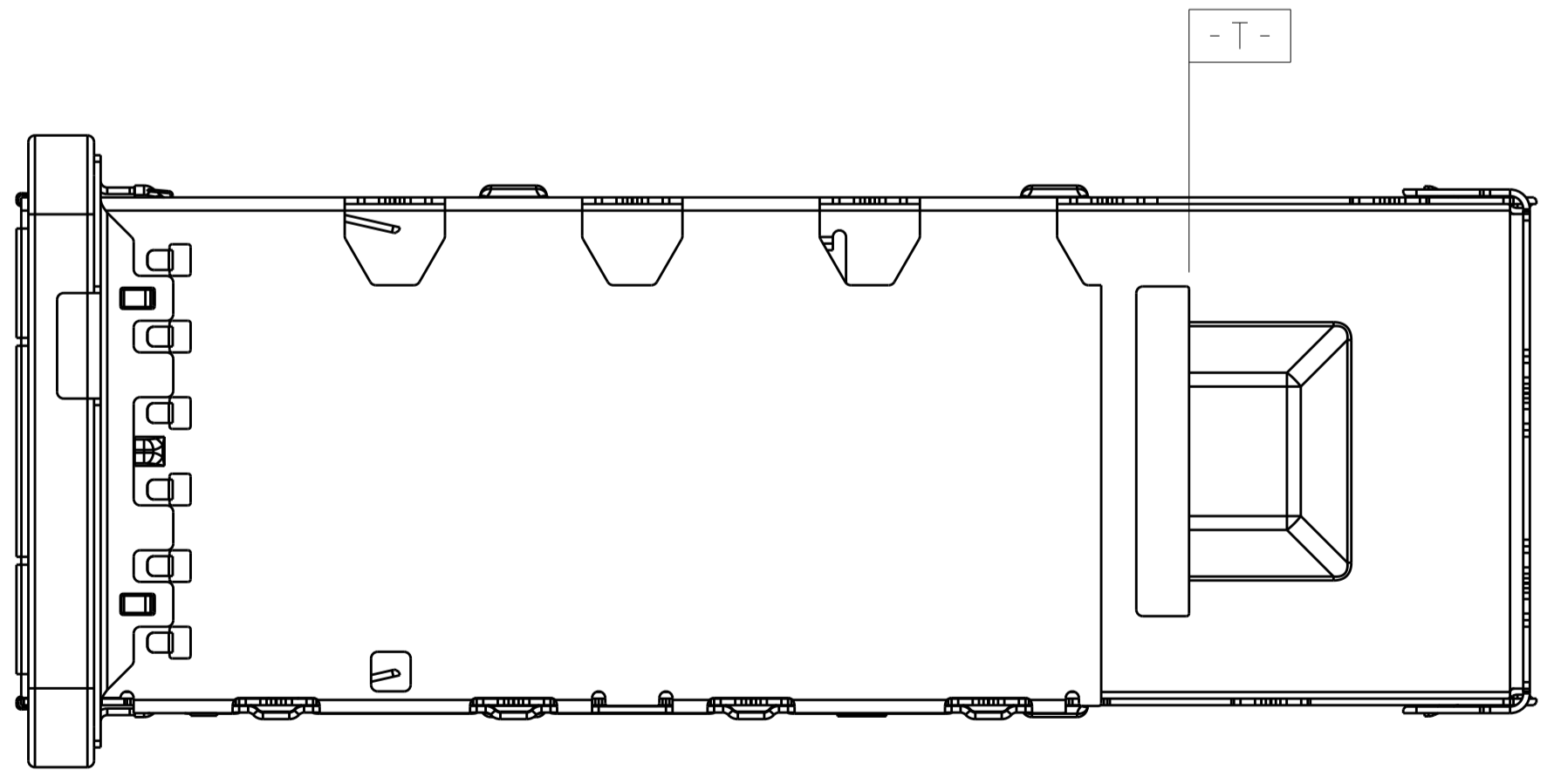
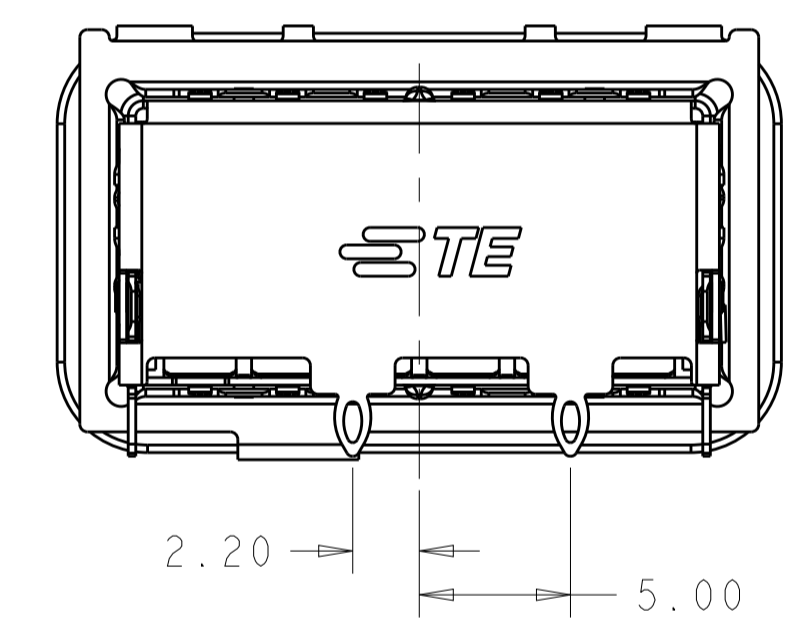
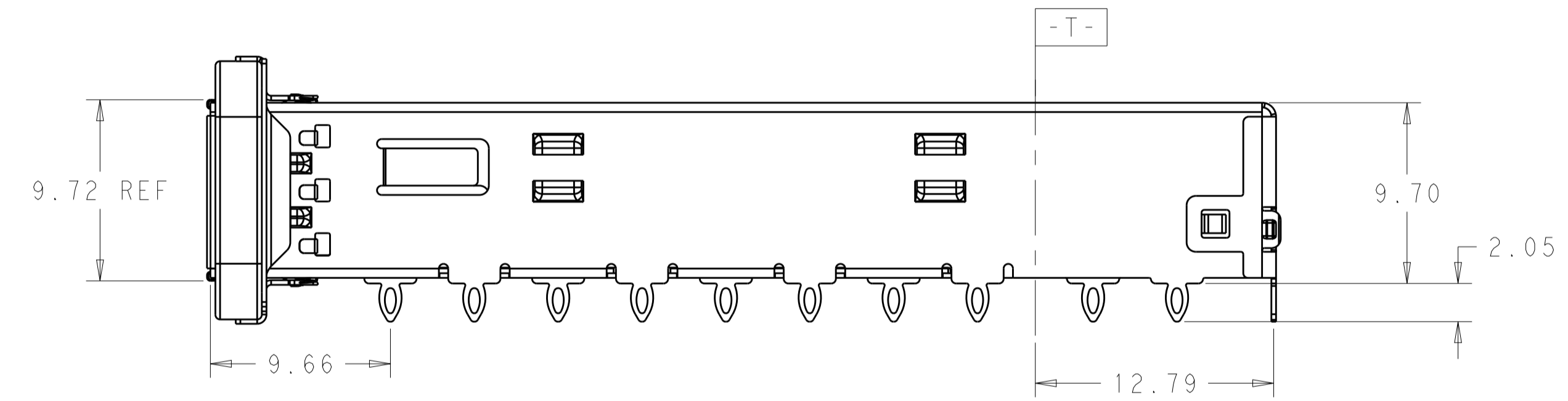
- MINIMUM PC BOARD THICKNESS :  
 SINGLES SIDED: 1.57 MIN  
 DOUBLE SIDED: 3.00 MIN

DATUM -A- IS TOP SURFACE OF THE HOST BOARD.

DATE CODE (YYWWD) MARKED APPROXIMATELY AS SHOWN



SCALE 4:1



0	WITH	2170752-7
1	WITH	2170752-6
0	WITHOUT	2170752-5
1	WITHOUT	2170752-4
2	WITH	2170752-2
2	WITHOUT	2170752-1
# REAR PINS	HEAT SINK OPEN	PART NUMBER

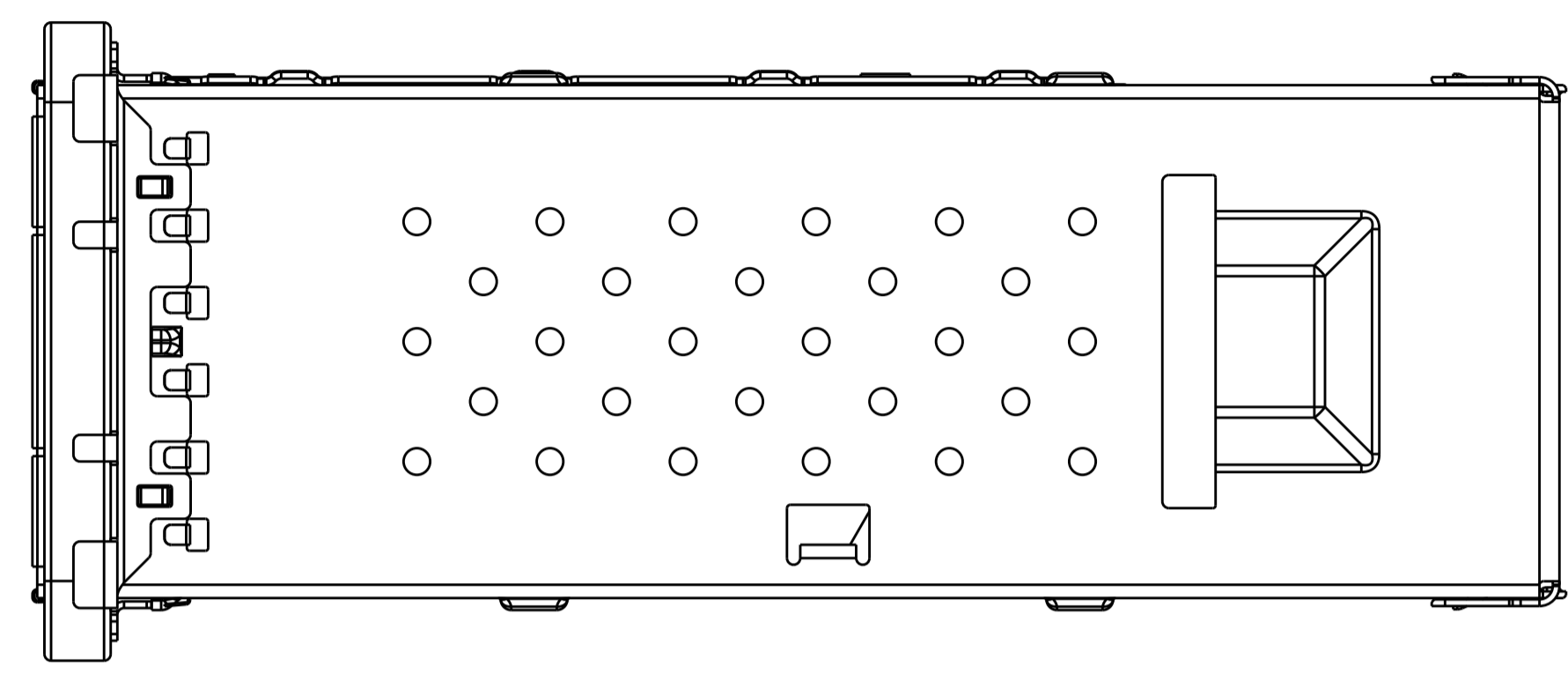
2170752-1 AS SHOWN

DIMENSIONS:		TOLERANCES UNLESS OTHERWISE SPECIFIED:		DWN		CHK		APVD	
mm	0 PLC	±0.25		JASON YANG	01APR2014	SEAN HAN	30DEC2015		
	1 PLC	±0.25							
	2 PLC	±0.25							
	3 PLC	±0.25							
	4 PLC	±0.100							
	ANGLES	±°							
	FINISH								

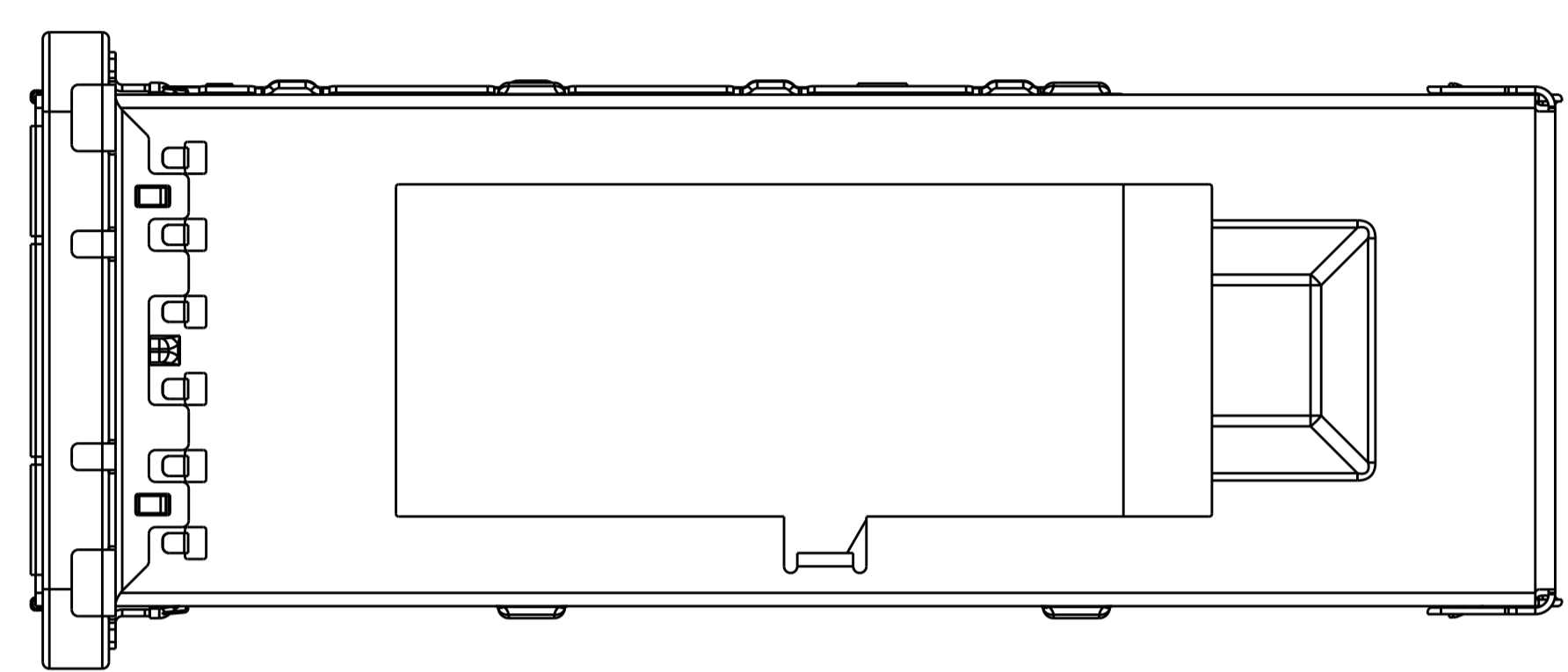
THIS DRAWING IS A CONTROLLED DOCUMENT.		NAME		PRODUCT SPEC		SIZE		RESTRICTED TO	
		CAGE ASSEMBLY, QSFP28 1X1, THRU BEZEL WITH EMI GASKET		108-19428		A100779C=2170752			
MATERIAL		WEIGHT		APPLICATION SPEC		CUSTOMER DRAWING		SCALE 4:1 SHEET 1 OF 5 REV A	

LOC	DIST	REVISIONS			
P	LTN	DESCRIPTION	DATE	DWN	APVD
-	-	SEE SHEET 1	-	-	-

# HEAT SINK OPEN OPTIONS

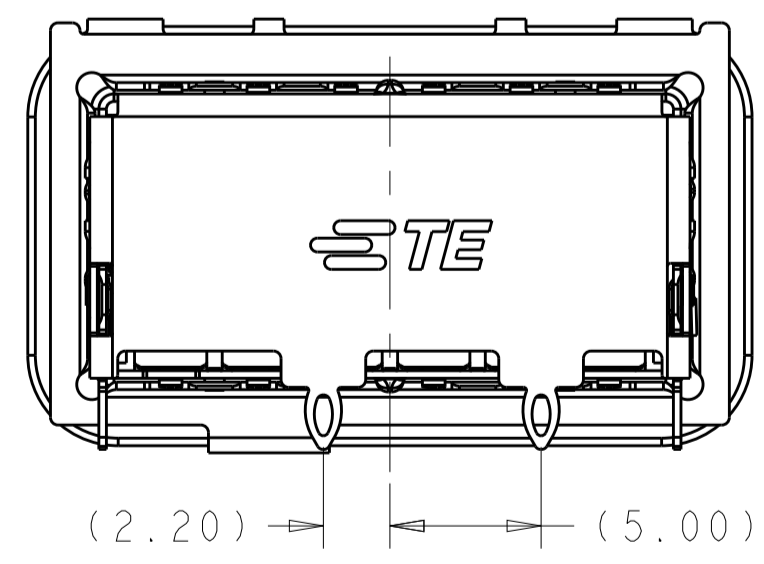


WITHOUT HEAT SINK OPEN  
SCALE 4:1

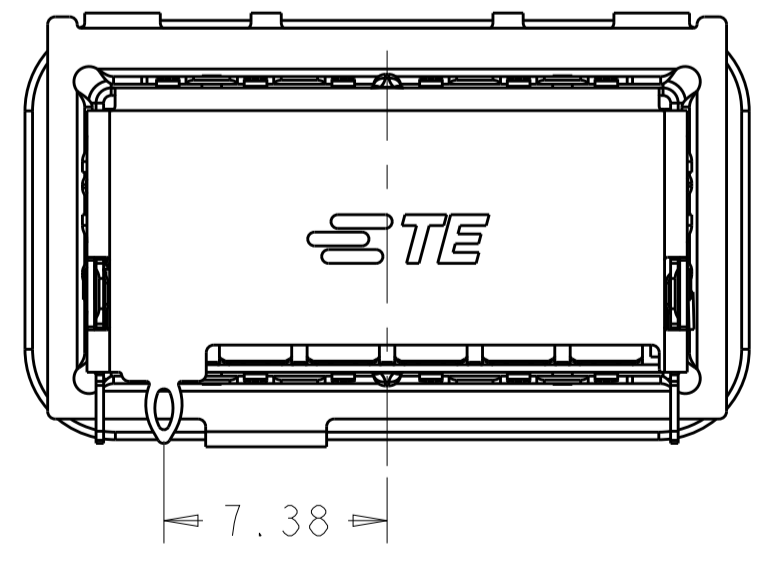


WITH HEAT SINK OPEN  
SCALE 4:1

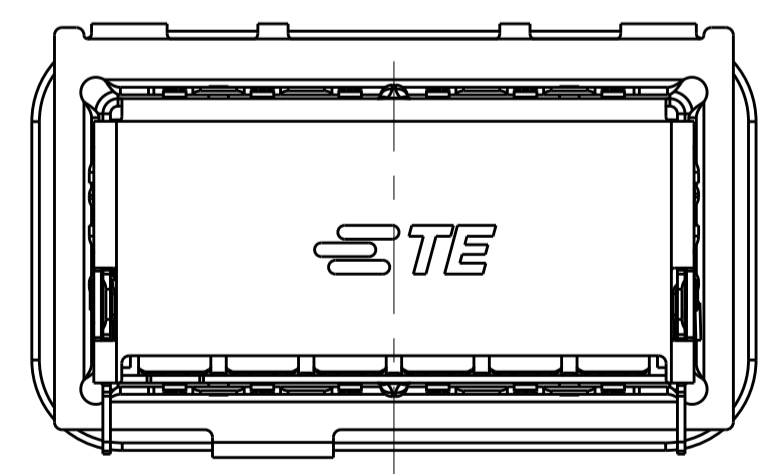
# # OF REAR LEGS OPTIONS



2 REAR LEGS VERSION  
SCALE 4:1



1 REAR LEG VERSION  
SCALE 4:1



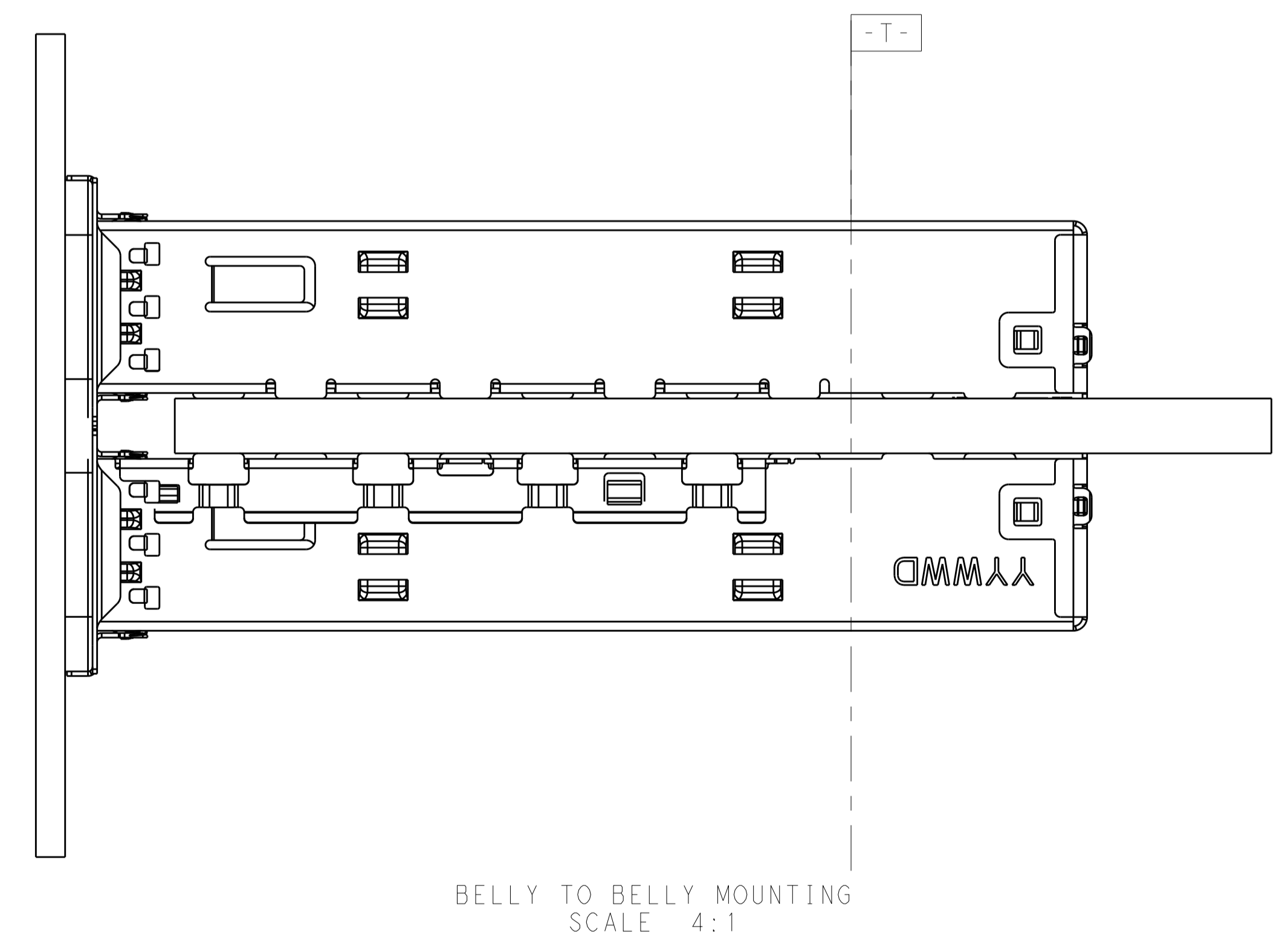
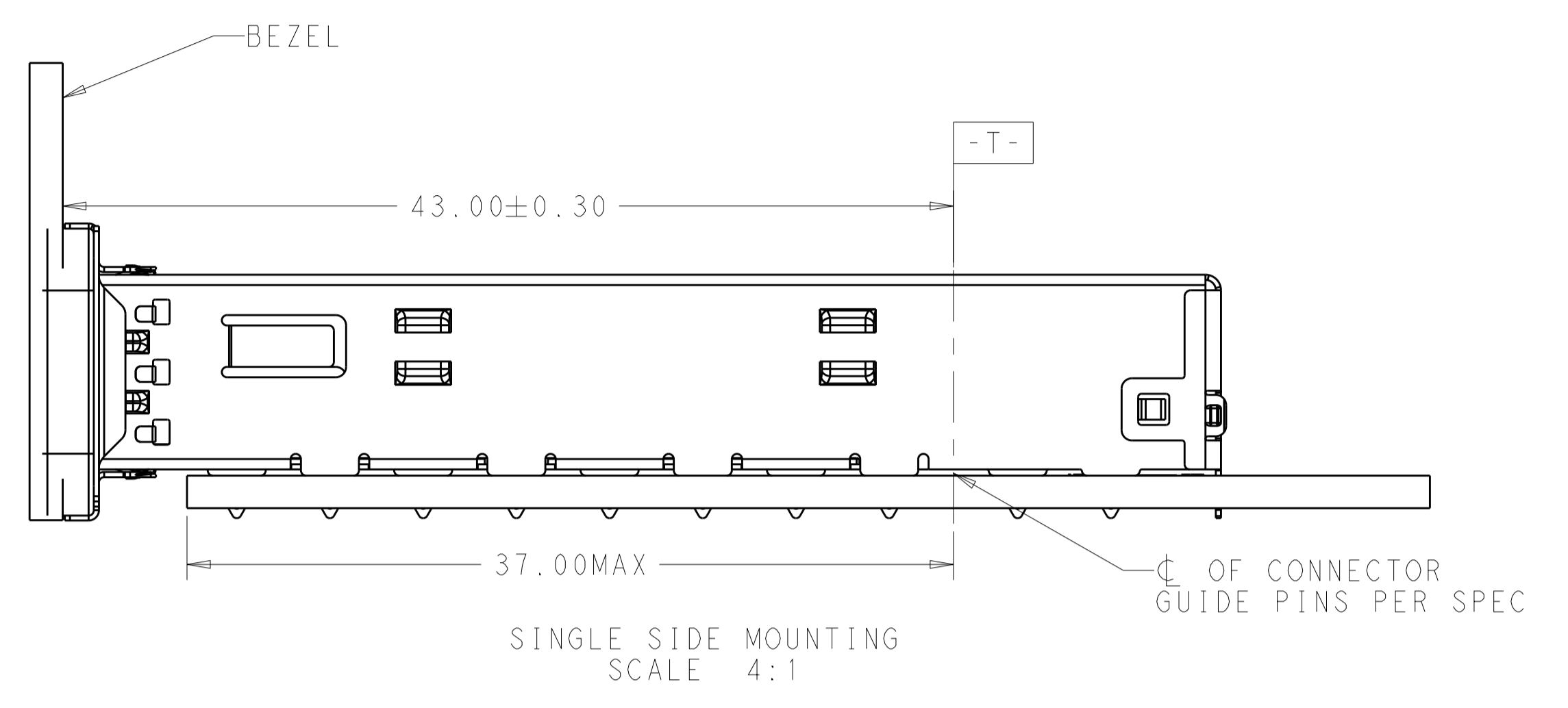
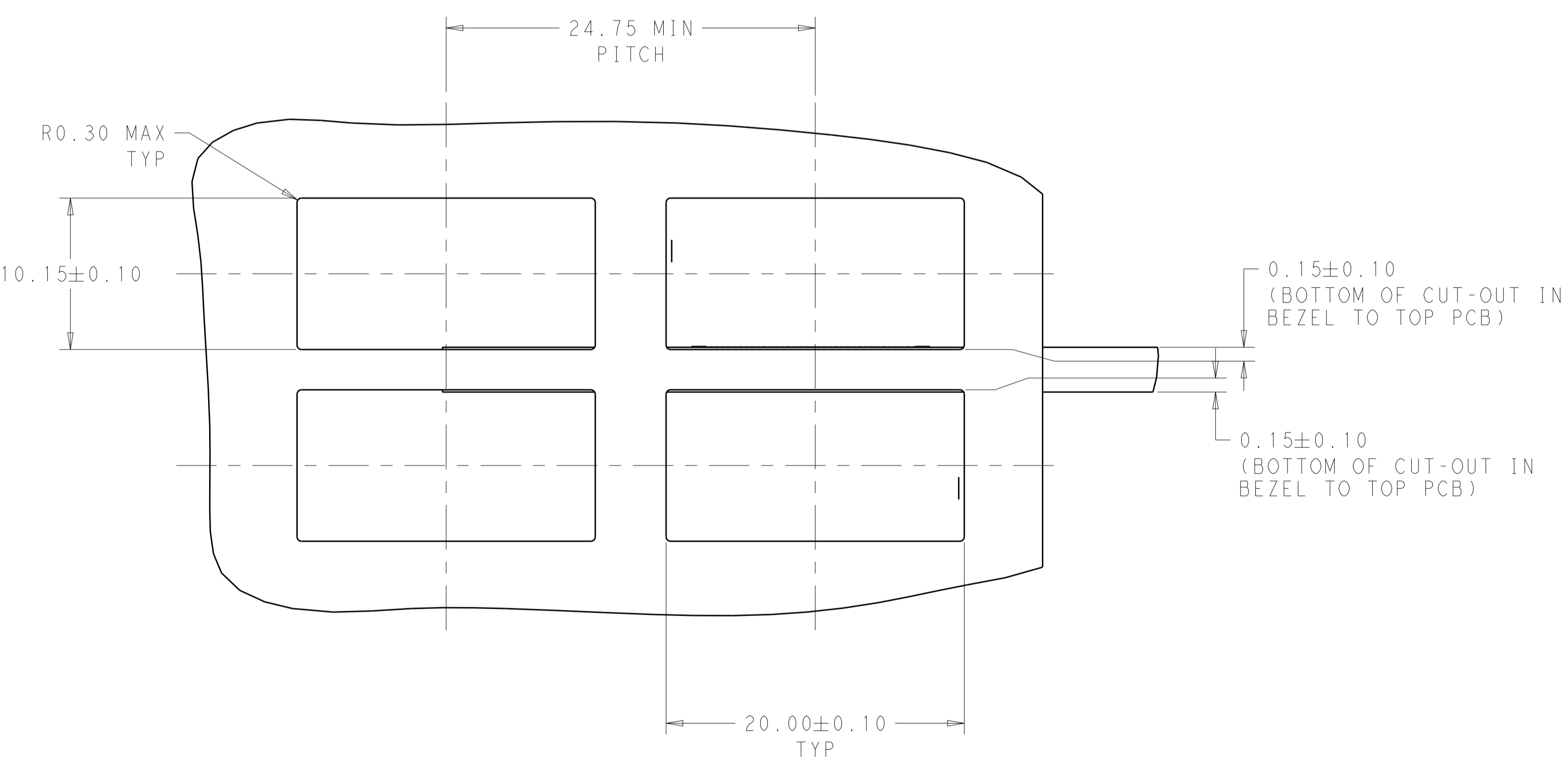
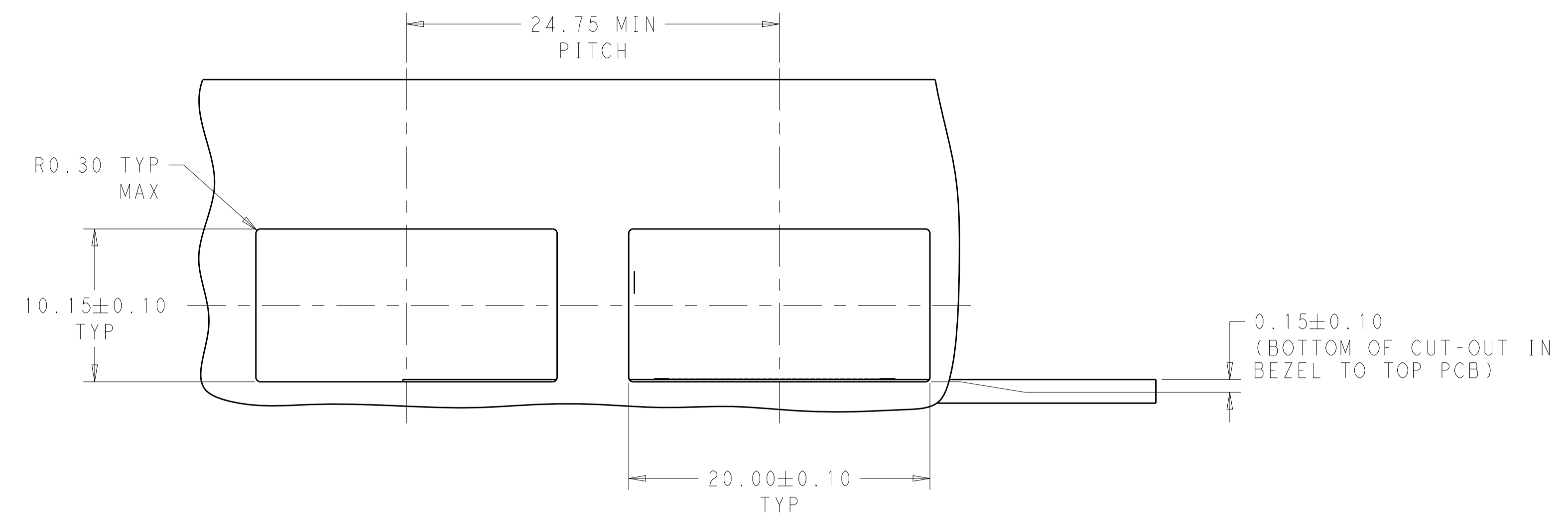
0 REAR LEG VERSION  
SCALE 4:1

THIS DRAWING IS A CONTROLLED DOCUMENT.		DWN: JASON YANG 01APR2014	TE Connectivity
		CHK: SEAN HAN 30DEC2015	
DIMENSIONS:		NAME: CAGE ASSEMBLY, QSFP28 1X1, THRU BEZEL WITH EMI GASKET	
TOLERANCES UNLESS OTHERWISE SPECIFIED:		PRODUCT SPEC: 108-19428	
0 PLC ±0.25 1 PLC ±0.25 2 PLC ±0.25 3 PLC ±0.100 4 PLC ± ANGLES ±°		APPLICATION SPEC: 114-32023	
MATERIAL:		SIZE: A100779C=2170752	
FINISH:		WEIGHT: Customer Drawing	
		RESTRICTED TO: -	
		SCALE: 4:1 SHEET 2 OF 5 REV A	

LOC	DIST	REV	DATE	BY	APPV
		1			

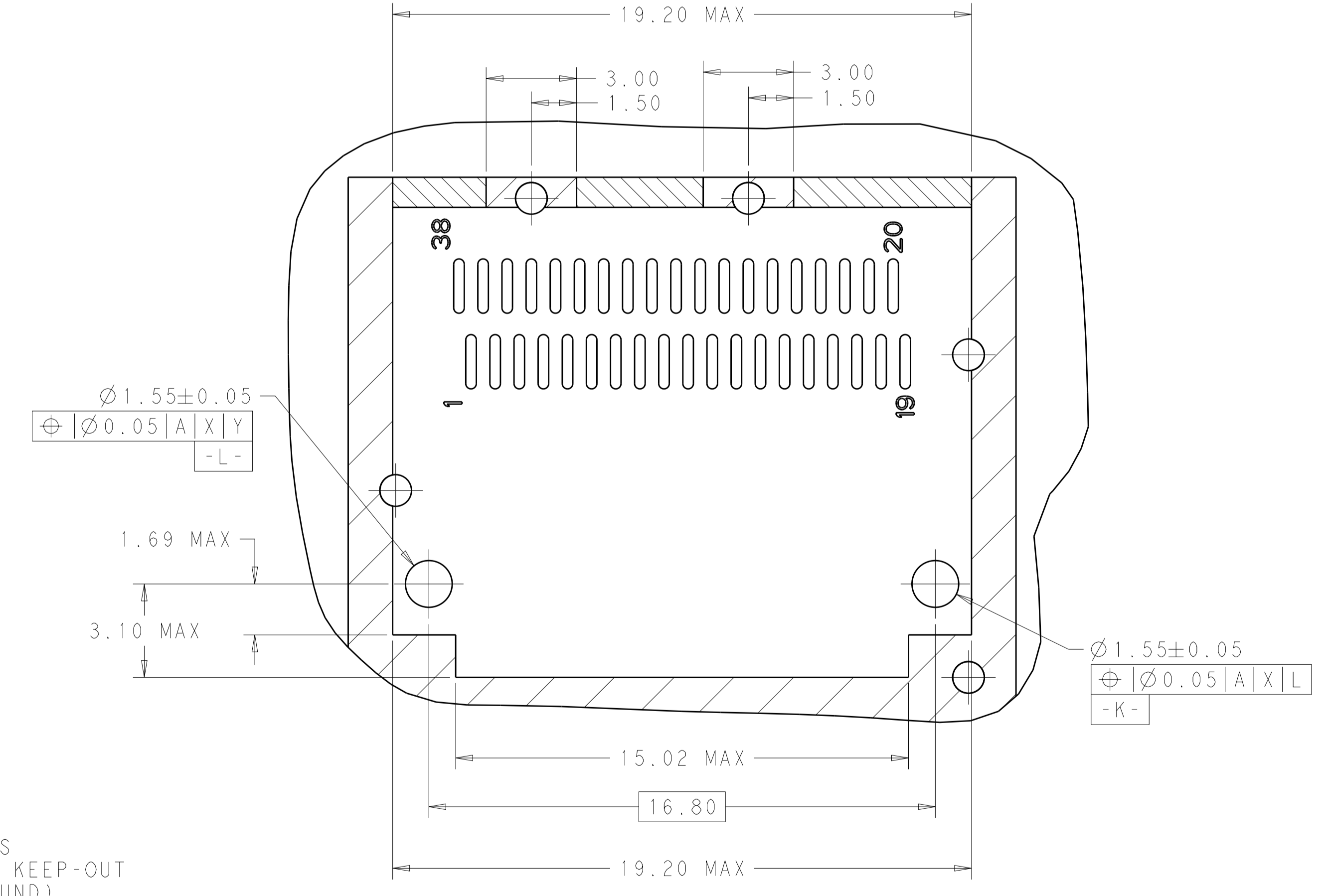
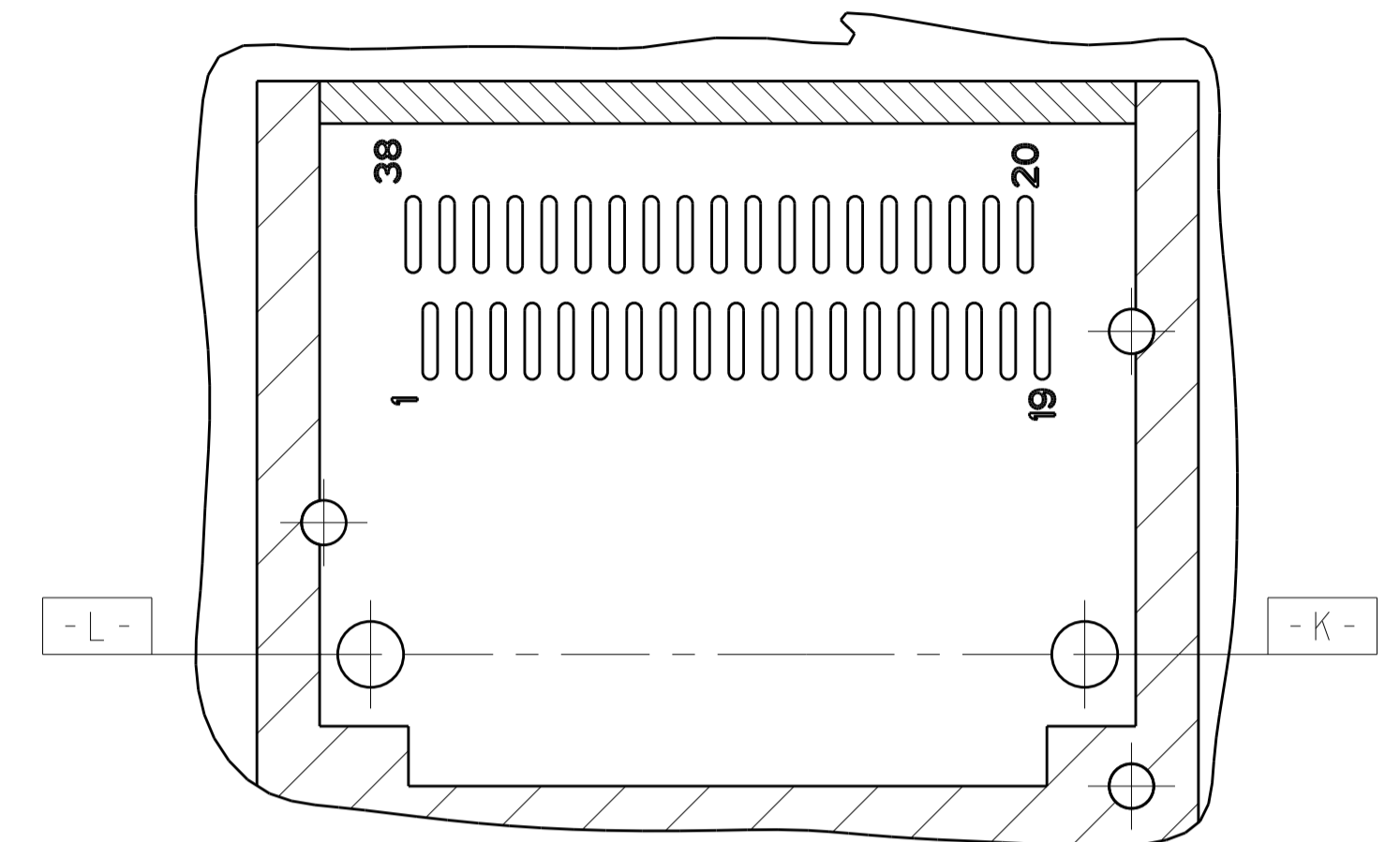
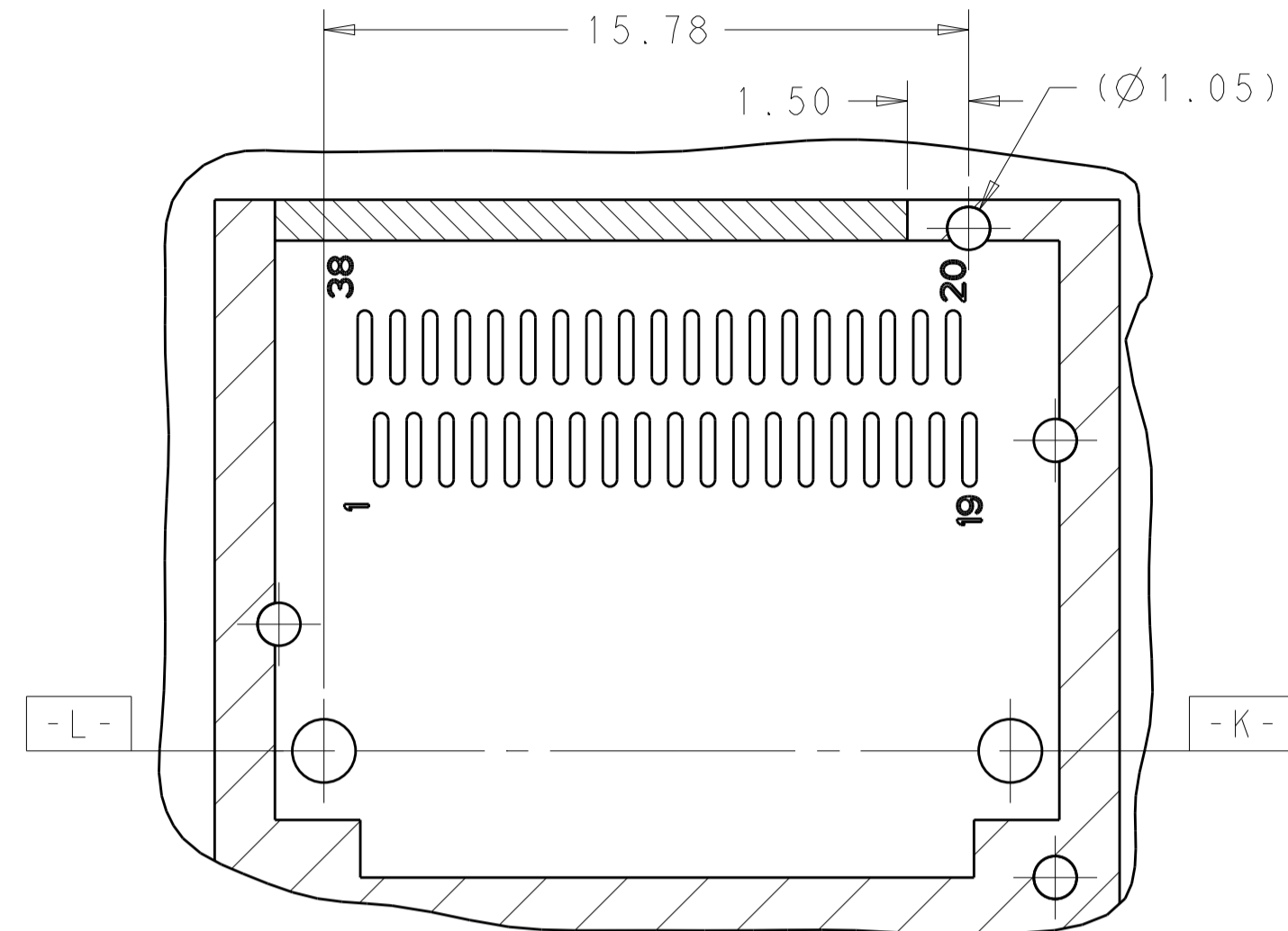
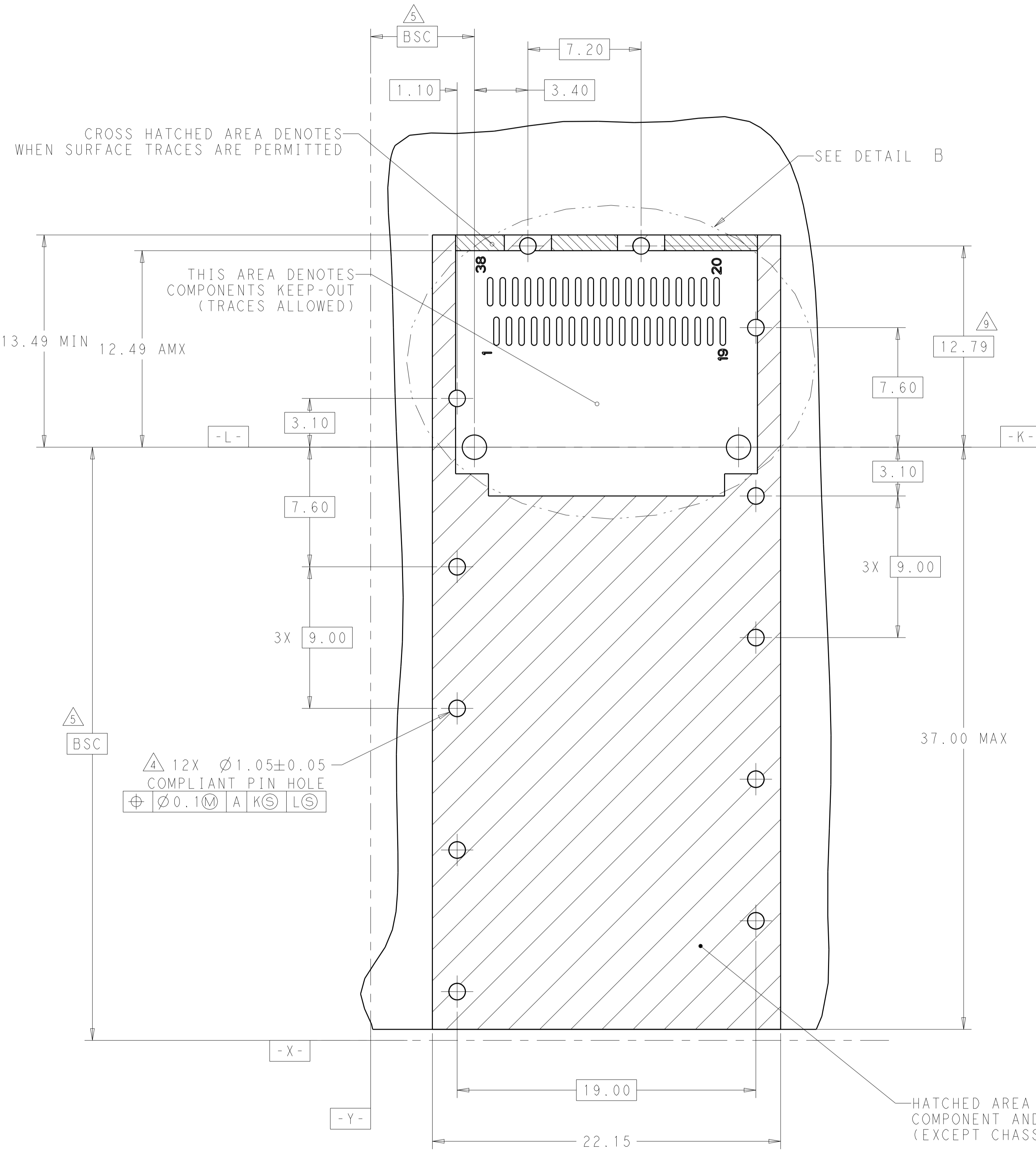
  

REV	DESCRIPTION	DATE	BY	APPV
1	SEE SHEET 1			



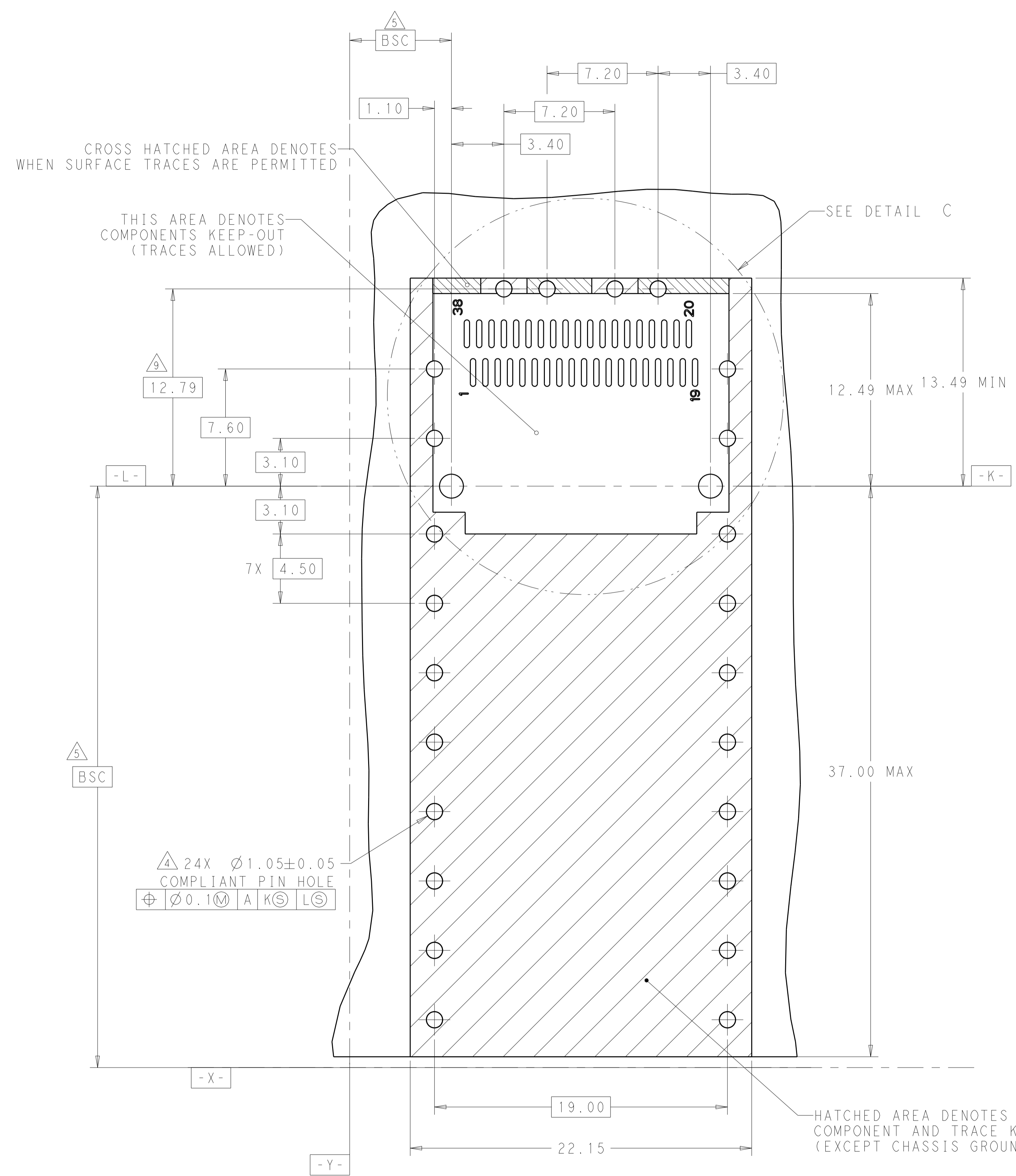
THIS DRAWING IS A CONTROLLED DOCUMENT.		DWN: JASON YANG 01APR2014	TE Connectivity
		CHK: SEAN HAN 30DEC2015	
DIMENSIONS:		TOLERANCES UNLESS OTHERWISE SPECIFIED:	NAME: CAGE ASSEMBLY, QSFP28 1X1, THRU BEZEL WITH EMI GASKET
mm	0 PLC ±0.25	1 PLC ±0.25	PRODUCT SPEC: 108-19428
	2 PLC ±0.20	3 PLC ±0.100	APPLICATION SPEC: -
	4 PLC ±	ANGLES ±	SIZE: CAGE CODE DRAWING NO: A100779C=2170752
MATERIAL: -	FINISH: -	WEIGHT: -	RESTRICTED TO: -
Customer Drawing		SCALE: 4:1	SHEET 3 OF 5 REV A

LOC	DIST	REVISIONS	DATE	DWN	APVD
		DESCRIPTION			
		SEE SHEET 1			

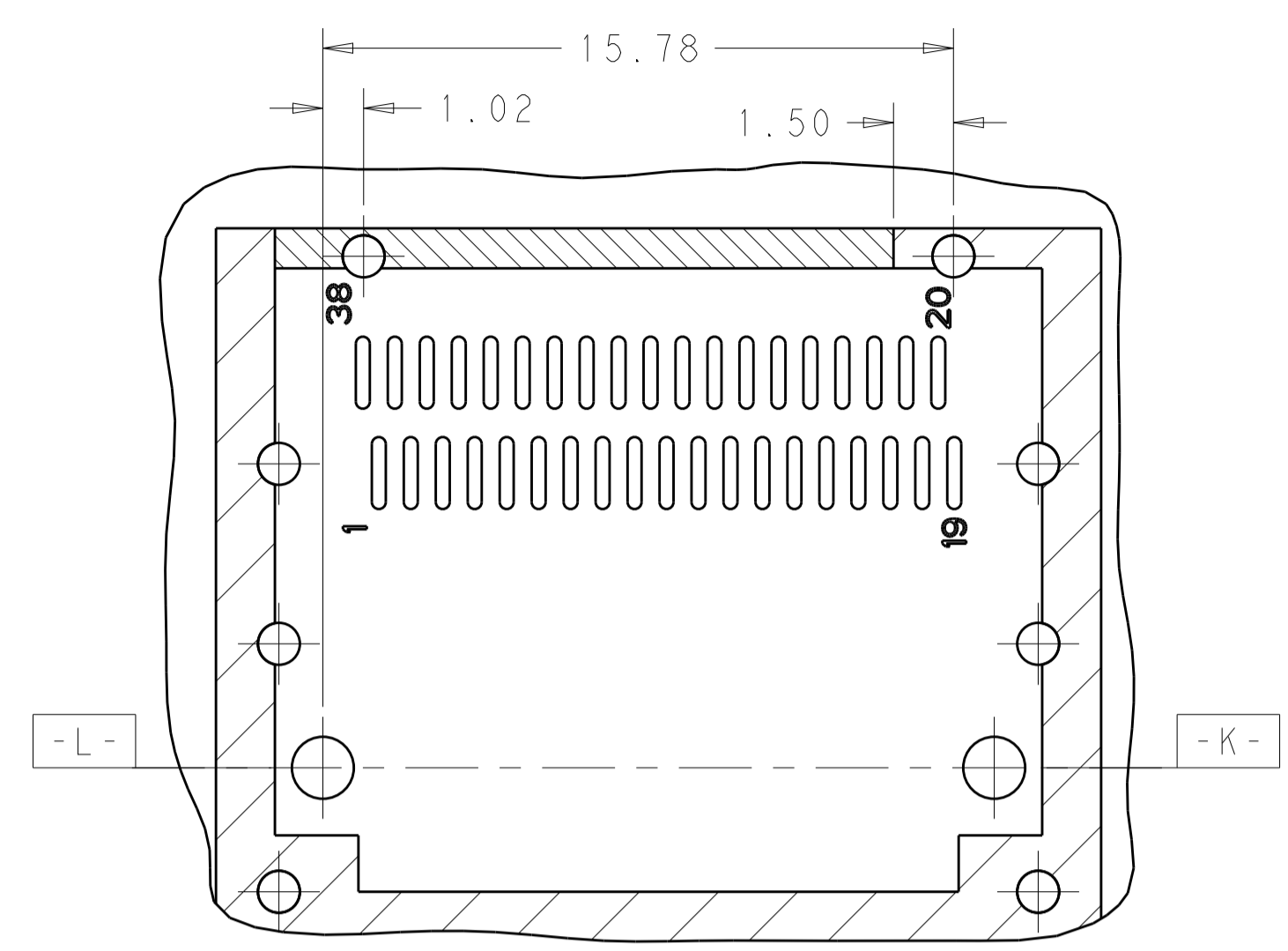


THIS DRAWING IS A CONTROLLED DOCUMENT.		DWN: JASON YANG 01APR2014	TE Connectivity
TOLERANCES UNLESS OTHERWISE SPECIFIED:		CHK: SEAN HAN 30DEC2015	
DIMENSIONS:	mm	APVD:	NAME:
0 PLC	±0.25	PRODUCT SPEC	CAGE ASSEMBLY, QSFP28 1X1, THRU BEZEL WITH EMI GASKET
1 PLC	±0.25	APPLICATION SPEC	
2 PLC	±0.20	SIZE	A100779
3 PLC	±0.100	CAGE CODE	C=2170752
4 PLC	±	DRAWING NO	
ANGLES	±	RESTRICTED TO	
MATERIAL		WEIGHT	
FINISH		Customer Drawing	

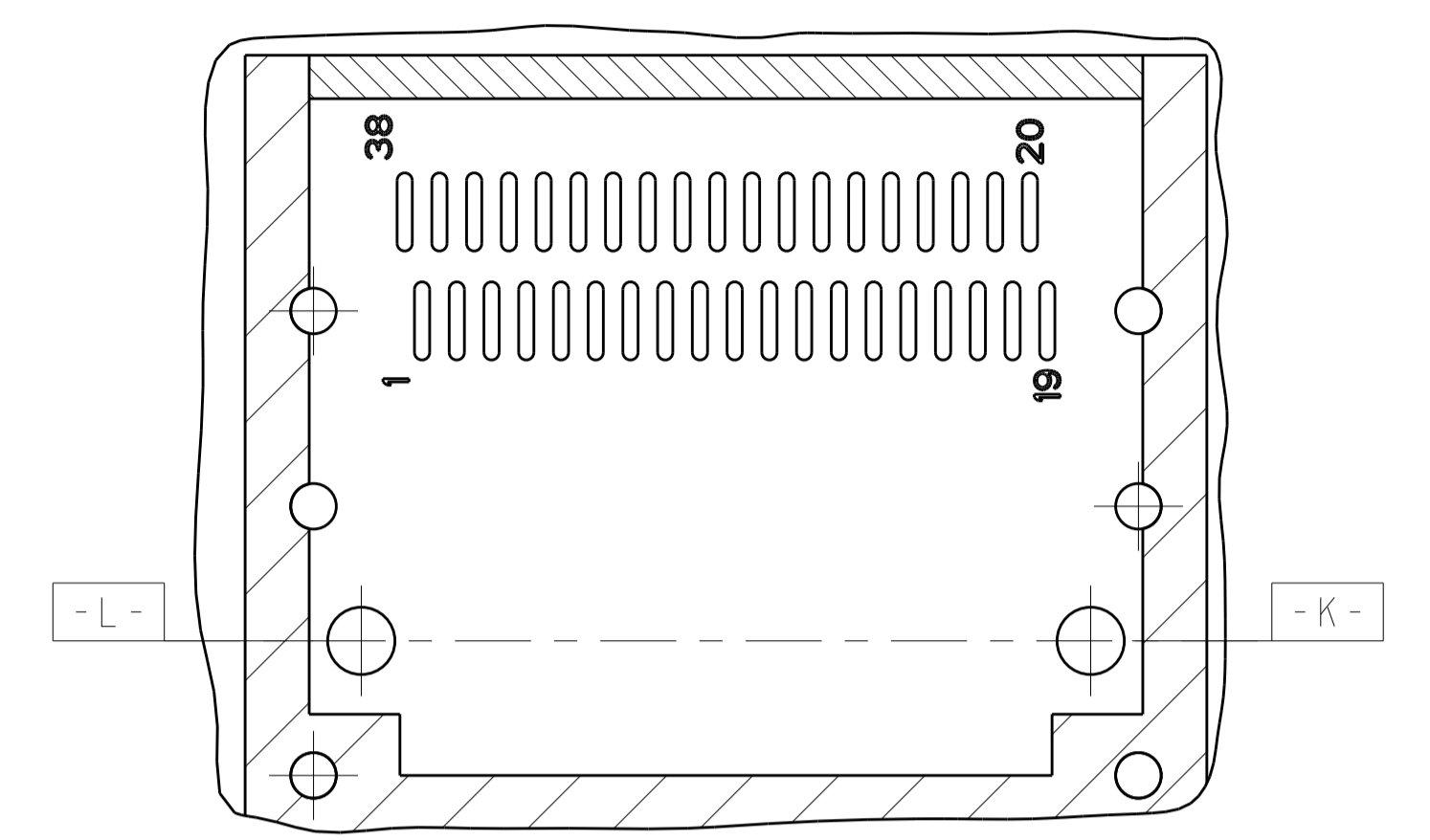
LOC		DIST		REVISIONS			
P	LTN	DESCRIPTION	DATE	DMN	APVD		
-	-	SEE SHEET 1	-	-	-	-	-



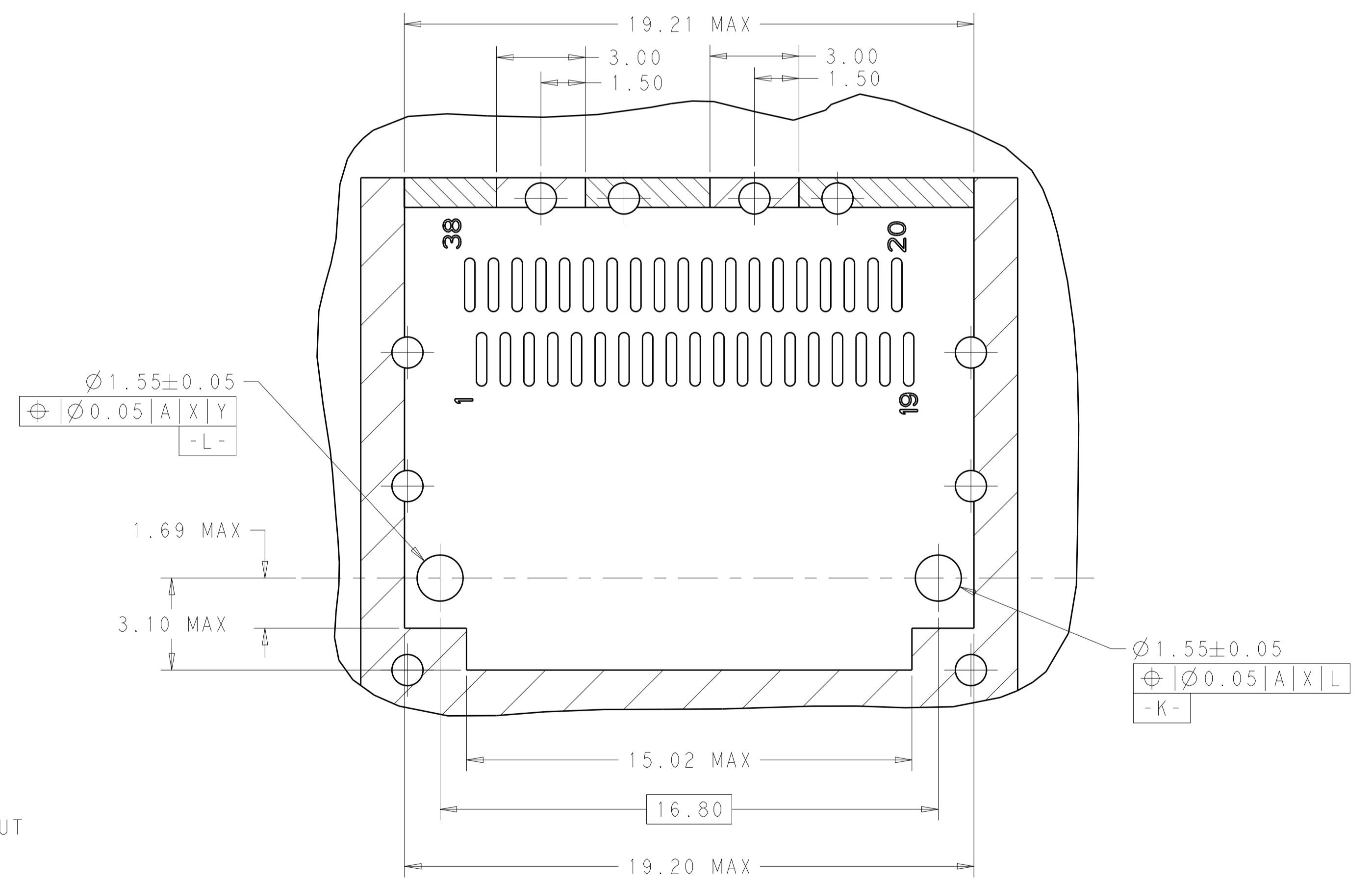
RECOMMENDED PCB LAYOUT  
 BELLY TO BELLY TYPE OF 2 REAR HOLES OF LEGS  
 PCB TOLERANCE:  $\pm 0.05$   
 SCALE 6:1



RECOMMENDED PCB LAYOUT  
 BELLY TO BELLY TYPE OF 1 REAR HOLES OF LEGS  
 PCB TOLERANCE:  $\pm 0.05$   
 SCALE 6:1



RECOMMENDED PCB LAYOUT  
 BELLY TO BELLY TYPE OF 0 REAR HOLES OF LEGS  
 PCB TOLERANCE:  $\pm 0.05$   
 SCALE 6:1



DETAIL C  
 SCALE 8:1

THIS DRAWING IS A CONTROLLED DOCUMENT.		DMN: JASON YANG 01APR2014	TE Connectivity
DIMENSIONS: mm		CHK: SEAN HAN 30DEC2015	
TOLERANCES UNLESS OTHERWISE SPECIFIED:		APVD: -	NAME: CAGE ASSEMBLY, QSFP28 1X1, THRU BEZEL WITH EMI GASKET
0 PLC $\pm 0.25$	1 PLC $\pm 0.25$	PRODUCT SPEC: 108-19428	SIZE: A
2 PLC $\pm 0.20$	3 PLC $\pm 0.100$	APPLICATION SPEC: 114-32023	CAGE CODE: 2170752
4 PLC $\pm$	ANGLES $\pm$	WEIGHT: -	RESTRICTED TO: -
MATERIAL: -	FINISH: -	Customer Drawing	SCALE: 4:1 SHEET 5 OF 5 REV A

# Mouser Electronics

Authorized Distributor

Click to View Pricing, Inventory, Delivery & Lifecycle Information:

[TE Connectivity:](#)

[2170752-1](#)