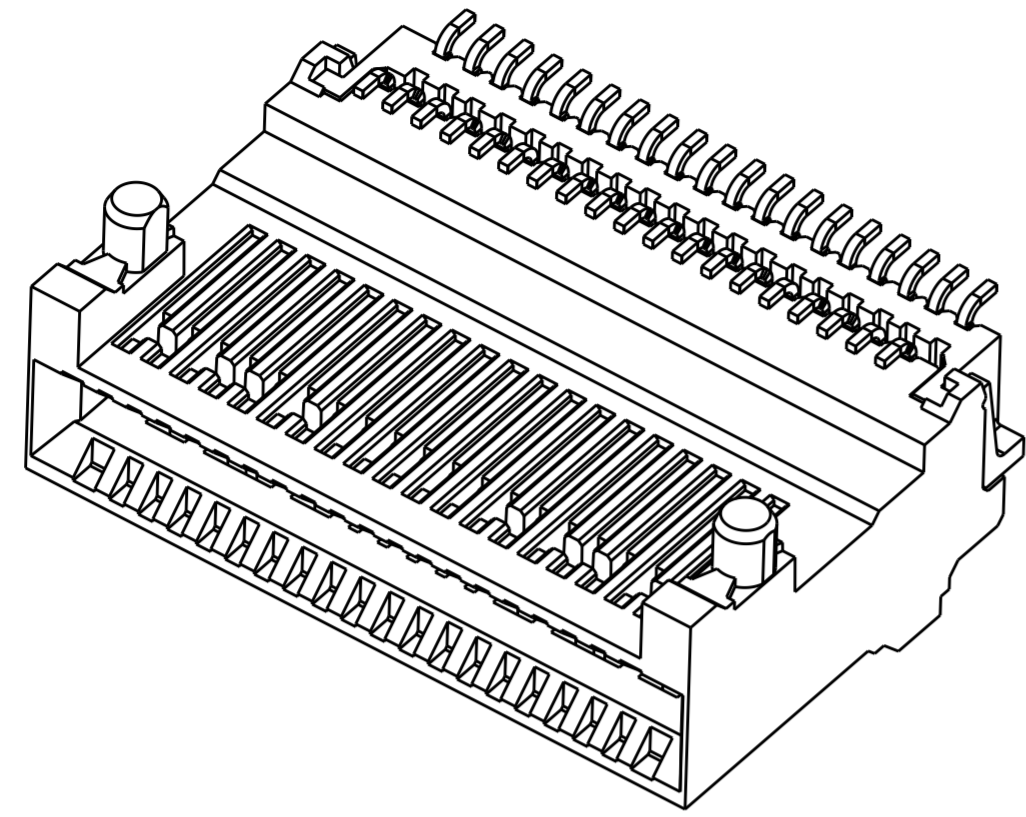
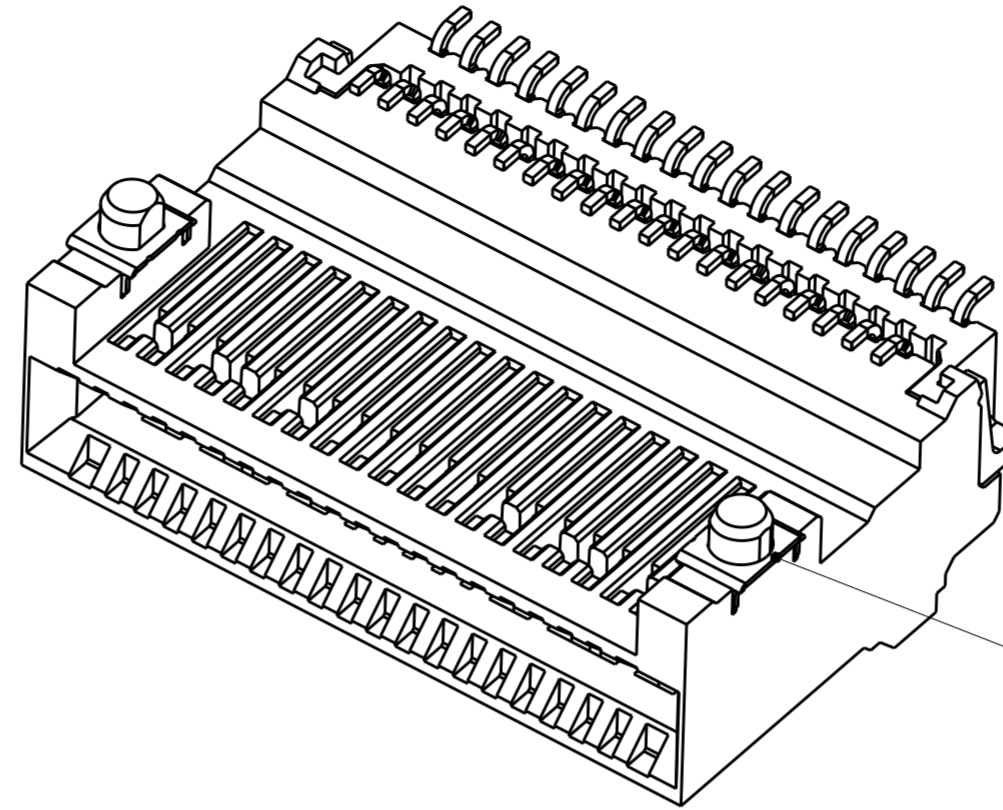


THIS DRAWING IS UNPUBLISHED. RELEASED FOR PUBLICATION
 © COPYRIGHT - BY - ALL RIGHTS RESERVED.

REVISIONS				
P	LTR	DESCRIPTION	DATE	APVD
-	-	SEE SHEET 1	-	-

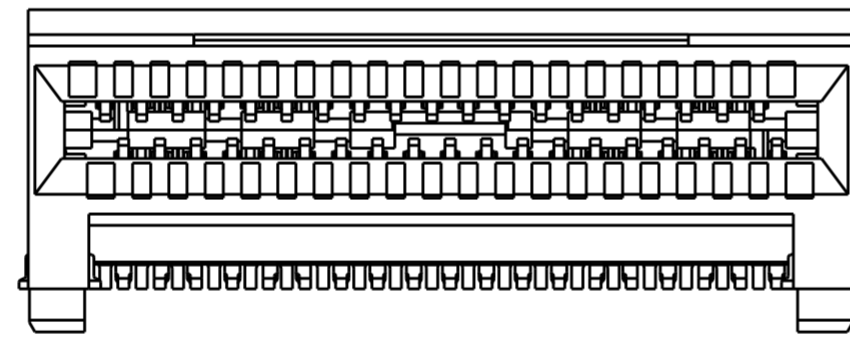


1551920-1, -2, -3, -5, -6, -7, -8
 2-1551920-1, 2-2, 2-3, 2-5 AS SHOWN
 WITHOUT RETENTION WASHER
 SCALE 6:1

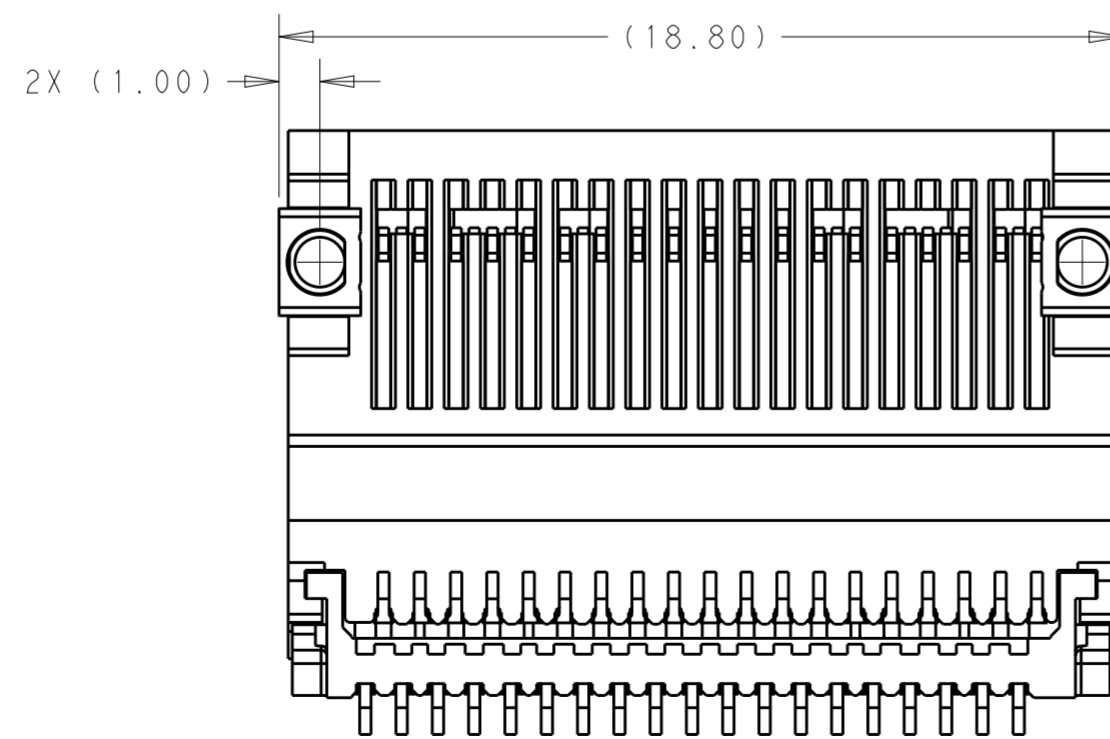
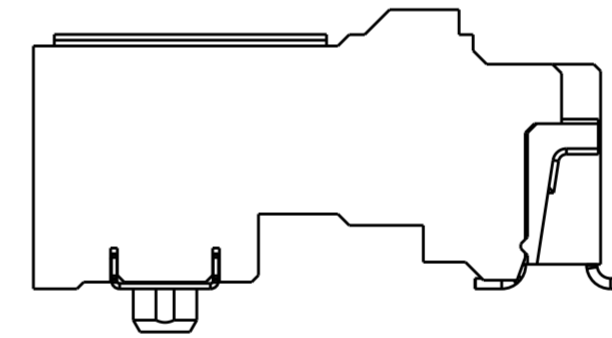



7
 RETENTION WASHER

1551920-4/2-1551920-4 AS SHOWN
 WITH RETENTION WASHER
 SCALE 6:1



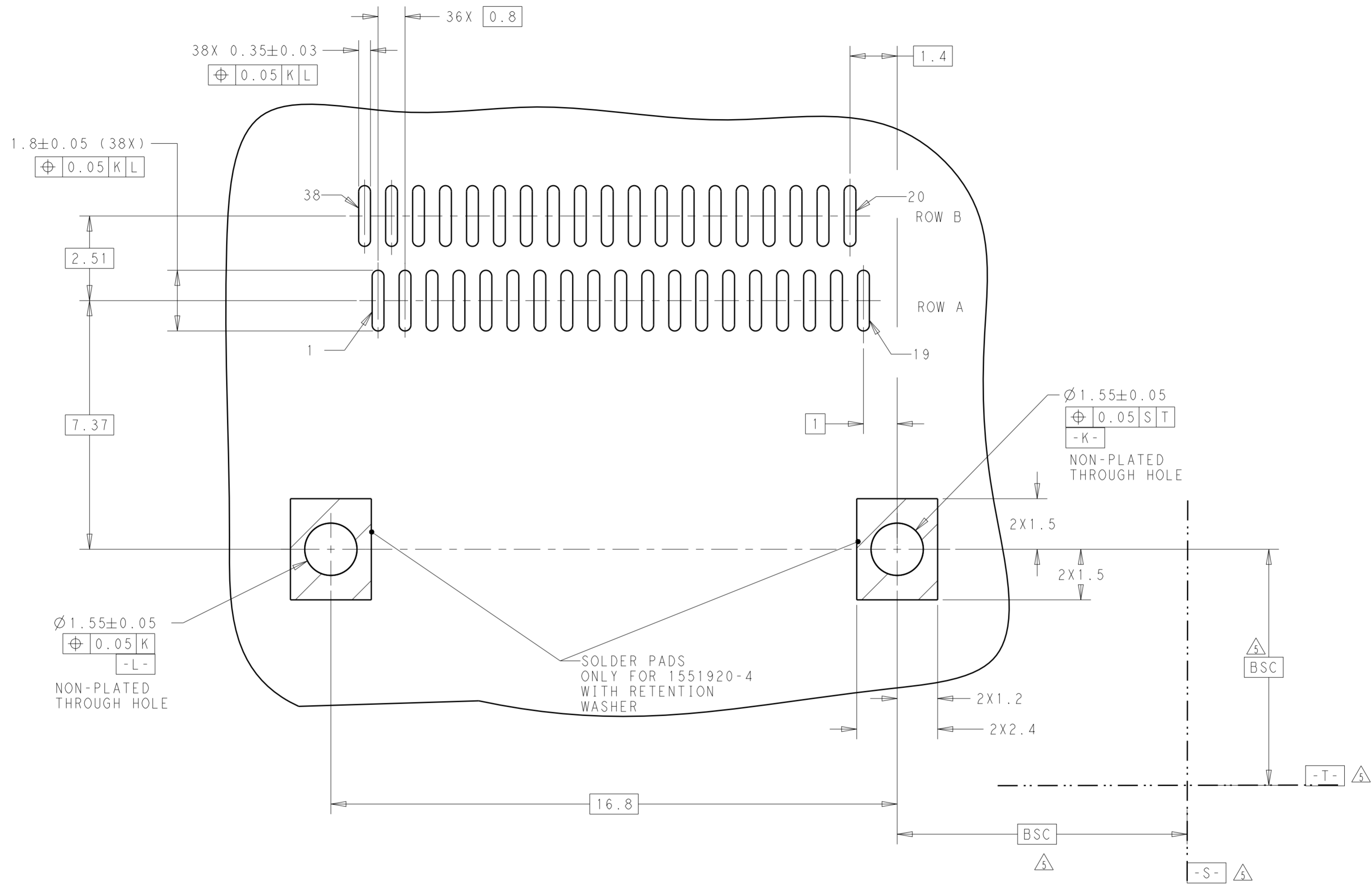
1551920-4/2-1551920-4 AS SHOWN
 UNSPECIFIED DIMENSIONS ARE SAME AS 1551920-1
 SCALE 6:1



THIS DRAWING IS A CONTROLLED DOCUMENT.		DWN E. ZIJLSTRA 17FEB2011	 TE Connectivity	
DIMENSIONS:		CHK B. MOOIJ 17FEB2011		
mm	TOLERANCES UNLESS OTHERWISE SPECIFIED:	APVD I. d. BOER	NAME ZQSFP+ CONNECTOR 38 POSITIONS	
0 PLC	±0.13	PRODUCT SPEC	108-19428	
1 PLC	±0.13	APPLICATION SPEC	114-32022	
2 PLC	±0.13	WEIGHT	-	
3 PLC	±	CUSTOMER DRAWING	SCALE 4:1 SHEET 2 OF 3 REV N	
4 PLC	±			
ANGLES	±			
FINISH	-			
MATERIAL	-			
	-			

THIS DRAWING IS UNPUBLISHED. RELEASED FOR PUBLICATION
 © COPYRIGHT - BY - ALL RIGHTS RESERVED.

REVISIONS				
P	LTR	DESCRIPTION	DATE	APVD
-	-	SEE SHEET 1	-	-



RECOMMENDED PCB-BOARD LAYOUT

THIS DRAWING IS A CONTROLLED DOCUMENT.		DWN E. ZIJLSTRA 17FEB2011	TE Connectivity	
		CHK B. MOOIJ 17FEB2011		
DIMENSIONS: mm		APVD T. d. BOER	NAME ZQSFP+ CONNECTOR 38 POSITIONS	
TOLERANCES UNLESS OTHERWISE SPECIFIED: 0 PLC ±0.13 1 PLC ±0.13 2 PLC ±0.13 3 PLC ± 4 PLC ± ANGLES ± FINISH -		PRODUCT SPEC 108-19428	RESTRICTED TO	
MATERIAL		APPLICATION SPEC 114-32022	SIZE A200779	DRAWING NO C-1551920
		WEIGHT	SCALE 4:1	SHEET 3 OF 3
		CUSTOMER DRAWING	REV N	

Mouser Electronics

Authorized Distributor

Click to View Pricing, Inventory, Delivery & Lifecycle Information:

[TE Connectivity:](#)

[1551920-4](#)