

5

4

3

2

1

DRAWING NO.

CPM8819-CUST

REVISIONS

01	OFFICAL RELEASE					
	03-05-09	Z	G	B	Y	T
02	FIGURE OF CONTACT AND CRIMP SLEEVE ARE DIFFERENT WITH BEFORE; BODY MATERIAL: WAS: BRASS; IS: ZINC. INSULATOR MATERIAL: WAS: TEFLON; IS: POM.					
	03-04-11	J	J	J	D	ECO-11-0034

D

D



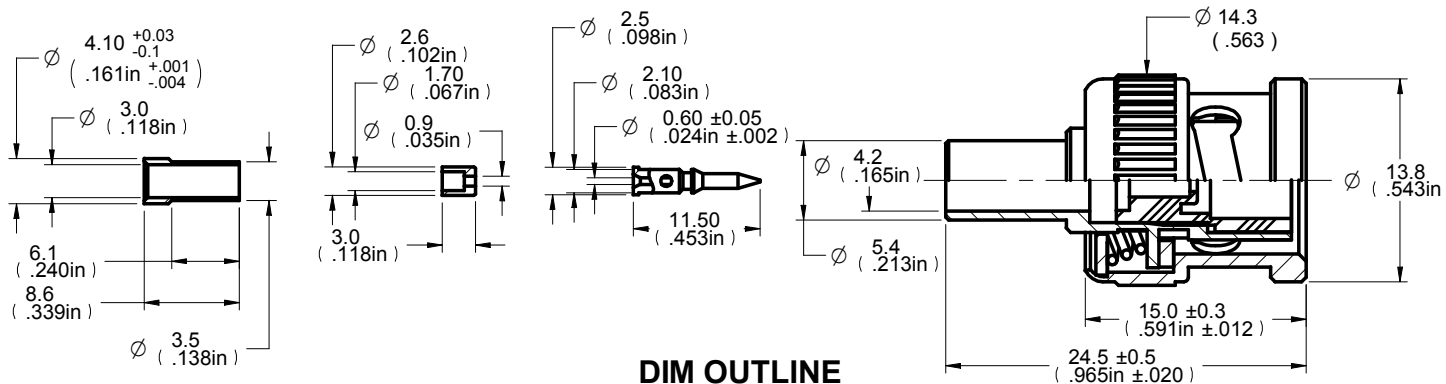
Description: BNC 3-Piece Crimp Plug, 50 Ohm, RG174,188, 316  
 Part No: CPM8819  
 Application: For Cable RG174, 188, 316  
 Crimp Tool: 24-9912P  
 Impedance: 50 Ohms  
 Fequency Range: 0-4 GHz  
 Material: Body Zinc Nickel Plated  
 Contact Brass Gold Plated  
 Insulator Pom  
 Crimp Sleeve Brass Nickel Plated  
 Coupling Nut Zinc Nickel Plated  
 RoHS Compliance: Yes  
 Technical Detail: Refer to Emerson Document P/N 27-0000

C

C

B

B



CUSTOMER COPY

A

A

TOLERANCE UNLESS OTHERWISE SPECIFIED		DRAWN BY	DATE
DECIMALS	mm	JEAN.JIN	03-04-11
X	± 0.5	CHECKED BY	DATE
X.X	±0.15	JEAN.JIN	03-04-11
X.XX	± 0.1	APPROVED BY	DATE
ANGLES	± 0.5°	DONALD	03-04-11
		U/M	mm

**EMERSON** Network Power  
**Connectivity Solutions**

TITLE  
 BNC 3-Piece Crimp Plug, 50 Ohm, RG174,188, 316

SHEET	DRAWING NO.	SIZE
1 OF 1	CPM8819-CUST	A

THIS DRAWING WAS PRODUCED BY COMPUTER, DO NOT SCALE DRAWING OR UPDATE MANUALLY.

5

4

3

2

1

# Mouser Electronics

Authorized Distributor

Click to View Pricing, Inventory, Delivery & Lifecycle Information:

[Cinch Connectivity Solutions:](#)

[CPM-88-19](#)