

TABLE 1					
STYLE	"A"	"B"	BODY	TERMINAL	MATED HEIGHT WITH BSE
-01	.1600[4.064] REF	.1680[4.267]	BTE-XXX-01-D	T-1S39-01-X	.1980[5.029] REF
-02	.2781[7.064] REF	.2861[7.267]	BTE-XXX-02-D	T-1S59-02-X	.3161[8.029] REF
-03	.3962[10.063] REF	.4042[10.267]	BTE-XXX-03-D	T-1S39-03-X	.4342[11.029] REF

DO NOT SCALE FROM THIS PRINT

BTE-XXX-XX-X-D-XX-X-XX

No OF POSITIONS
 -020, -040, -060,
 [-080, *.090, -100, -120]
 (PER ROW)
 *-03, -04 & -08 BODY STYLE ONLY

PACKAGING

-BLANK: TUBES (SEE NOTES 18 & 19)
 -TR: TAPE & REEL (80 POS MAX)
 [N/A ON STYLE -05, -06, -07 & -08]
 (SEE NOTES 19 & 20)
 -FR: FULL REEL QTY. TAPE & REEL (80 POS MAX)
 [N/A ON STYLE -05, -06, -07 & -08]
 (SEE NOTE S 19 & 20)

PICK & PLACE OPTION

-K: POLYIMIDE FILM
 (N/A ON STYLES -07 & -08)
 (USE K-DOT-.276-.375-.005, SEE FIG 2)

OPTION

-A: ALIGNMENT PINS
 (USE BTE-XXX-XX-D-A)
 -LC: LOCKING CLIPS(SEE NOTE 13)
 (USE LC-08-TM-01)
 -FL: FRICTION LOCK (SEE FIG 4, SHEET 3)
 (USE BTE-XXX-01-D-X-FL)
 (AVAIL ON LEAD STYLE -01 ONLY,
 -020 THRU -100 POSITIONS ONLY)

ROW SPECIFICATION

-D: DOUBLE (USE BTE-XXX-XX-D-X
 & BTEH-XXX-XX-D-X)

PLATING SPECIFICATION

-F: 3µ" SELECTIVE GOLD IN CONTACT AREA, WITH MATTE TIN TAILS
 (USE T-1SXX-XX-F) (SEE NOTE 10)
 -L: 10µ" SELECTIVE GOLD IN CONTACT AREA, MATTE TIN TAILS
 (USE T-1SXX-XX-L) (SEE NOTE 10)
 -H: 30µ" GOLD IN CONTACT AREA, 3µ" GOLD ON TAIL (USE T-1SXX-XX-H)
 -C: 50µ" GOLD IN CONTACT AREA, 3µ" GOLD ON TAIL (USE T-1SXX-XX-C)

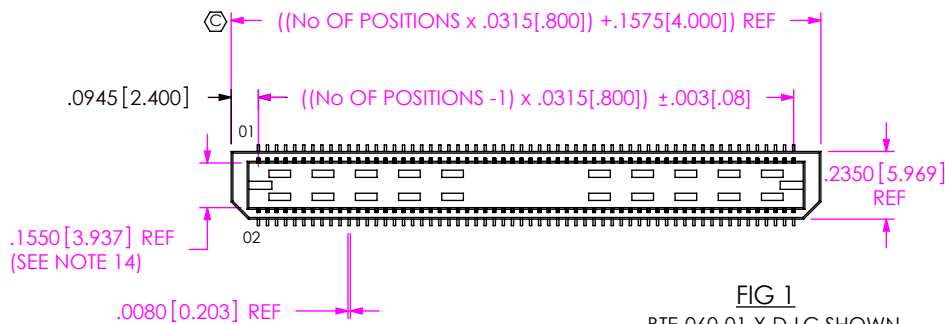
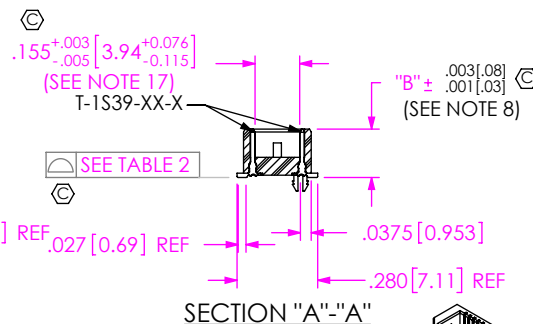
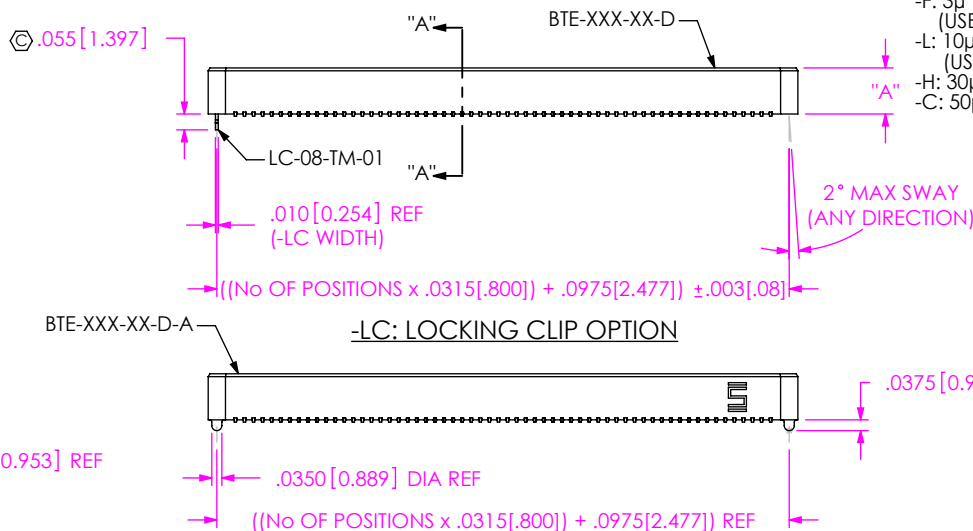


FIG 1
 BTE-060-01-X-D-LC SHOWN



SECTION "A"-"A"

TABLE 2	
POSITIONS	COPLANARITY
-20 THRU -60	.004[0.10]
-80 THRU -100	.006[0.15]
-120	.007 [0.18]

NOTES:

1. Ⓢ REPRESENTS A CRITICAL DIMENSION.
2. NOTE DELETED.
3. BURR ALLOWANCE: .0015[.038] MAX.
4. NOTE DELETED.
5. MINIMUM PUSHOUT FORCE: 6 OZ.
6. NOTE DELETED.
7. PARTS TO BE MOLD TO POSITION.
8. MAX VARIANCE OF .002[.05].
9. BTE-XXX-03-D BODY CAN BE SUBSTITUTED FOR BTE-XXX-03-D-A.
10. -L PLATING CAN BE SUBSTITUTED FOR -F PLATING.
11. NOTE DELETED.
12. NOTE DELETED.
13. DUE TO THE HIGH AMOUNT OF INSERTION FORCE NEEDED, THE -LC OPTION IS NOT COMPATIBLE WITH AUTO PLACEMENT. SAMTEC RECOMMENDS MANUAL PLACEMENT FOR ALL ASSEMBLIES WITH THE -LC OPTION."
14. PIN CAN EXTEND PAST WALL .003 [.08] MAX.
15. NOTE DELETED.
16. NOTE DELETED.
17. ANY CHANGES SHOULD ALSO BE APPLIED TO QTH, QTE, QTS, BTH, BTE, AND BTS.
18. TUBES ARE STANDARD PACKAGING.
19. ORDERS WILL BE PACKAGED ACCORDING TO THE SAMTEC PACKAGING EFFICIENCY STANDARDS (SPES) FOUND ON WWW.SAMTEC.COM
20. ATTACH LABEL-4X2 TO EACH REEL.

UNLESS OTHERWISE SPECIFIED, DIMENSIONS ARE IN INCHES.
 TOLERANCES ARE:
 DECIMALS ANGLES
 .XX: ±.01 [.3] 2°
 .XXX: ±.005 [.13]
 .XXXX: ±.0020 [.051]

PROPRIETARY NOTE

THIS DOCUMENT CONTAINS CONFIDENTIAL AND PROPRIETARY INFORMATION AND ALL DESIGN, MANUFACTURING, REPRODUCTION, USE, PATENT RIGHTS AND SALES RIGHTS ARE EXPRESSLY RESERVED BY SAMTEC, INC. THIS DOCUMENT SHALL NOT BE DISCLOSED, IN WHOLE OR PART, TO ANY UNAUTHORIZED PERSON OR ENTITY NOR REPRODUCED, TRANSFERRED OR INCORPORATED IN ANY OTHER PROJECT IN ANY MANNER WITHOUT THE EXPRESS WRITTEN CONSENT OF SAMTEC, INC.

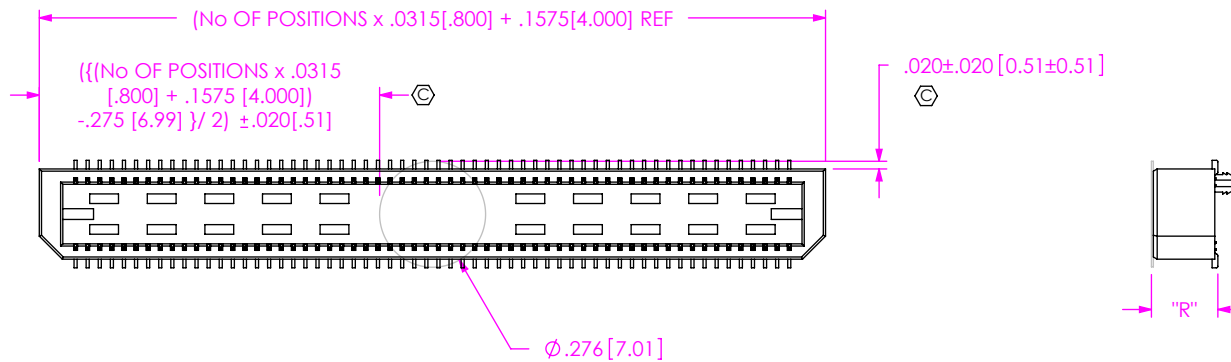


520 PARK EAST BLVD, NEW ALBANY, IN 47150
 PHONE: 812-944-6733 FAX: 812-948-5047
 e-Mail info@SAMTEC.com code 55322

MATERIAL: DO NOT SCALE DRAWING SHEET SCALE: 1.5:1
 INSULATOR: LCP, COLOR: BLACK, FLAMMABILITY RATING: UL94VO
 TERMINAL: PHOS BRONZE

DESCRIPTION: .8mm DOUBLE ROW TERMINAL ASSEMBLY
 DWG. NO. BTE-XXX-XX-X-D-XX-X-XX
 BY: DEAN P 03/22/1999 SHEET 1 OF 3

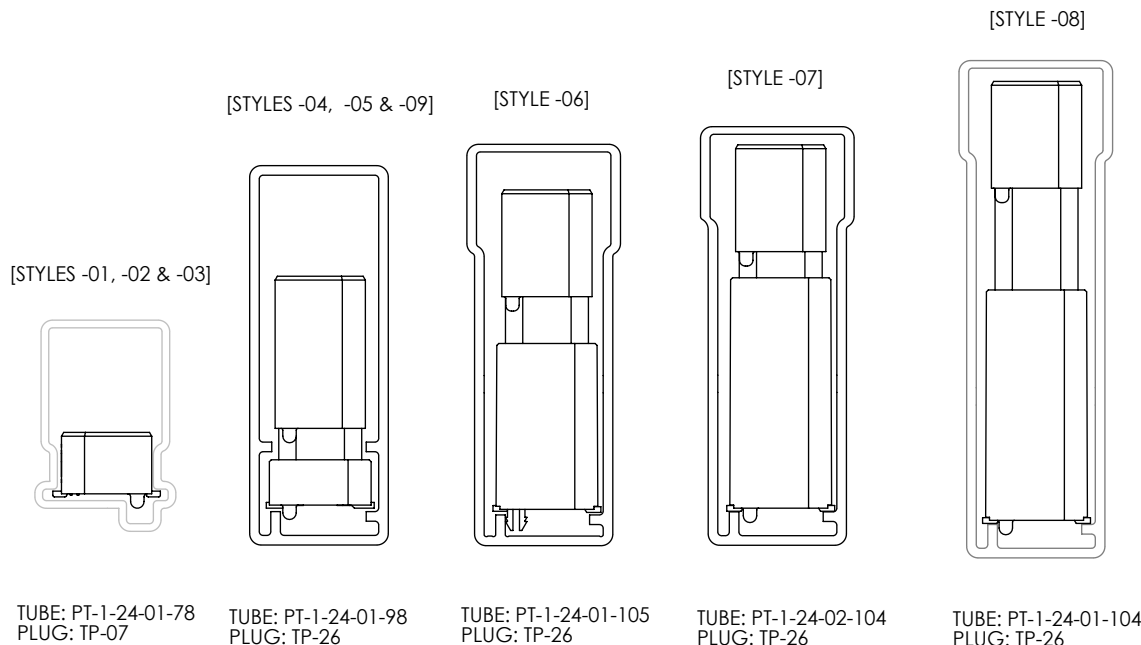
FIG 2
-K: POLYIMIDE FILM PAD



STYLE	"R"
-01	.173 [4.39]
-02	.291 [7.39]
-03	.409 [10.39]
-04	.606 [15.39]
-05	.724 [18.39]
-06	.842 [21.39]
-09	.527 [13.40]

PACKAGING VIEW

[PARTS NEED TO BE LOADED PER PACKAGING VIEWS]
[-05 LEADSTYLE PARTS WITH KAPTON TO BE LOADED WITH KAPTON RESTING ON THE TUBE RIBS].



STYLE	PACKAGING TUBE	PLUG
-01	PT-1-24-01-78	TP-07
-02		
-03		
-04	PT-1-24-01-98	TP-26
-05		
-06	PT-1-24-01-105	
-07	PT-1-24-02-104	
-08	PT-1-24-01-104	
-09	PT-1-24-01-98	TP-26

F:\DWG\MISC\MKTG\BTE-XXX-XX-X-D-XX-X-XX-MKT.SLDDRW

PROPRIETARY NOTE
THIS DOCUMENT CONTAINS CONFIDENTIAL AND PROPRIETARY INFORMATION AND ALL DESIGN, MANUFACTURING, REPRODUCTION, USE, PATENT RIGHTS AND SALES RIGHTS ARE EXPRESSLY RESERVED BY SAMTEC, INC. THIS DOCUMENT SHALL NOT BE DISCLOSED, IN WHOLE OR PART, TO ANY UNAUTHORIZED PERSON OR ENTITY NOR REPRODUCED, TRANSFERRED OR INCORPORATED IN ANY OTHER PROJECT IN ANY MANNER WITHOUT THE EXPRESS WRITTEN CONSENT OF SAMTEC, INC.



520 PARK EAST BLVD, NEW ALBANY, IN 47150
PHONE: 812-944-6733 FAX: 812-948-5047
e-Mail info@SAMTEC.com code 55322

DO NOT SCALE DRAWING

SHEET SCALE: 2:1

DESCRIPTION:
.8mm DOUBLE ROW TERMINAL ASSEMBLY

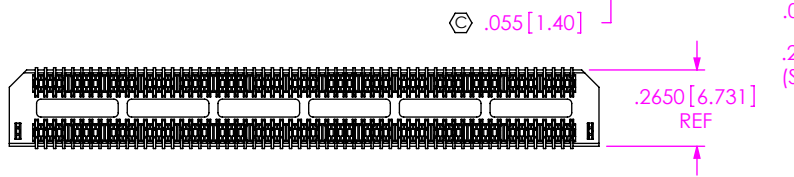
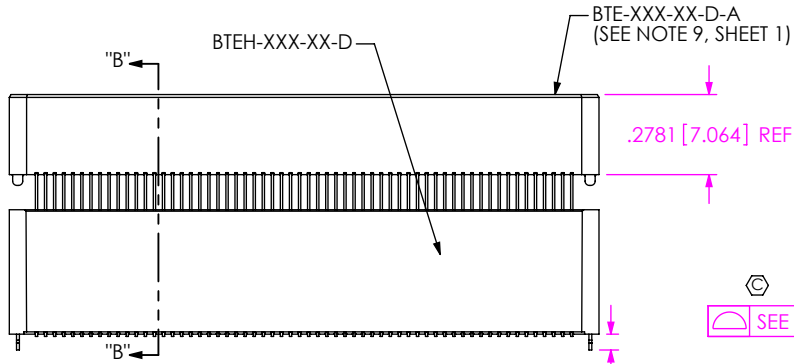
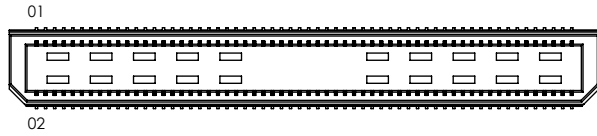
DWG. NO.
BTE-XXX-XX-X-D-XX-X-XX

BY: DEAN P 03/22/1999 SHEET 2 OF 3

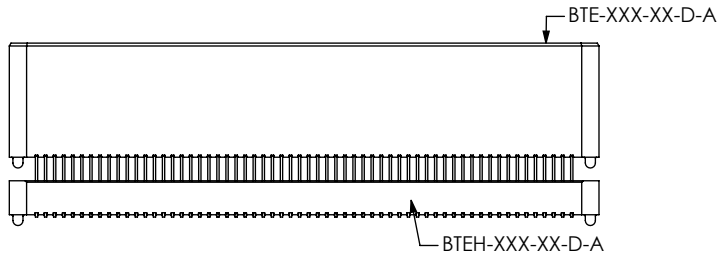
FIG 3

BTE-060-06-X-D-LC SHOWN
[DIFFERENT AS SHOWN, OTHERWISE SAME AS FIG 1]

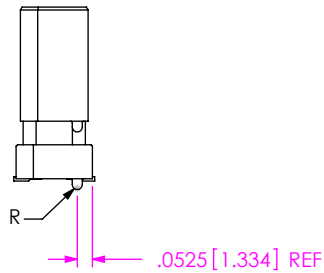
TABLE 4					
STYLE	"B"	TERMINAL	BOTTOM BODY	TOP BODY	MATED HEIGHT WITH BSE
-04	.6010[15.265]	T-1S41-04-X	BTEH-XXX-01-D-X	BTE-XXX-03-D-A	.634 [16.10] REF
-05	.7190[18.263]	T-1S41-05-X	BTEH-XXX-01-D-X	BTE-XXX-03-D-A	.752 [19.10] REF
-06	.8370[21.260]	T-1S51-06-X	BTEH-XXX-03-D-X	BTE-XXX-02-D-A	.867 [22.02] REF
-07	.9542 [24.237]	T-1S61-21-F, T-1S61-21-L, T-1S61-21-H	BTEH-XXX-04-D-X	BTE-XXX-02-D-A	.9842 [25.00] REF
-08	1.1511 [29.238]	T-1S61-22-X	BTEH-XXX-04-D-X	BTE-XXX-02-D-A	1.1811 [30.00] REF
-09	.5224 [13.269]	T-1S60-09-X	BTEH-XXX-01-D-X	BTE-XXX-02-D-A	.551 [14.00] REF



-LC: LOCKING CLIP OPTION

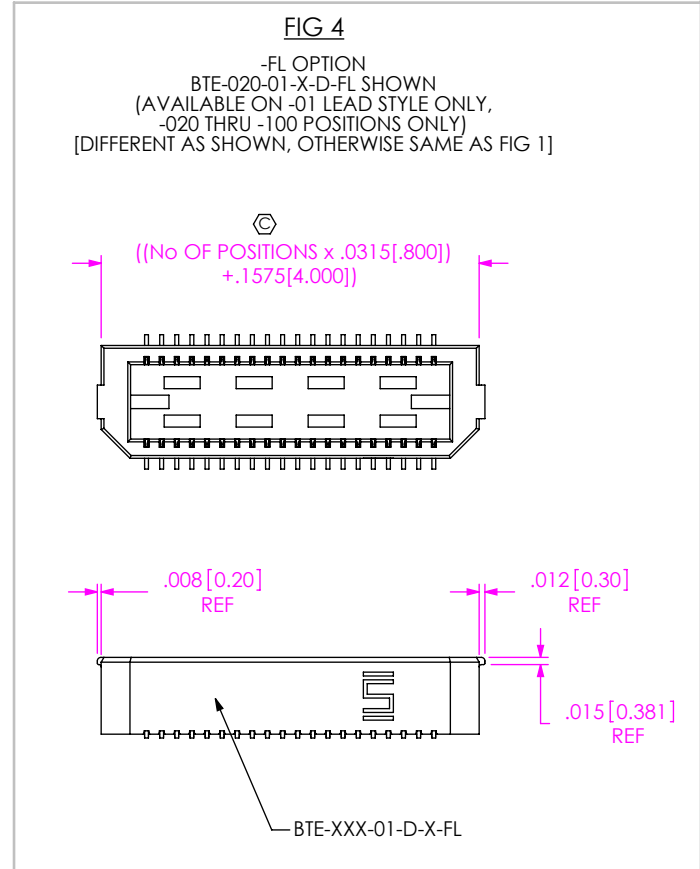


-A: ALIGNMENT PIN OPTION
[STYLE -04, -05, -06, -07, -08 & -09]



SECTION "B"-"B"

"B" ± .003[.08]
.001[.03]
(SEE NOTE 8, SHEET 1)



PROPRIETARY NOTE
THIS DOCUMENT CONTAINS CONFIDENTIAL AND PROPRIETARY INFORMATION AND ALL DESIGN, MANUFACTURING, REPRODUCTION, USE, PATENT RIGHTS AND SALES RIGHTS ARE EXPRESSLY RESERVED BY SAMTEC, INC. THIS DOCUMENT SHALL NOT BE DISCLOSED, IN WHOLE OR PART, TO ANY UNAUTHORIZED PERSON OR ENTITY NOR REPRODUCED, TRANSFERRED OR INCORPORATED IN ANY OTHER PROJECT IN ANY MANNER WITHOUT THE EXPRESS WRITTEN CONSENT OF SAMTEC, INC.



520 PARK EAST BLVD. NEW ALBANY, IN 47150
PHONE: 812-944-6733 FAX: 812-948-5047
e-Mail info@SAMTEC.com code 55322

DO NOT SCALE DRAWING

SHEET SCALE: 1.5:1

DESCRIPTION:
.8mm DOUBLE ROW TERMINAL ASSEMBLY

DWG. NO.
BTE-XXX-XX-X-D-XX-X-XX

BY: DEAN P 03/22/1999 SHEET 3 OF 3