

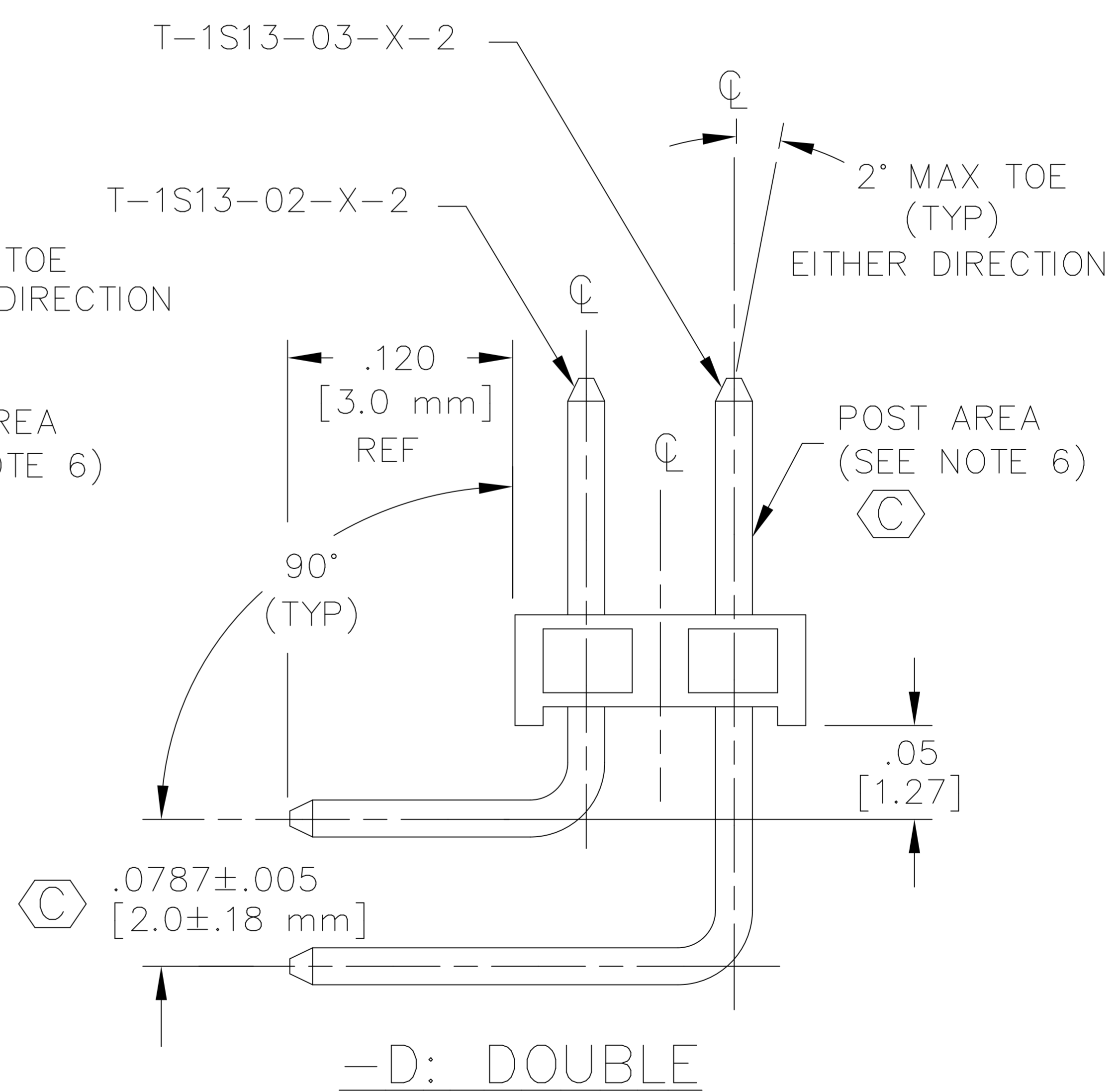
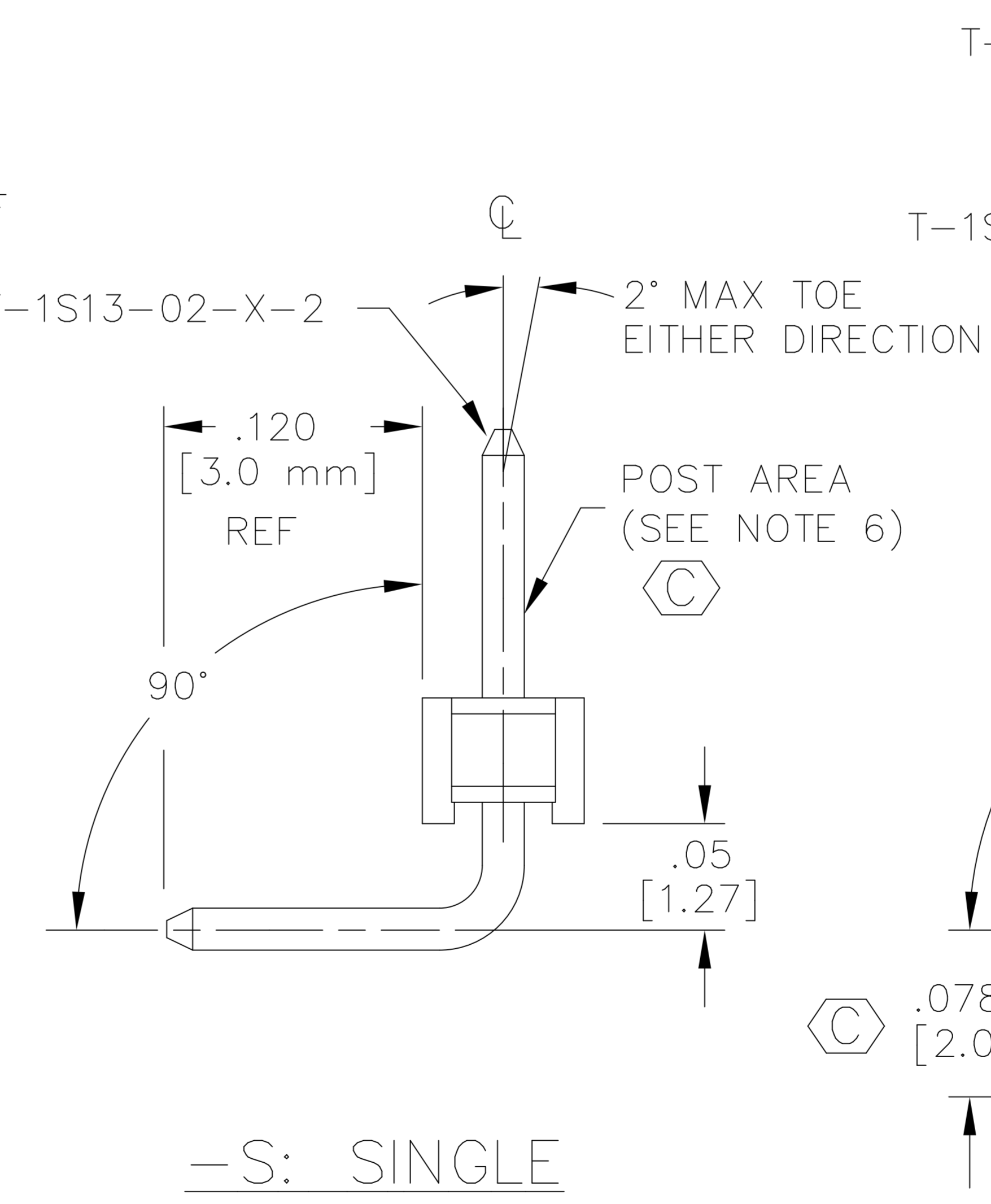
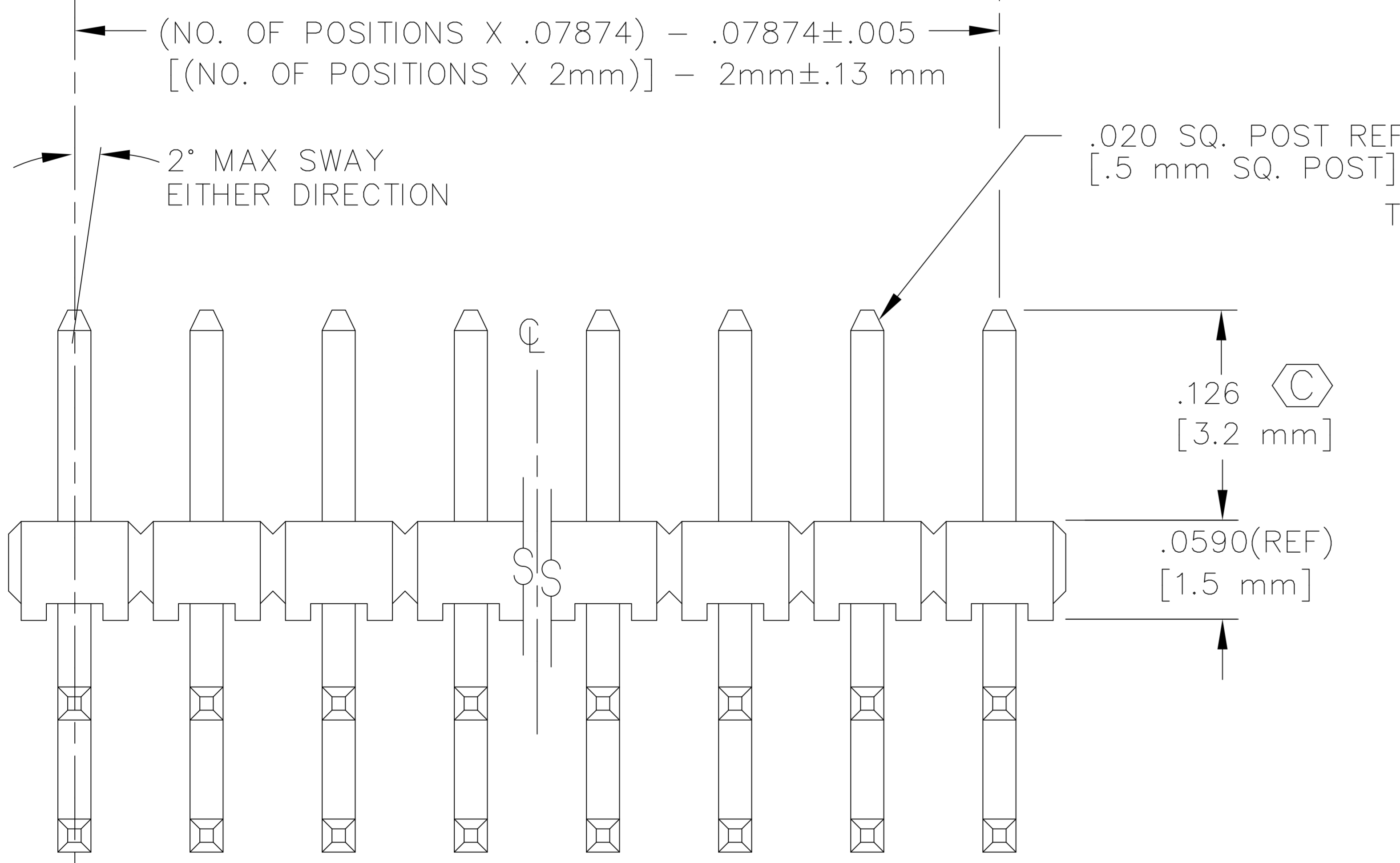
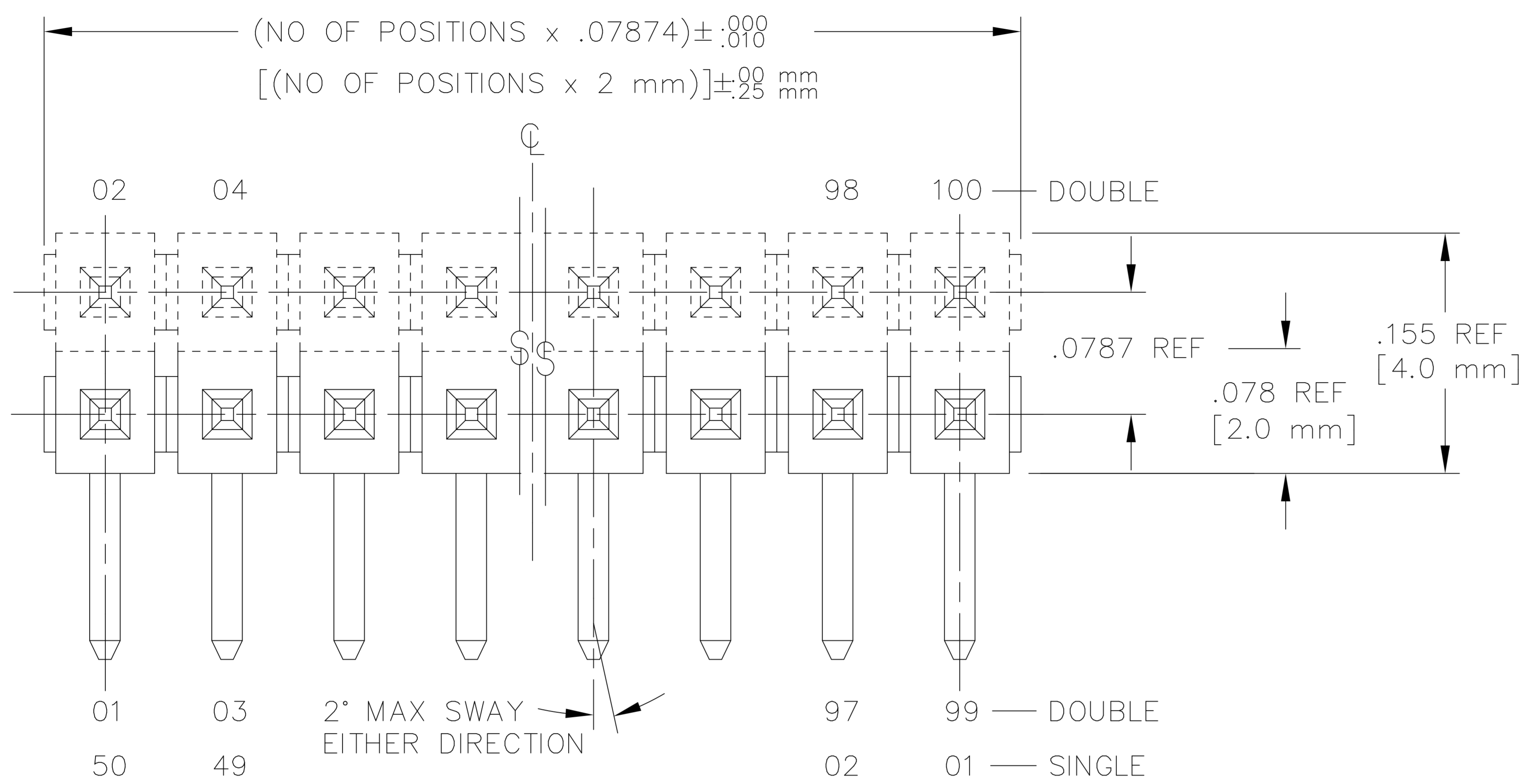
DO NOT SCALE FROM THIS PRINT

UNLESS OTHERWISE NOTED  
 DIMENSIONS ARE IN INCHES TOLERANCES ARE:  
 ONE PLACE DECIMALS ± .1 [2.5mm] THREE PLACE DECIMALS ± .005 [.13mm]  
 TWO PLACE DECIMALS ± .010 [.25mm] FOUR PLACE DECIMALS ± .0020 [.05mm]

TITLE: 2mm TERMINAL STRIP ASSEMBLY (R/A)  
 DWG NO: TMM-1XX-XX-XX-X-RA-XXX  
 SHEET 1 OF 1

TMM-1XX-XX-XX-X-RA-XXX  
 NO. OF POSITIONS PER ROW ———  
 -01 THRU -50  
 OPTION POLARIZATION SPECIFY POS -XXX AS POS TO BE OMITTED  
 OPTION -RA: RIGHT ANGLE  
 BODY SPECIFICATION -S: SINGLE (TMM-50-S) -D: DOUBLE (TMM-50-D)

TERMINAL SPEC -01: USE T-1S13-XX-X-2  
 PLATING SPECIFICATION  
 -G: 10μ" IN CONTACT AREA, 10μ" GOLD ON TAIL  
 -T: MATTE TIN CONTACT AND TAIL  
 -S: 30μ" SELECTIVE GOLD IN CONTACT AREA, MATTE TIN ON TAIL  
 -L: 10μ" LIGHT SELECTIVE GOLD IN CONTACT AREA, MATTE TIN ON TAIL  
 -F: 3μ" FLASH SELECTIVE GOLD IN CONTACT AREA, MATTE TIN ON TAIL  
 -H: 30μ" HEAVY GOLD IN CONTACT AREA, 3μ" GOLD ON TAIL  
 -TM: MATTE TIN CONTACT AND TAIL  
 -LM: 10μ" LIGHT SELECTIVE GOLD IN CONTACT AREA, MATTE TIN ON TAIL  
 -FM: 3μ" FLASH SELECTIVE GOLD IN CONTACT AREA, MATTE TIN ON TAIL  
 -SM: 30μ" SELECTIVE GOLD IN CONTACT AREA, MATTE TIN ON TAIL



- NOTES:
1. MAX. ALLOWABLE BOW: .005 IN/IN AFTER ASSEMBLY.
  2. MAX. PIN ROTATION IN BODY: 2°
  3. PUSHOUT FORCE SHALL BE 1 lb MIN.
  4. Ⓢ REPRESENTS A CRITICAL DIMENSION FOR STATISTICAL PROCESS CONTROL USE.
  5. ALL DIMENSIONS IN BRACKETS [ ] TO BE MILLIMETERS.
  6. NO BANDOLIER MARKS ARE ALLOWED IN THE POST AREA.
  7. MAX CUT FLASH: .010 [.25]
  8. PIN NOT ALLOWED TO FILL FROM TAIL SIDE. PIN TO BE FILLED FROM POST SIDE.

**PROPRIETARY NOTE**  
 THIS DOCUMENT CONTAINS INFORMATION CONFIDENTIAL AND PROPRIETARY TO SAMTEC INC. AND SHALL NOT BE REPRODUCED OR TRANSFERRED TO OTHER DOCUMENTS OR DISCLOSED TO OTHERS OR USED FOR ANY PURPOSE OTHER THAN THAT FOR WHICH IT WAS OBTAINED WITHOUT THE EXPRESSED WRITTEN CONSENT OF SAMTEC INC.

EXISPROD\ASSEMBLY\2mm TMM-RA

**samtec**

520 PARK EAST BLVD. NEW ALBANY, INDIANA 47150  
 PHONE (812) 944-6733 P.O. BOX 1147  
 CODE 55322

MADE BY: REIDINGER 5-22-91  
 CHECKED BY: McCARTIN  
 ENG. APPROVAL: DEM  
 TMM-1XX-XX-XX-X-RA-XXX  
 SHEET 1 OF 1

# Mouser Electronics

Authorized Distributor

Click to View Pricing, Inventory, Delivery & Lifecycle Information:

[Samtec:](#)

[TMM-105-01-SM-D-RA](#) [TMM-148-01-T-S-RA](#) [TMM-112-01-FM-D-RA](#) [TMM-132-01-FM-D-RA](#)