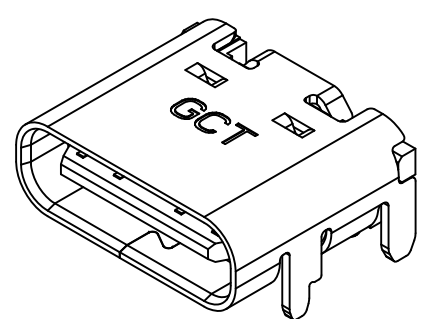
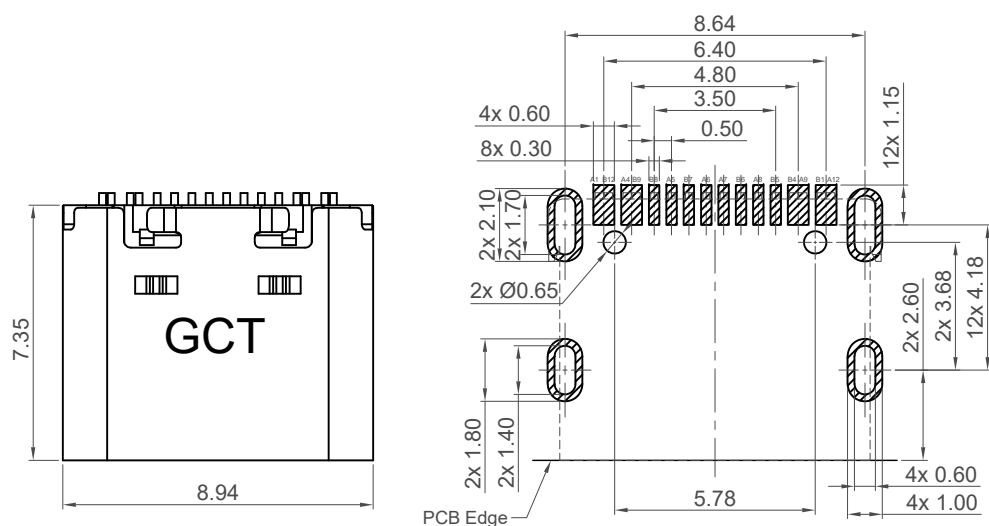


H
G
F
E
D
C
B
A



Pin	Signal	Mating Sequence	Pin	Signal	Mating Sequence
A1	GND	First	B12	GND	First
A4	Vbus	First	B9	Vbus	First
A5	CC1	Second	B8	SBU2	Second
A6	Dp1	Second	B7	Dn2	Second
A7	Dn1	Second	B6	Dp2	Second
A8	SBU1	Second	B5	CC2	Second
A9	Vbus	First	B4	Vbus	First
A12	GND	First	B1	GND	First
SHELL		GND	SHELL		GND

Recommended PCB Layout
As viewed from component side Tolerance: ±0.05mm

▨ Solder Area □ Component Outline

Specifications

Material
Insulator: LCP, UL 94V-0, Black
Contact: Copper Alloy
Shell: Stainless steel
Mid Plate: Stainless Steel

Plating

Contact:
Contact Area: See Ordering Grid
Solder Tails: Gold Flash
Underplating: 50µ" min. Nickel All Over
Shell: 30µ" min. Nickel
Mid Plate: Clear

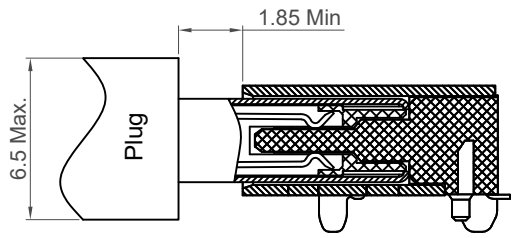
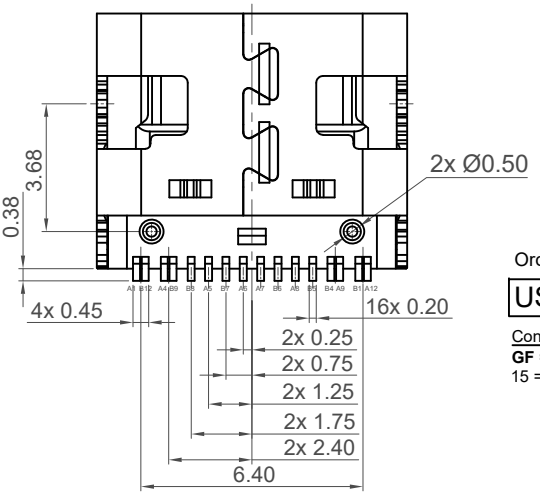
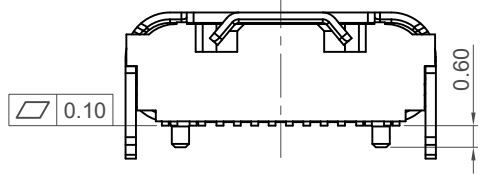
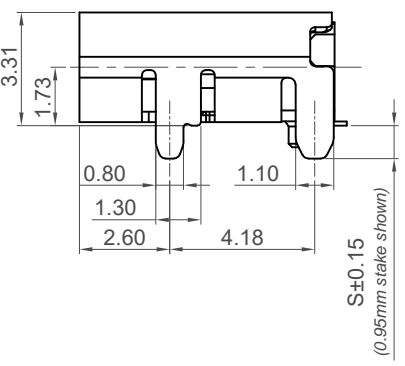
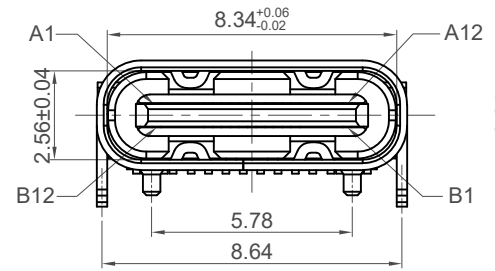
Electrical

Current Rating: 5.00A collectively for Vbus pins
6.25A collectively for GND pins
1.25A for A5/B5 pin
0.25A per pin for all other pins

Voltage Rating: 48V DC
Power Rating: 240W
Contact Resistance: 40mΩ max. initial.
50mΩ max. after test
Dielectric Withstanding Voltage: 100V AC
Insulation Resistance 100MΩ min.

Mechanical & Environmental

Operating Temperature: -40°C to +85°C
Mating Force: 5 to 20 N.
Unmated Force: 6 to 20 N after test
Durability: 20,000 cycles



Plug and Receptacle Mating View

Ordering Grid

USB4105 - XX - A - XXX

Contact Plating
GF = Gold Flash (standard)
15 = 15µ" Gold

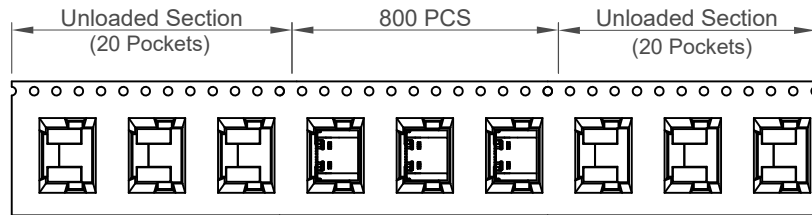
Shell Stake Length "S"
Blank = 0.95mm
060 = 0.60mm
120 = 1.20mm

Packing Options
A = Tape & Reel

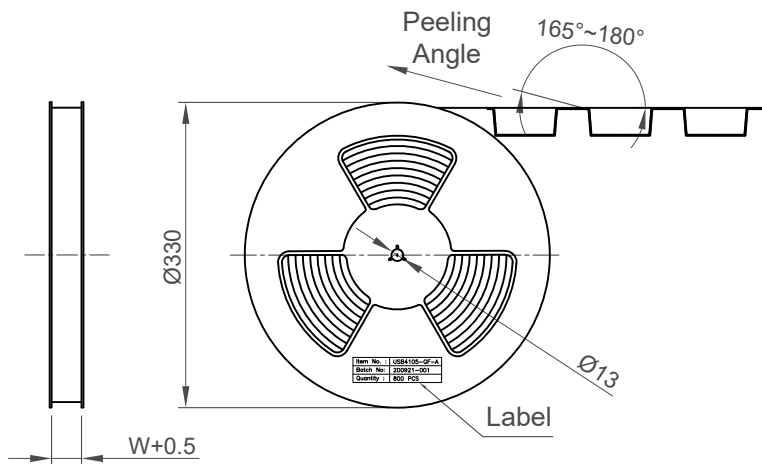
Request Samples and Quotation

Part Number		Product Description			
USB4105		USB Type C Receptacle for USB 2.0			
Drawing Date		SMT Type, PCB Top Mount			
4th October 2019					
By	CC	Tolerances (Except as Noted)		Units:	
Detail	USB4105 B PCN	Length	Angle	Metric (mm)	
Revision	B3	X. ± 0.38	X ± 2°		
Date	24/02/23	X.X ± 0.30	X.XX ± 1°		
		X.XXX ± 0.10	X.XX ± 1°		
<p>This drawing is confidential and copyright of Global Connector Technology, Ltd (GCT). This drawing must not be copied or disclosed without written consent. E & OE</p>					
Not to Scale		Drawn By	CC	Sheet No. 1/2	

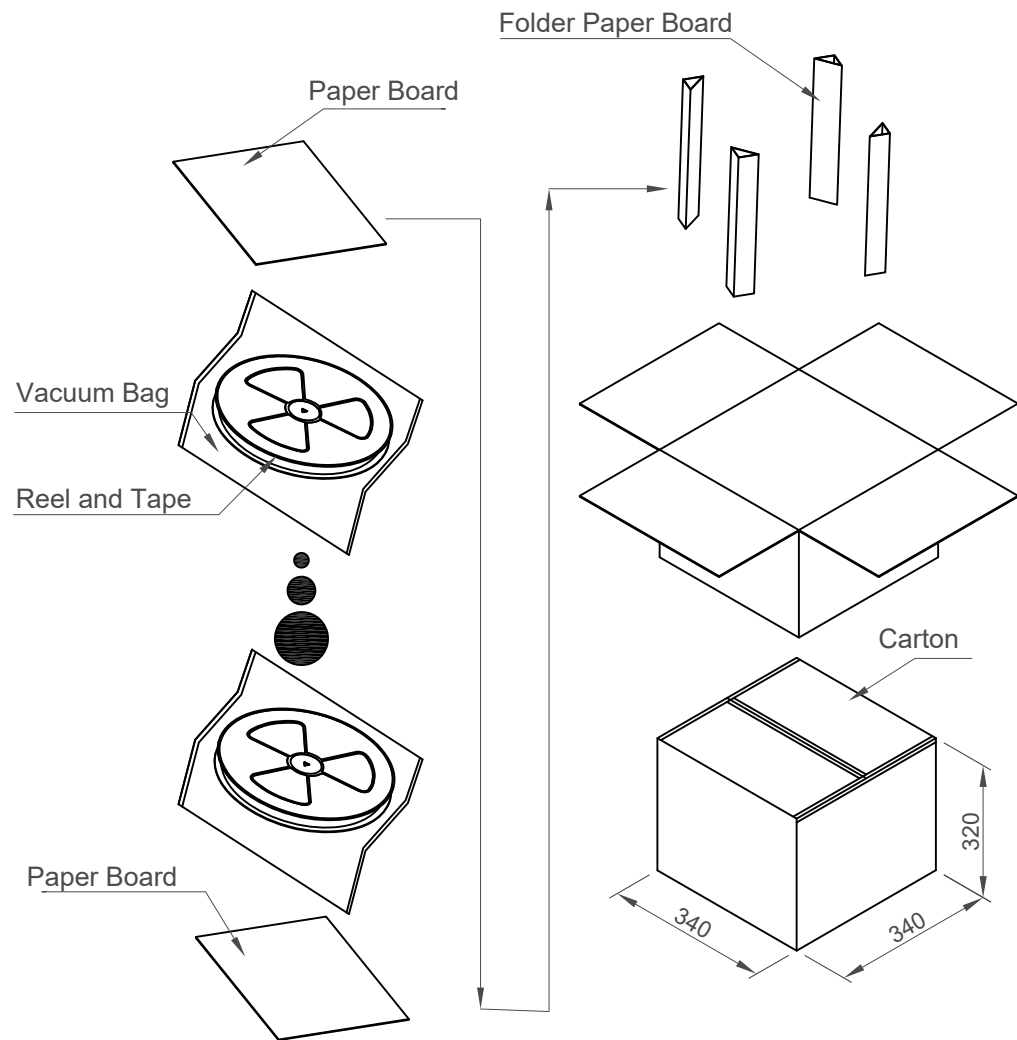
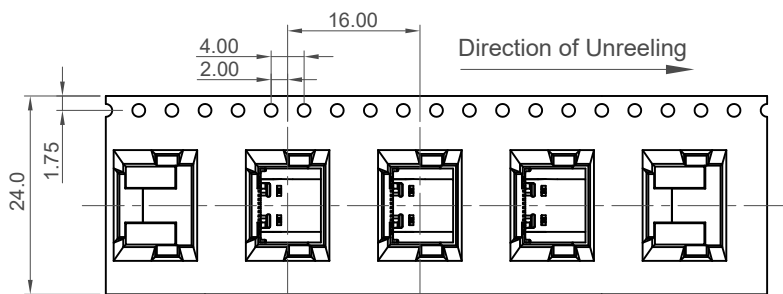




Direction of Unreeling



Item No. | USB4105-CP-1
Batch No. | 201910-001
Quantity | 800 PCS



Pcs / Reel	Reels / Carton	Total Quantity
800	10	8000 pcs

Part Number		Product Description	
USB4105		USB Type C Receptacle for USB 2.0	
Drawing Date		SMT Type, PCB Top Mount	
4th October 2019			
By	CC	Tolerances (Except as Noted)	Units:
Detail	USB4105 B PCN	Length	Metric (mm)
Revision	B3	Angle	
Date	24/02/23		



This drawing is confidential and copyright of Global Connector Technology, Ltd (GCT). This drawing must not be copied or disclosed without written consent. E & OE



Not to Scale
Drawn By CC
Sheet No. 2/2