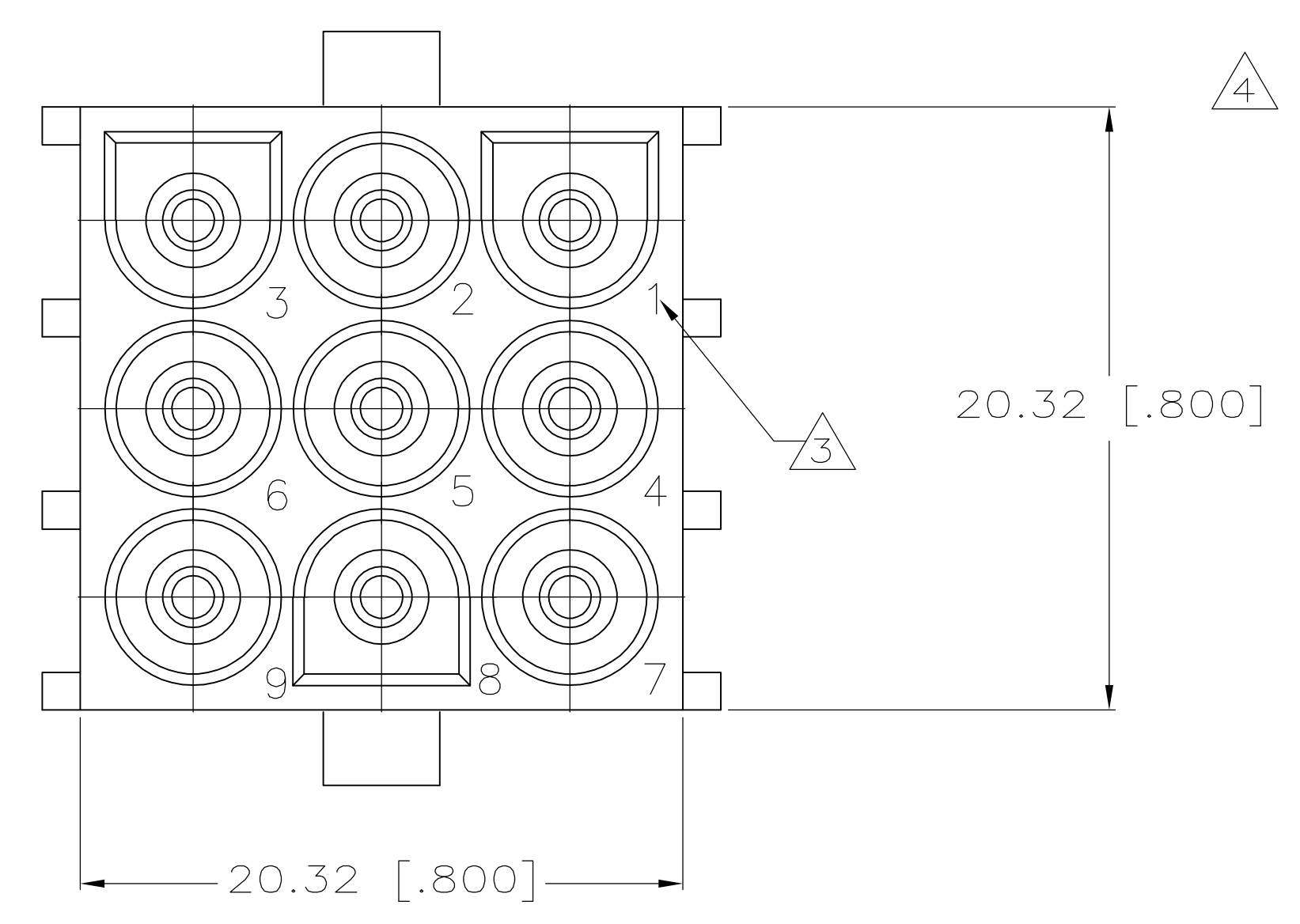
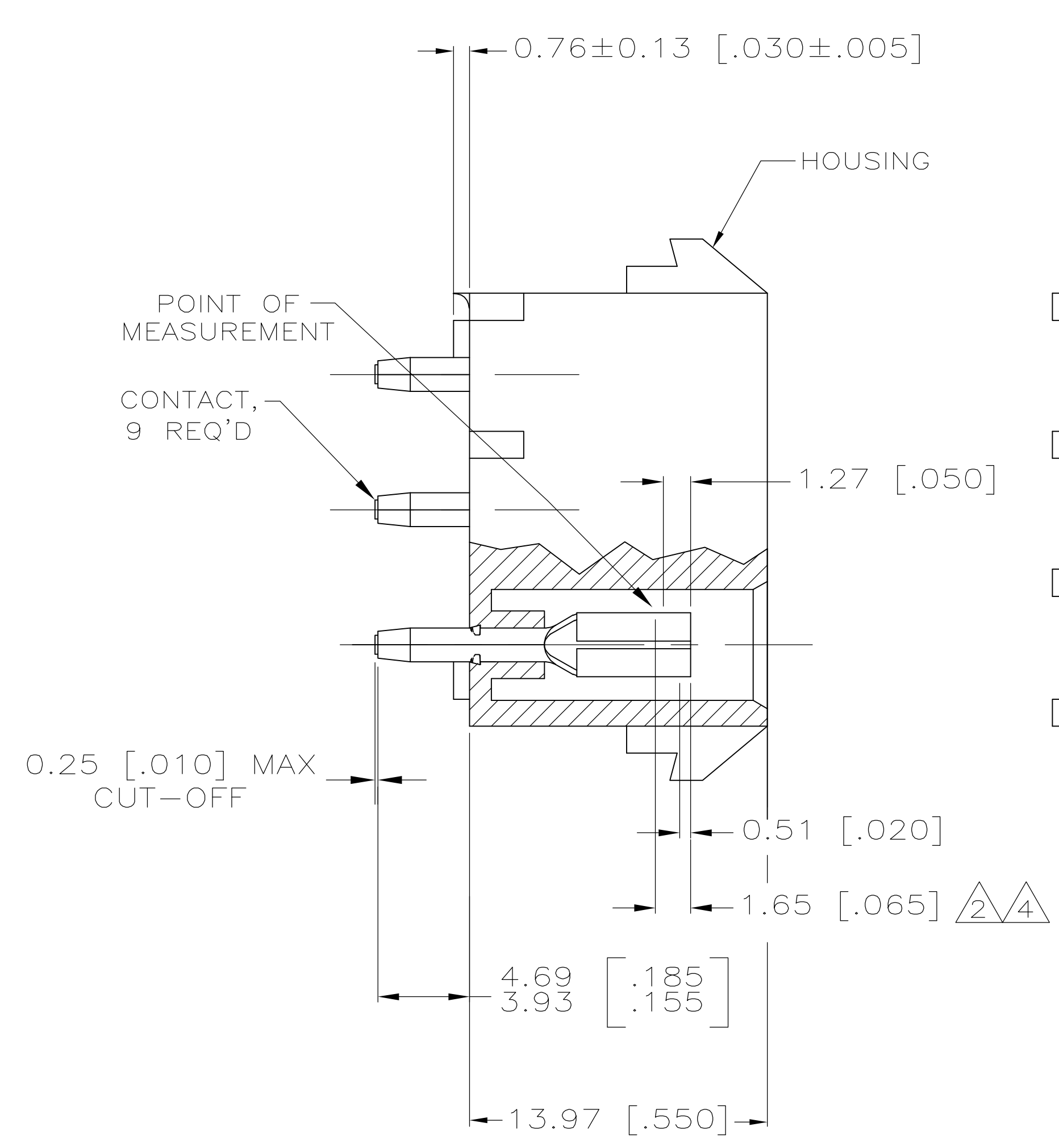
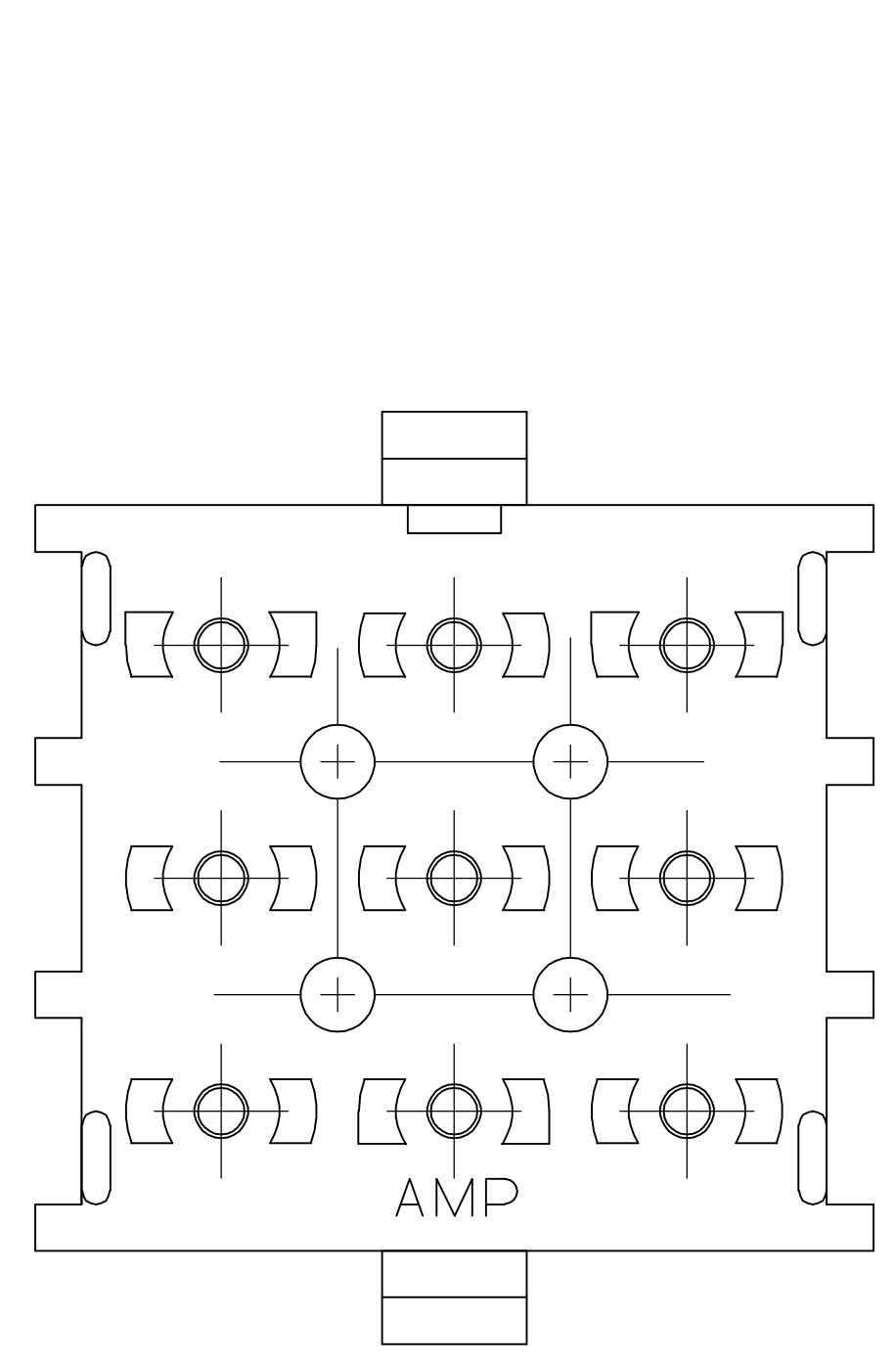
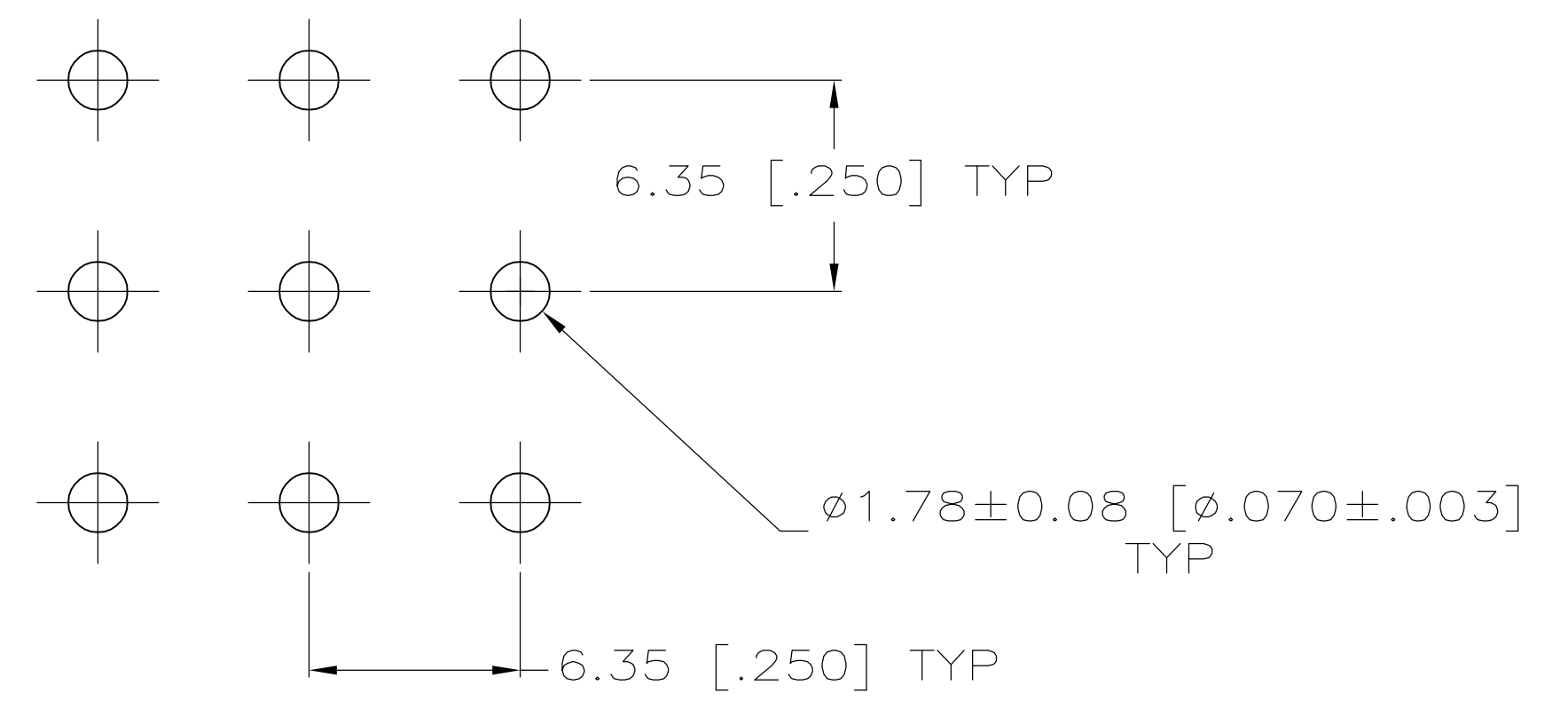


LOC		DIST		REVISIONS			
CM	00	REV	DATE	BY	APP'D	DATE	BY
		L	12OCT05	KW	SR		



- PARTS MUST COMPLY WITH AMP SOLDERABILITY SPEC 109-11-3.
- CONTACT IS STAMPED FROM PRE-PLATED STOCK WHICH IS PLATED OVERALL WITH 0.00127 [.000050] NICKEL, THEN STRIPED WITH 0.00076 [.000030] GOLD IN CONTACT AREA INDICATED AND TIN-LEAD ON SOLDER TAIL END.
- CIRCUIT IDENTIFICATION CHARACTERS ARE ADJACENT TO THE INDICATED CAVITIES, BUT LOCATION AND ORIENTATION MAY DIFFER FROM PRINT.
- CONTACT IS PLATED OVERALL WITH 0.00127 [.000050] NICKEL, THEN 0.00076 [.000030] GOLD OVER CONTACT LENGTH INDICATED AND MATTE TIN ON SOLDER TAIL END.



RECOMMENDED LAYOUT FOR 1.58 [.062] THICK PC BOARD

PH BRZ GOLD $\Delta 4$	NYLON, NATURAL	350763-5
PH BRZ TIN	NYLON, NATURAL	350763-4
PH BRZ GOLD $\Delta 2$	NYLON, NATURAL	350763-3
CONTACT	HOUSING	PART NO

THIS DRAWING IS A CONTROLLED DOCUMENT.

DIMENSIONS: mm [INCHES]	TOLERANCES UNLESS OTHERWISE SPECIFIED: 0 PLC ± 1 PLC ± 2 PLC ± 3 PLC ± 0.13 [.005] 4 PLC ±	FINISH: ANGLES ± SEE TABLE	DWG: K. WHITAKER 11OCT2005 CHK: S. RIDGILL 11OCT2005 APP'D: S. RIDGILL 11OCT2005	Tyco Electronics Corporation Harrisburg, PA 17105-3608
MATERIAL: SEE TABLE	APPLICATION SPEC: —	WEIGHT: —	NAME: 9 CIRCUIT UNIVERSAL MATE-N-LOK (TM) P.C. BOARD SOCKET HEADER ASSEMBLY	RESTRICTED TO:
	CUSTOMER DRAWING	SCALE: 5:1	SIZE: A1 CAGE CODE: 00779 DRAWING NO: 350763	SHEET 1 OF 1 REV L

