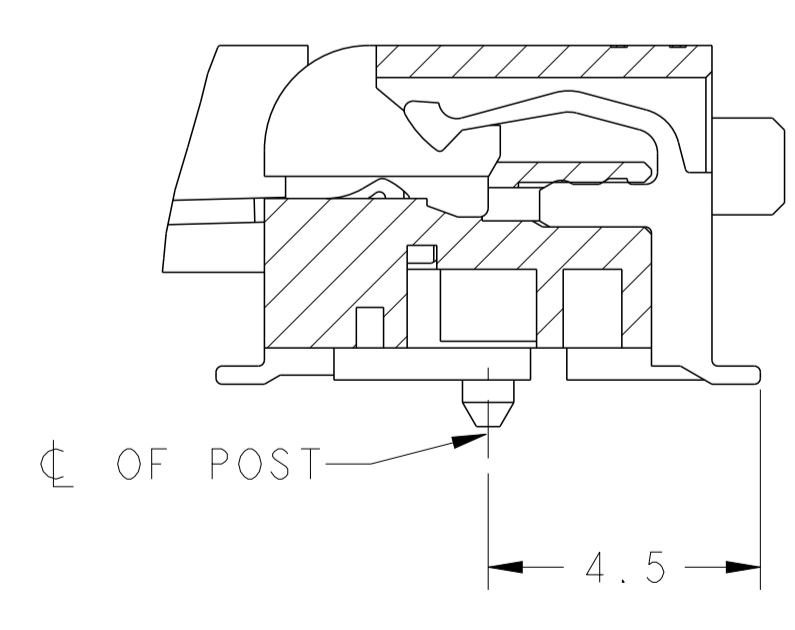
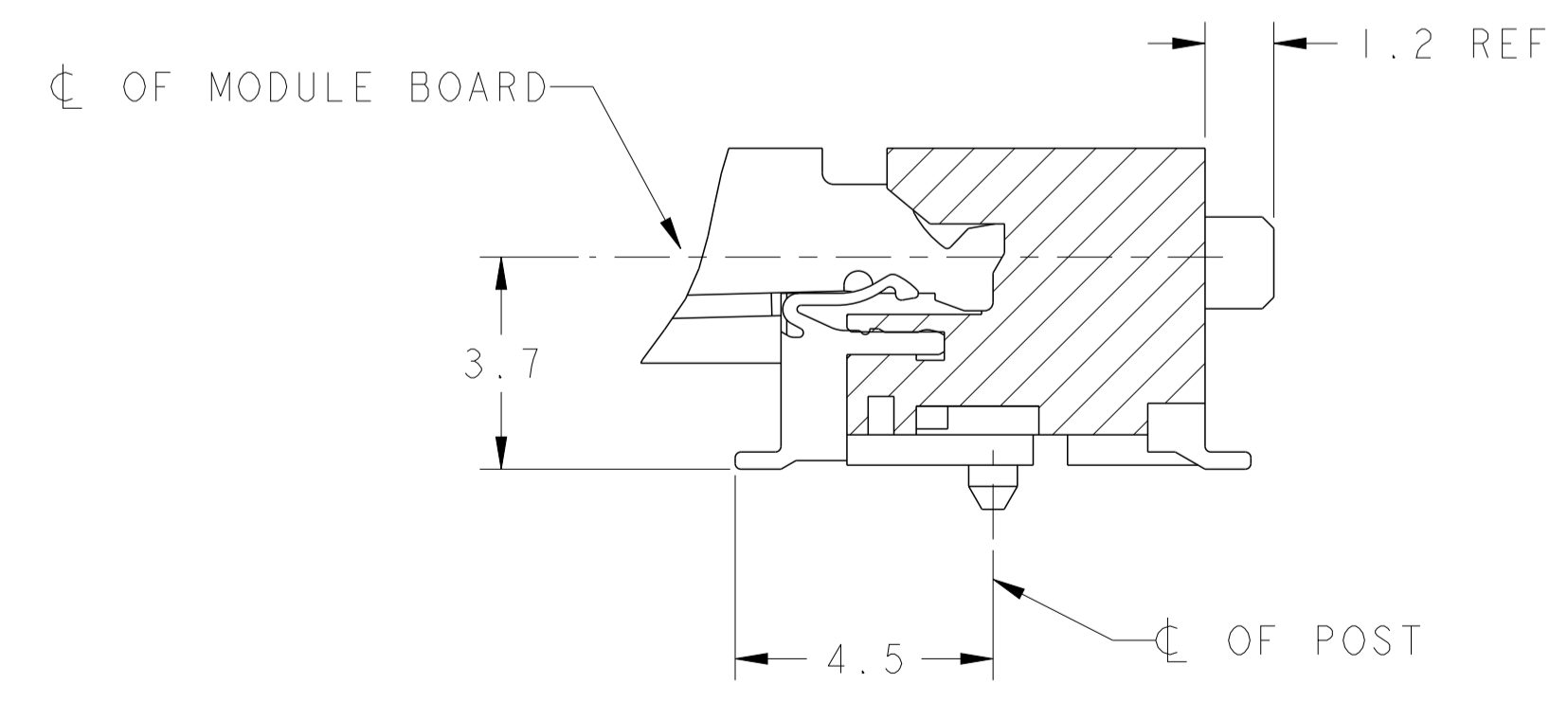
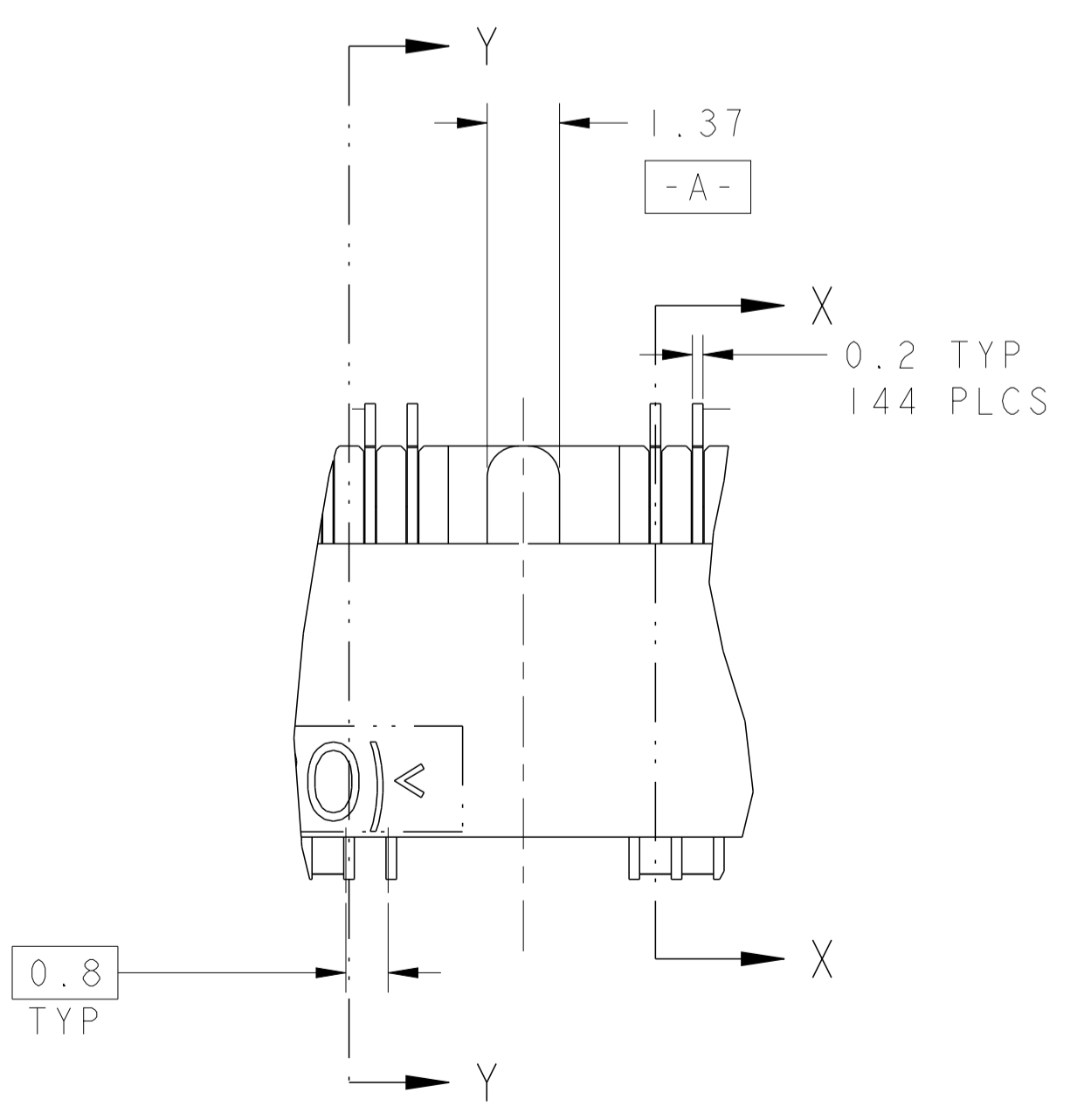
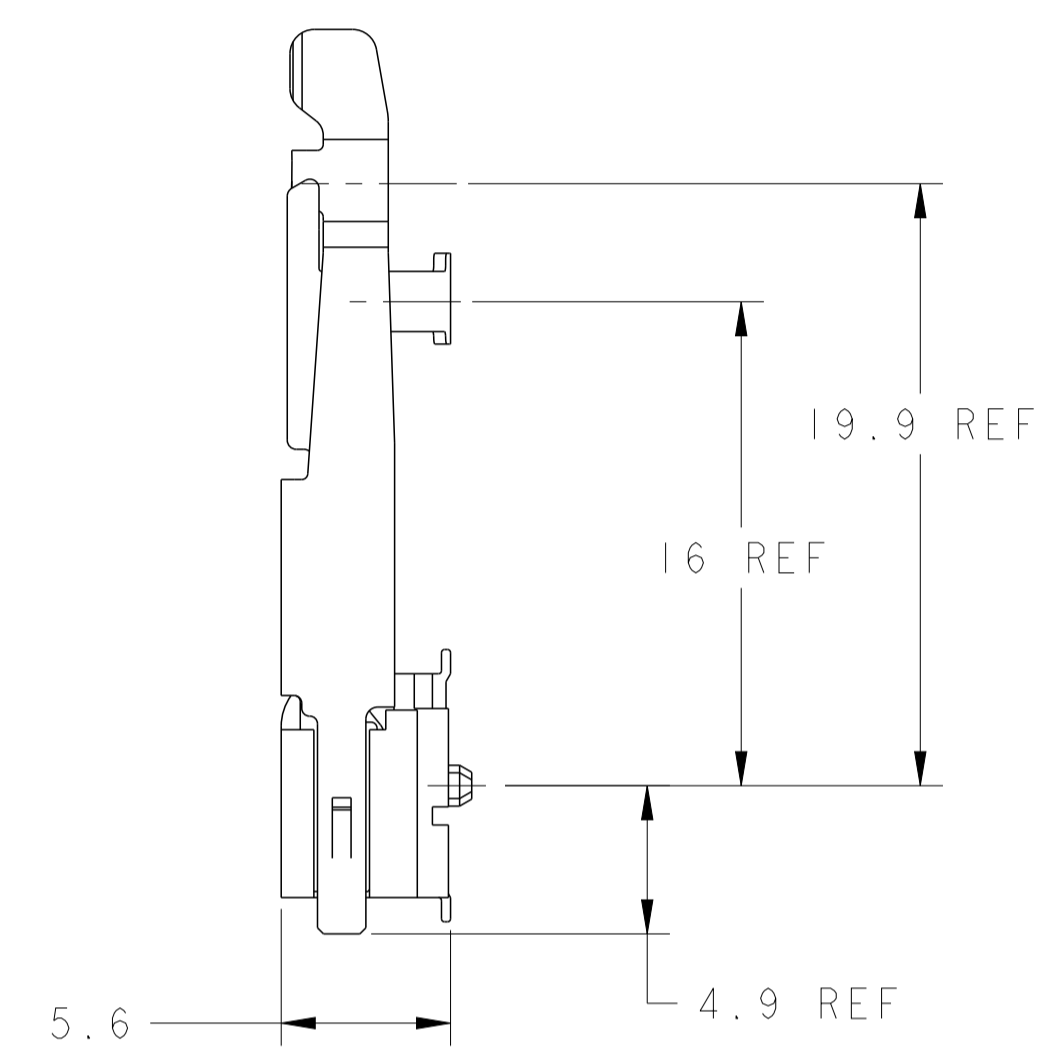
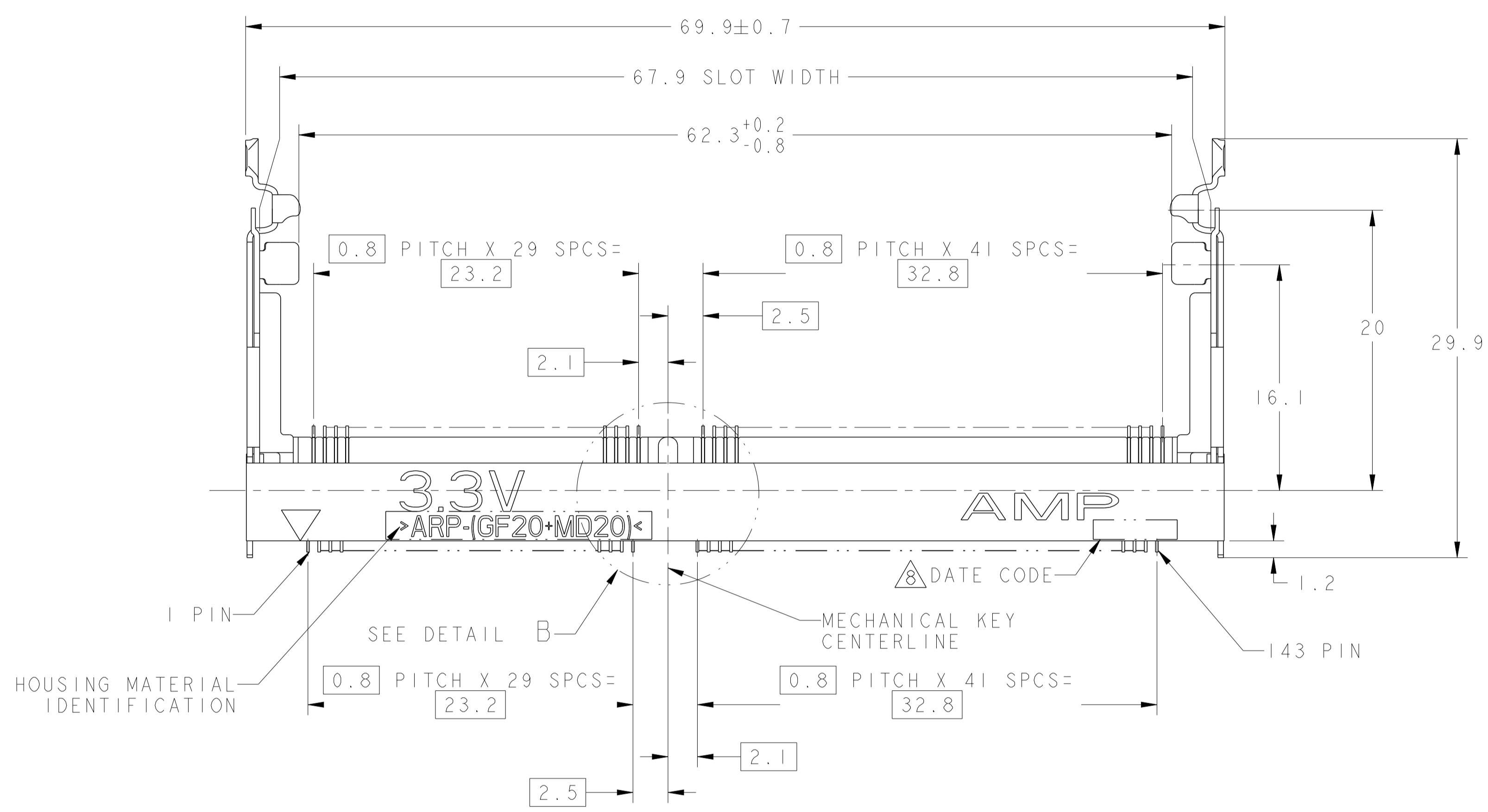
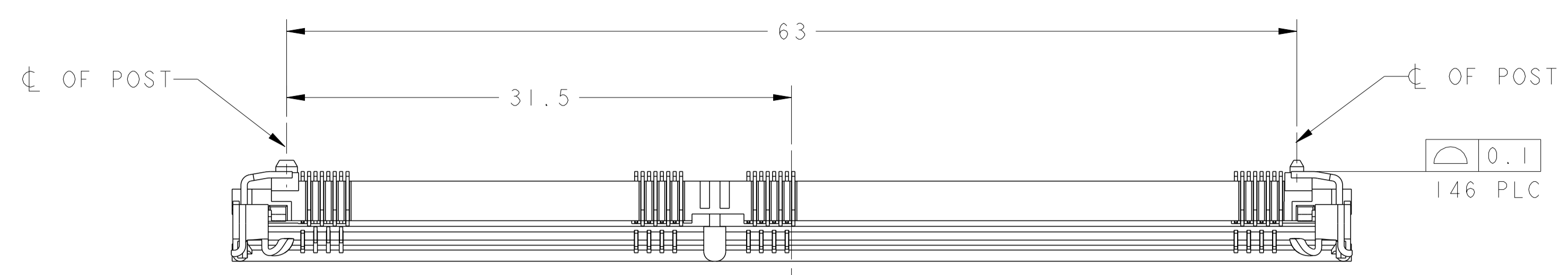


LOC		DIST		REVISIONS			
F	LTR	DESCRIPTION	DATE	OWN	APPRO		
R		REVISED PER ECR-10-007858	13APR2010	SYJ	LSF		



- 1 MATERIAL, HIGH TEMPERATURE PLASTIC, UL94V-0  
CONTACT: COPPER ALLOY  
LATCH: STAINLESS STEEL, TIN PLATING.
- 2 FINISH; CONTACT AREA: 0.00025 MIN GOLD PLATE ON 0.001 MIN ALL OVER NICKEL  
SOLDERING AREA: 0.00005 MIN TO 0.00030 MAX GOLD PLATE
- 3. TOLERANCES NON-ACCUMULATIVE.
- 4 PACKAGED IN HARD TRAY.
- 5 FINISH; CONTACT AREA: 0.00025 MIN GOLD PLATE ON 0.001 MIN ALL OVER NICKEL  
SOLDERING AREA: BRIGHT TIN LEAD PLATE.
- 6 PART PACKAGED PER EIA-1S704 STANDARD. REEL DIAMETER SHALL BE 330mm, TAPE WIDTH SHALL BE 88mm, AND TAPE PITCH SHALL BE 36mm.
- 7 LATCH PLATING: TIN-LEAD FOR P/N: 8-390112-1 ONLY (IDENTICAL TO PREVIOUS P/N: 390112-1)
- 8 DATE CODE (4-DIGITS), LOCATED AS SHOWN. TO BE INTERPRETED AS FOLLOWS:  
DIGIT # 1 - LAST DIGIT OF YEAR.  
DIGITS # 2 AND # 3 - CALENDAR WEEK.  
DIGIT # 4 - DAY OF THE WEEK (WITH SUNDAYS AS DAY 1).

SUPERSEDED BY	REMARKS	COLOR	FINISH	POS	PART NO.
NIL	AVAILABLE	NATURAL	1	144	8-390112-1
NIL	AVAILABLE	BLACK	2	144	7-390112-1
NIL	AVAILABLE	NATURAL	2	144	6-390112-1
3-390112-1	NOT AVAILABLE	NATURAL	5	144	3-390112-4
NIL	AVAILABLE	NATURAL	2	144	3-390112-1
390112-1	NOT AVAILABLE	NATURAL	5	144	390112-4
NIL	AVAILABLE	NATURAL	2	144	390112-1

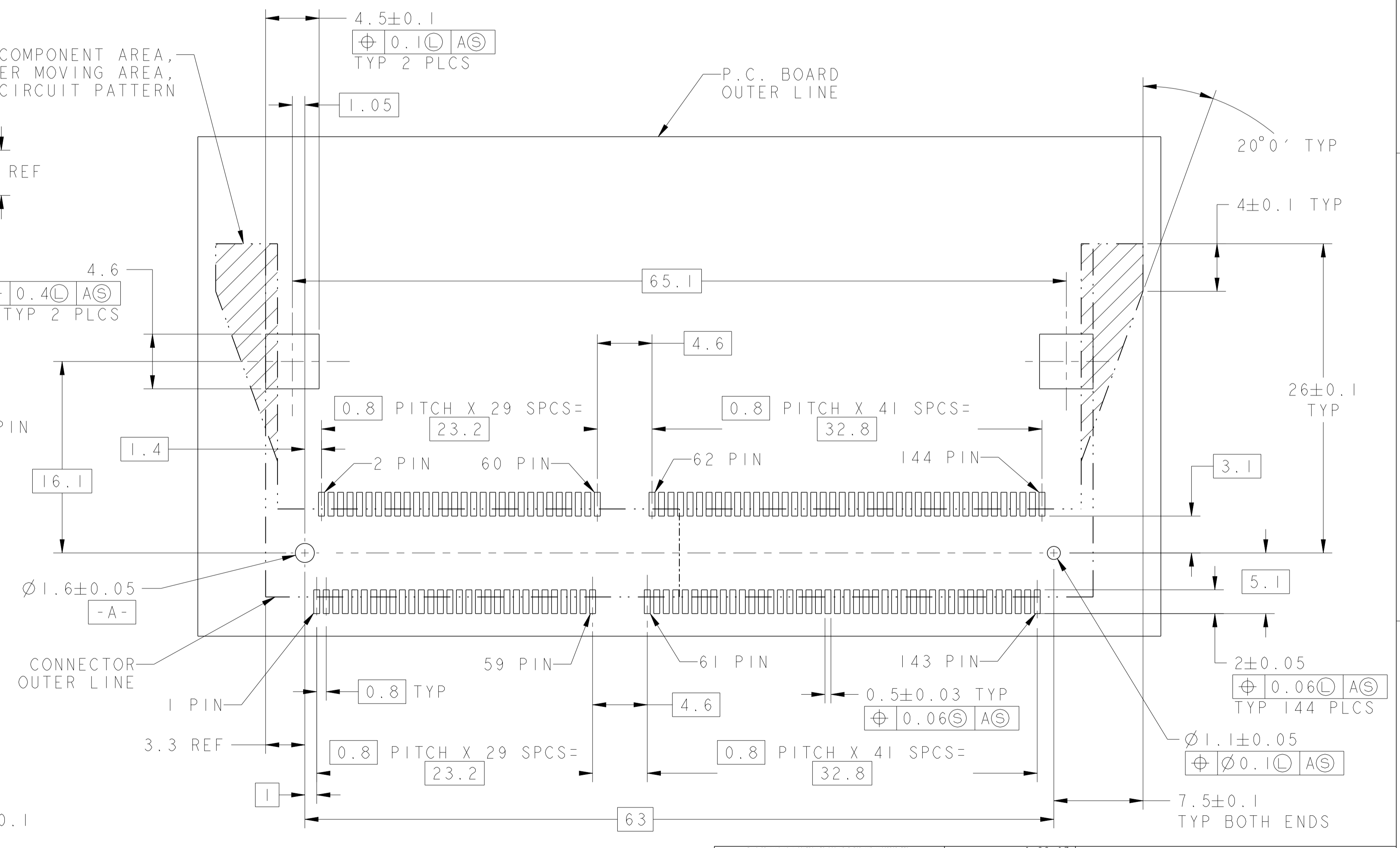
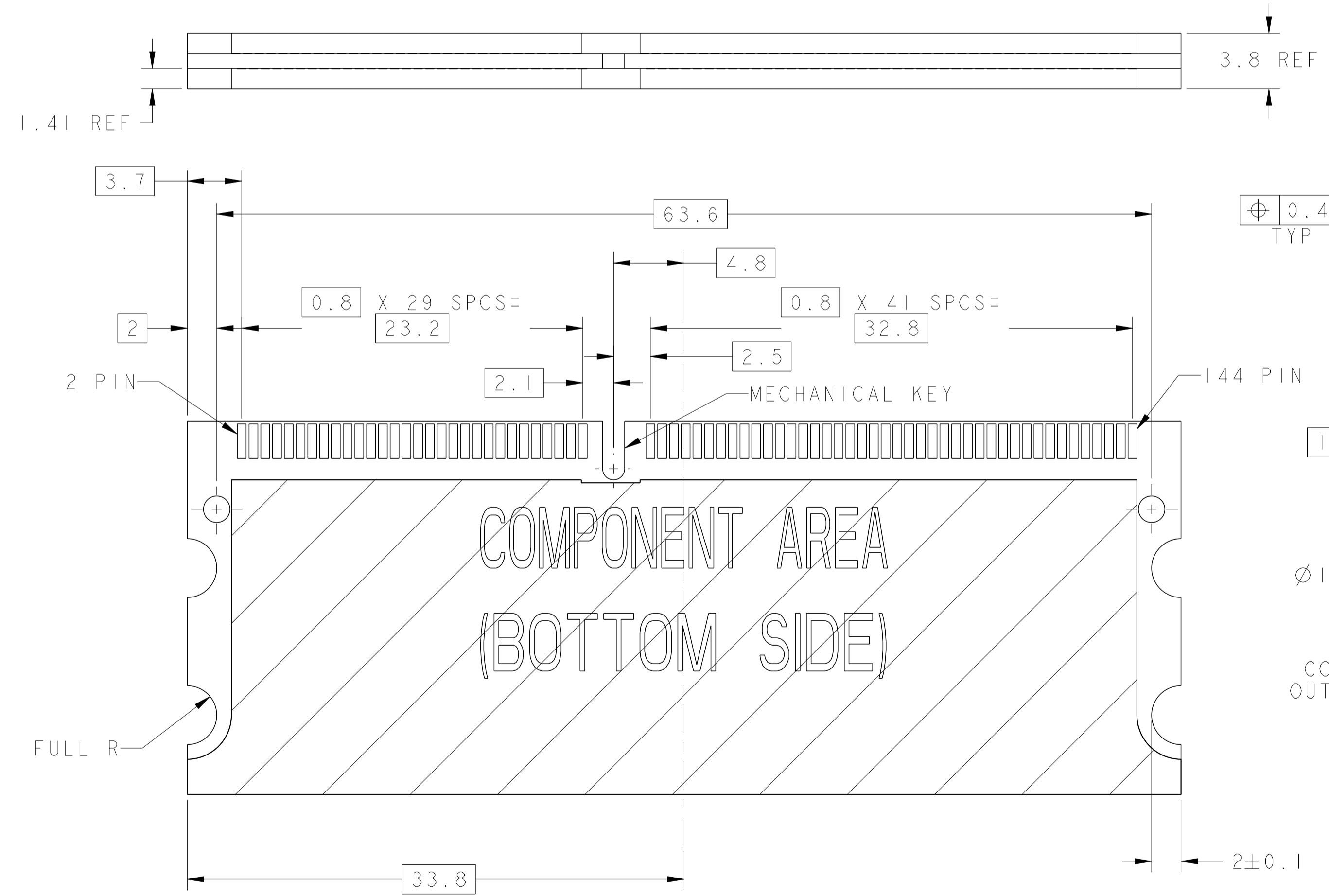
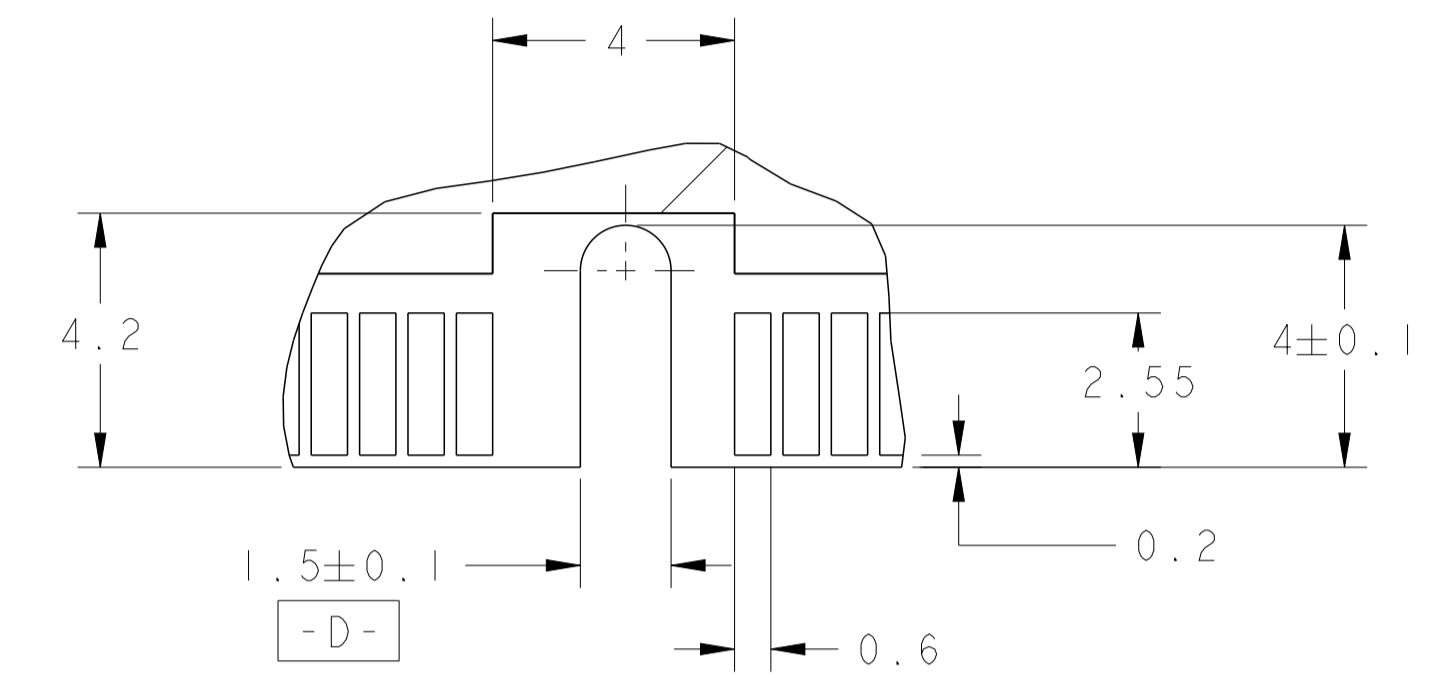
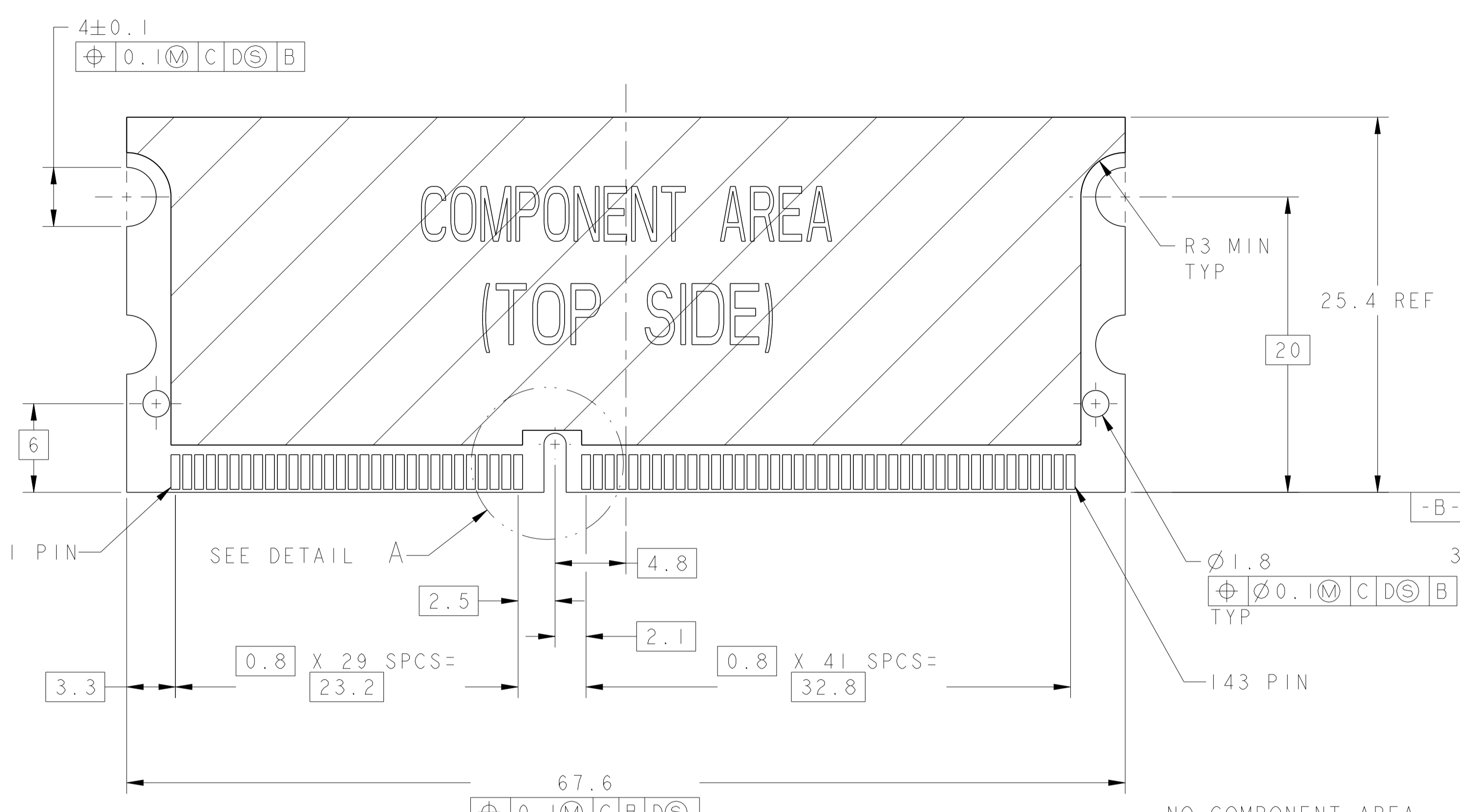
DETAIL B SCALE 8:1

SECTION X-X ROTATED 90° CCW SCALE 8:1

SECTION Y-Y ROTATED 90° CCW SCALE 8:1

<small>THIS DRAWING IS A CONTROLLED DOCUMENT FOR AMP INCORPORATED. ALL RIGHTS RESERVED. ANY REPRODUCTION OR TRANSMISSION OF THIS DRAWING WITHOUT THE WRITTEN PERMISSION OF AMP INCORPORATED IS PROHIBITED.</small>		DWN: W. SORAH 6-23-97 CHK: ALAN ANG 01-21-02	TYCO ELECTRONICS SINGAPORE
DIMENSIONS: mm TOLERANCES UNLESS OTHERWISE SPECIFIED: 0 PLC ±0.2 1 PLC ±0.2 2 PLC ±0.2 3 PLC ±0.2 4 PLC ±0.2 ANGLES ±°	TOLERANCES UNLESS OTHERWISE SPECIFIED: 0 PLC ±0.2 1 PLC ±0.2 2 PLC ±0.2 3 PLC ±0.2 4 PLC ±0.2 ANGLES ±°	NAME: SE LEONG PRODUCT SPEC: 108-1739 APPLICATION SPEC: 114-1114	NAME: S.O. DIMM SOCKET ASSY, 0.8mm, 3.3V, 144 POSITION, HIGH PROFILE FOR SDRAM TYPE MODULE SIZE: A1 CAGE CODE: 00779 DRAWING NO: 390112
MATERIAL: SEE TABLE	FINISH: SEE TABLE	WEIGHT: -	RESTRICTED TO: -
CUSTOMER DRAWING		SCALE: 4:1	SHEET 1 OF 2 REV R

LOC	DIST	REV	DATE	BY	CHKD	APPRO
DY	-	-	-	-	-	-
REVISIONS						
DESCRIPTION						
SEE SHEET 1						



<small>THIS DRAWING IS A CONTROLLED DOCUMENT FOR AMP INCORPORATED AND IS SUBJECT TO CHANGE. THE CONTROL ENGINEERING ORGANIZATION SHOULD BE CONTACTED FOR THE LATEST REVISION.</small>		DWN: W. SORAH 6-23-97 CHK: ALAN ANG 1-21-02 APVD: SE LEONG PRODUCT SPEC: 108-1739 APPLICATION SPEC: 114-1114 WEIGHT: - CUSTOMER DRAWING	TYCO ELECTRONICS SINGAPORE NAME: S.O. DIMM SOCKET ASSY, 0.8mm, 3.3V, 144 POSITION, HIGH PROFILE FOR SDRAM TYPE MODULE SIZE: A1 CAGE CODE: 00779 DRAWING NO: 390112 SCALE: 4:1 SHEET: 2 OF 2 REV: R
DIMENSIONS: mm TOLERANCES UNLESS OTHERWISE SPECIFIED: 0 PLC ±0.2 1 PLC ±0.2 2 PLC ±0.2 3 PLC ±0.2 4 PLC ±0.2 ANGLES ±°	FINISH: SEE TABLE	MATERIAL:	RESTRICTED TO: -