

NOTES

1. 一般公差: ±0.5
GENERAL TOLERANCES: ±0.5
2. 反り: 2MAX.
WARP: 2MAX.
3. 1トレイの梱包数: 60個
QUANTITY IN ONE TRAY: 60 PCS.
4. 標準梱包数: 300個
STANDARD PACKAGING QUANTITY: 300 PCS.
5. トレイは、180° 反転させ交互に重ねる。
TRAYS SHOULD BE PILED ALTERNATELY.

500254-1941
500254-1931
適用製品番号 APPLICABLE PART No.

MATERIAL

POLYSTYRENE SHEET (t=1.0)
WHITE

REVISED ECNO: J2005-1358 DRAWN: KTOYODA 2004/11/30 CHKD: NUKITA 2004/11/30 APPR: NUKITA 2004/12/06	GENERAL TOLERANCES (UNLESS SPECIFIED)		DIMENSION STYLE MM ONLY		SCALE 2:1	DESIGN UNITS METRIC	THIRD ANGLE PROJECTION
	10 UNDER	± ---	DRAWN BY T. HARUYAMA	DATE '04/02/25	TITLE TRAY FOR HDMI CONN. R/A WITH FLANGE -LEAD FREE-		
	10 OVER 30 UNDER	± ---	CHECKED BY M. ENOMOTO	DATE '04/02/25	MATERIAL NO. 59410-0097	DOCUMENT NO. SD-500254-004	SHEET NO. 1 OF 1
	30 OVER	± ---	APPROVED BY M. ENOMOTO	DATE '04/02/25	MOLEX INCORPORATED THIS DRAWING CONTAINS INFORMATION THAT IS PROPRIETARY TO MOLEX INCORPORATED AND SHOULD NOT BE USED WITHOUT WRITTEN PERMISSION		
ANGULAR ± --- °		DRAFT WHERE APPLICABLE MUST REMAIN WITHIN DIMENSIONS					

10 9 8 7 6 5 4 3 2 1

F

E

D

C

B

A

F

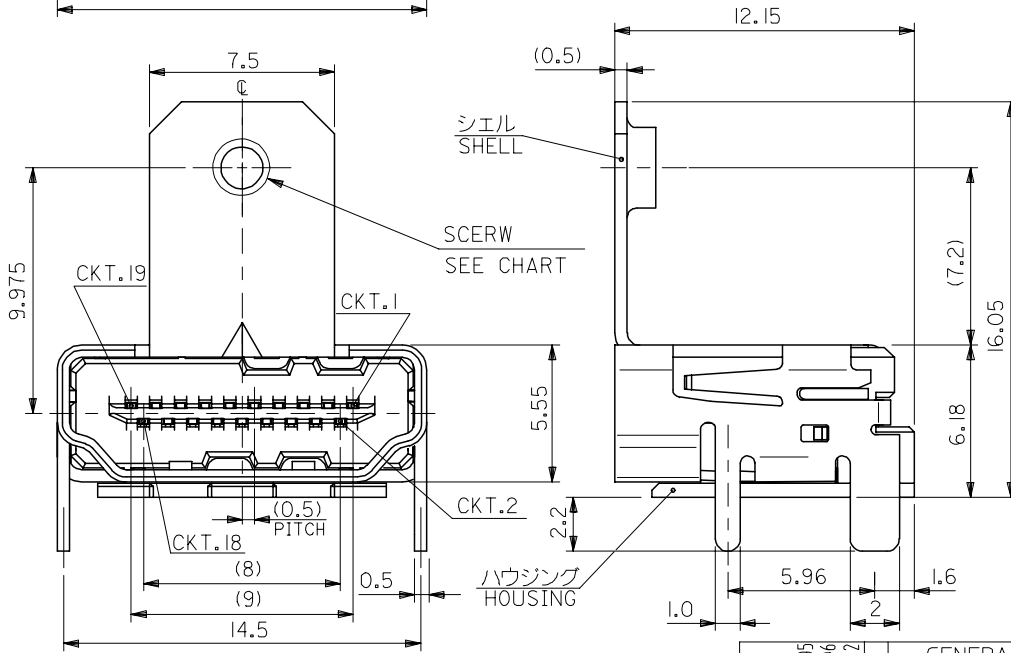
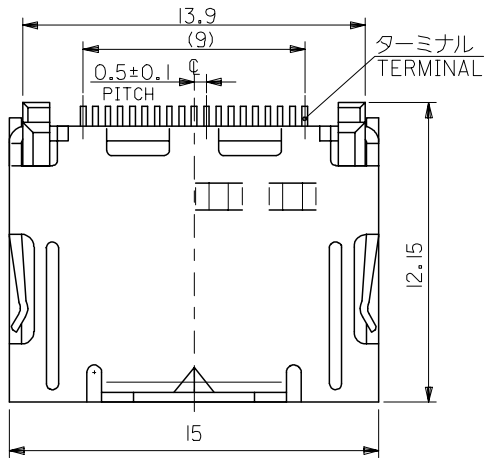
E

D

C

B

A



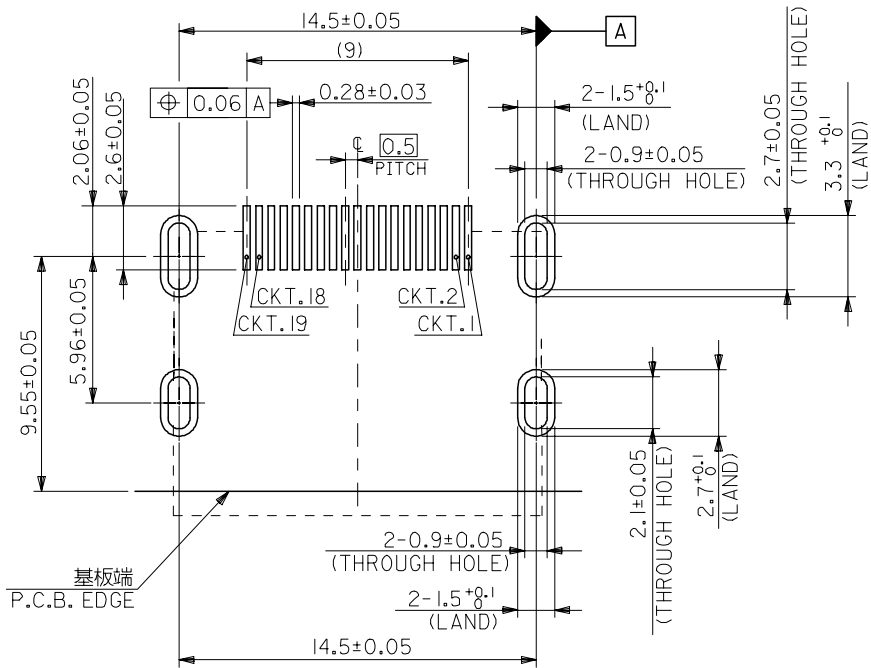
- 注記 1. 材質 MATERIAL
 NOTE ハウジング: ガラス入り耐熱樹脂 HOUSING GLASS FULLED HEAT-RESISTED RESIN, UL94V-0
 ターミナル: 銅合金 TERMINAL COPPER ALLOY
 シェル: 銅合金 SHELL COPPER ALLOY
2. めっき仕様 PLATING
 ターミナル: <接点部>金めっき 0.76マイクロメートル以上 TERMINAL <CONTACT AREA> GOLD(Au) 0.76 MICROMETER MINIMUM.
 <半田付け部>錫めっき 1.0マイクロメートル以上 <SOLDER TAIL AREA> TIN(Sn) 1.0 MICROMETER MINIMUM.
 <下地>ニッケルめっき 2マイクロメートル以上 <UNDER-PLATING> NICKEL(Ni) 2 MICROMETER MINIMUM.
 シェル: 錫めっき 1.0マイクロメートル以上 TIN(Sn) 1.0 MICROMETER MINIMUM.
 下地ニッケルめっき 1.27マイクロメートル以上 UNDER-PLATING NICKEL (Ni) 1.27 MICROMETER MINIMUM.
3. ネジ締めトルク SCREWING TORQUE

	推奨ネジ締めトルク RECOMMENDED SCREWING TORQUE	最大許容ネジ締めトルク TORQUE LIMIT
500254-1931	0.343N-m {3.5kgf-cm} MAXIMUM.	0.392N-m {4.0kgf-cm} MAXIMUM.
500254-1941	0.294N-m {3.0kgf-cm} MAXIMUM.	0.343N-m {3.5kgf-cm} MAXIMUM.

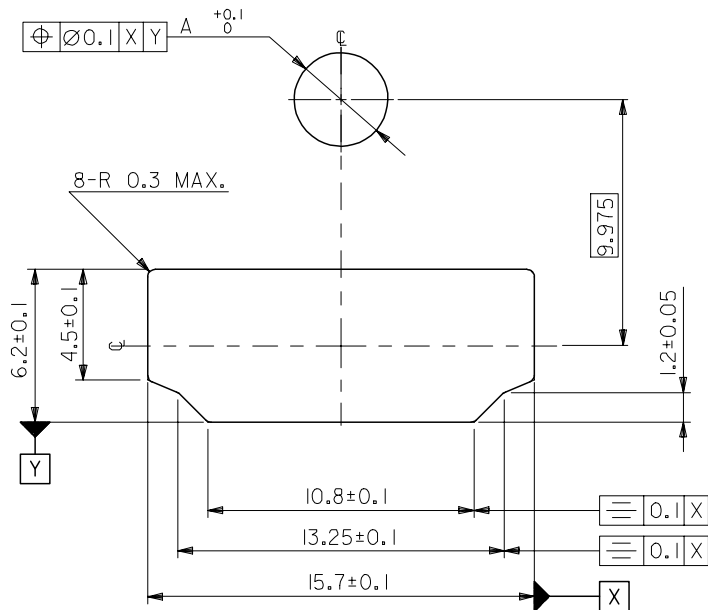
4. テール部の平坦度: 0.1 MAXIMUM.
 COPLANALITY OF TAIL: 0.1 MAXIMUM.

No.4-40UNC	500254-1941	19
M3x0.5	500254-1931	
SCERW	TRAY PACKAGING MATERIAL NO.	CURCUITS

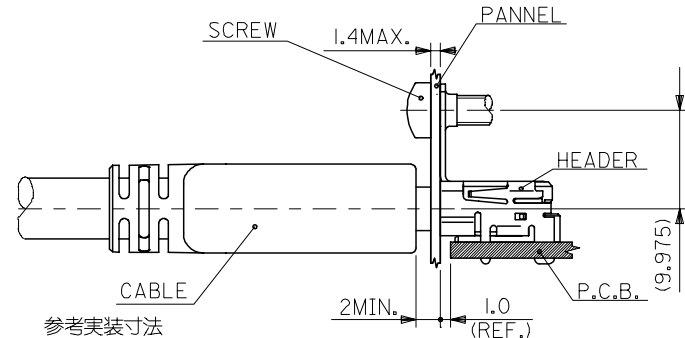
REVISED EC NO: J2006-0032 DRWN: NABE 2005/07/05 CHKD: KTOYODA 2005/07/06 APPR: NUKITA 2005/07/12	GENERAL TOLERANCES (UNLESS SPECIFIED)		DIMENSION STYLE MM ONLY		SCALE 5:1	DESIGN UNITS METRIC	THIRD ANGLE PROJECTION	
	10 UNDER	±0.2	DRAWN BY K. TOYODA	DATE '04/03/26	TITLE HDMI RIGHT ANGLE HEADER ASSY WITH FLANGE -LEAD FREE-			
	10 OVER 30 UNDER	±0.25	CHECKED BY K. ASAKAWA	DATE '04/03/26				
	30 OVER	±0.3	APPROVED BY S. ICHIKAWA	DATE '04/03/26	MOLEX INCORPORATED			
ANGULAR	±3 °	MATERIAL NO.	DOCUMENT NO.	SHEET NO.				
DRAFT WHERE APPLICABLE MUST REMAIN WITHIN DIMENSIONS		SEE CHART		SD-500254-006		1 OF 2		
SIZE A3 THIS DRAWING CONTAINS INFORMATION THAT IS PROPRIETARY TO MOLEX INCORPORATED AND SHOULD NOT BE USED WITHOUT WRITTEN PERMISSION								



推奨基板寸法
 RECOMMENDED P.C.B. PATTERN LAYOUT (+/-1.6±0.15)
 (COMPONENT SIDE)



参考パネル寸法
 REFERENCE PANEL CUT OUT DIMENSION.



参考実装寸法
 REFERENCE MOUNT DIMENSION.
 (SCALE 2:1)

3.45	500254-1941
3.6	500254-1931
"A"	TRAY PACKAGE

REVISED EC NO: J2006-0032 DRW: NABEI 2005/07/05 CHK: KATOYODA 2005/07/06 APPR: NUKITA 2005/07/12	GENERAL TOLERANCES (UNLESS SPECIFIED)		DIMENSION STYLE MM ONLY		SCALE 5:1	DESIGN UNITS METRIC	THIRD ANGLE PROJECTION		
	10 UNDER ±0.2 10 OVER 30 UNDER ±0.25 30 OVER ±0.3	ANGULAR ±3 °	DRAFT WHERE APPLICABLE MUST REMAIN WITHIN DIMENSIONS	DRAWN BY K. TOYODA DATE '04/03/26	CHECKED BY K. ASAKAWA DATE '04/03/26	TITLE HDMI RIGHT ANGLE HEADER ASSY WITH FLANGE -LEAD FREE-			
	MATERIAL NO. SEE CHART			APPROVED BY S. ICHIKAWA DATE '04/03/26		DOCUMENT NO. SD-500254-006		SHEET NO. 2 OF 2	
	THIS DRAWING CONTAINS INFORMATION THAT IS PROPRIETARY TO MOLEX INCORPORATED AND SHOULD NOT BE USED WITHOUT WRITTEN PERMISSION								