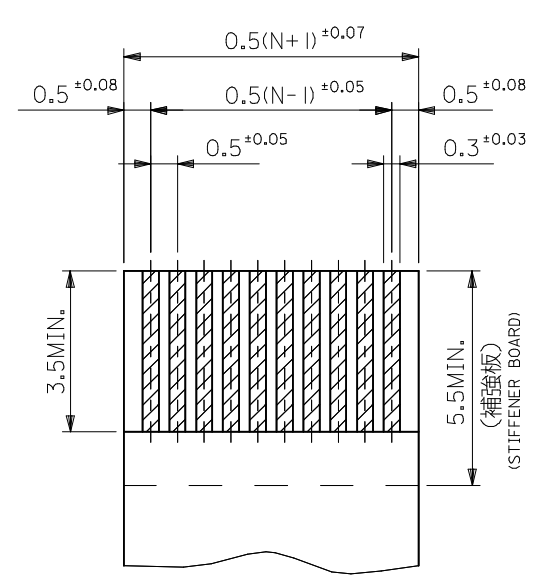
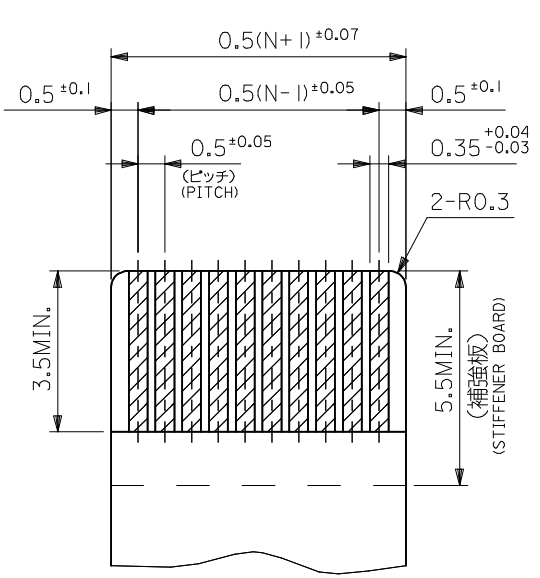
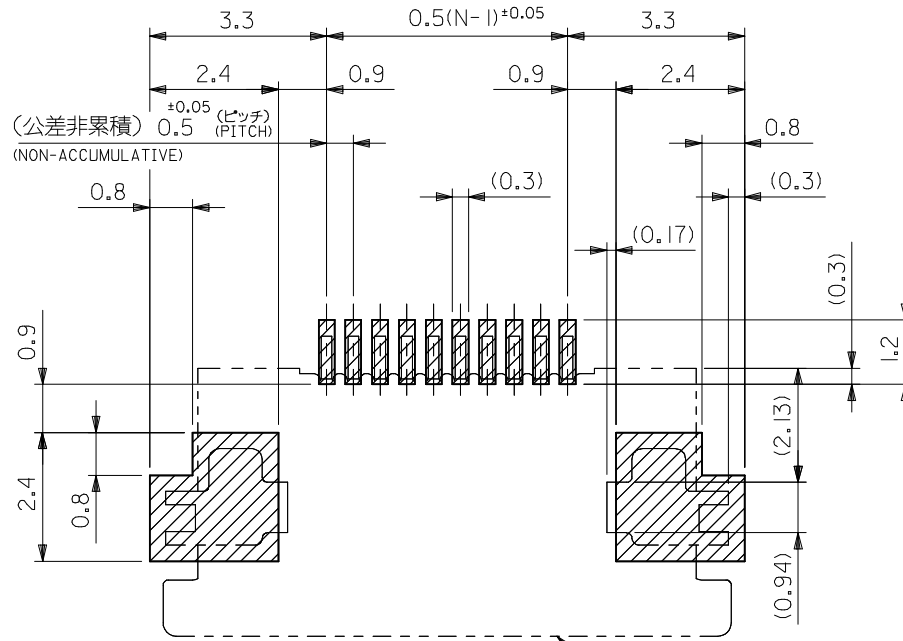


30.5	29.3	25.65	24.5	54104-5096	54104 - 5039	50
28.5	27.3	23.65	22.5	54104-4696	54104 - 4639	46
28.0	26.8	23.15	22.0	54104-4596	54104 - 4539	45
27.0	25.8	22.15	21.0	54104-4396	54104 - 4339	43
25.5	24.3	20.65	19.5	54104-4096	54104 - 4039	40
24.5	23.3	19.65	18.5	54104-3896	54104 - 3839	38
23.5	22.3	18.65	17.5	54104-3696	54104 - 3639	36
23.0	21.8	18.15	17.0	54104-3596	54104 - 3539	35
22.5	21.3	17.65	16.5	54104-3496	54104 - 3439	34
22.0	20.8	17.15	16.0	54104-3396	54104 - 3339	33
21.5	20.3	16.65	15.5	54104-3296	54104 - 3239	32
20.5	19.3	15.65	14.5	54104-3096	54104 - 3039	30
D	C	B	A	EMBOSSED TAPE		MATERIAL NO.
				ORDER No. オータ-番号		CIRCUIT

金具
FITTING NAIL

REVISED EC NO: J2008-4308 DRWN: NABEI 2008/06/27 CHKD: THARUYAMA 2008/06/30 APPR: NUKITA 2008/06/30	GENERAL TOLERANCES (UNLESS SPECIFIED)		DIMENSION STYLE MM ONLY		SCALE ---	DESIGN UNITS METRIC	THIRD ANGLE PROJECTION
	10 UNDER	±0.2	DRAWN BY Y. SAKIYAMA	DATE '04/01/22	TITLE 0.5 FPC CONN ZIF HSG ASSY FOR SMT RA UPR CONT -LEAD FREE-		
	10 OVER 30 UNDER	±0.25	CHECKED BY M. SASAO	DATE '04/01/22	MOLEX INCORPORATED		
	30 OVER	±0.3	APPROVED BY M. SASAO	DATE '04/01/22	DOCUMENT NO. SD-54104-071		
	ANGULAR ±3°		DRAFT WHERE APPLICABLE MUST REMAIN WITHIN DIMENSIONS		SEE TABLE		SHEET NO. 1 OF 2
THIS DRAWING CONTAINS INFORMATION THAT IS PROPRIETARY TO MOLEX INCORPORATED AND SHOULD NOT BE USED WITHOUT WRITTEN PERMISSION							



適合FPC推奨寸法
 APPLICABLE FPC
 RECOMMENDED DIMENSION
 (仕上がり厚さ: 0.3±0.03)
 (THICKNESS: 0.3±0.03)

適合FFC推奨寸法
 APPLICABLE FFC
 RECOMMENDED DIMENSION
 (仕上がり厚さ: 0.3±0.03)
 (THICKNESS: 0.3±0.03)

コネクタ位置
 CONNECTOR POSITION

参考基板レイアウト
 RECOMMENDED P.C.BOARD
 PATTERN DIMENSION (REF.)
 (マウント面)
 (MOUNTING SIDE)

注記 NOTES

- I. 使用材料 MATERIAL
- ハウジング : 46ナイロン, UL94V-0 HOUSING 46NYLON
 - アクチュエータ : PPS, UL94V-0 ACTUATOR
 - ターミナル : リン青銅, ニッケル下地 鍍ビスマスマッキ (t=0.2) TERMINAL PHOS-BRONZE, TIN-BISMUTH OVER NICKEL PLATING.(t=0.2)
 - 金具 : リン青銅, ニッケル下地 鍍メッキ (t=0.2) FITTING NAIL PHOS-BRONZE, TIN OVER NICKEL PLATING.(t=0.2)

2. エンボステーブ梱包時は、アクチュエータがロックした状態とする。
 IN THE PACKAGE, ACTUATOR OF PART NO.54104-***39 SHOULD BE LOCKED.
- ⚠️ ソルダータール半田付け面のズレ量、及び金具半田付け面のズレ量は、基準面 H に対し上方向 0.1 MAX. 下方向 0.15 MAX. とし、相互のパラッキ量は、0.1 MAX. とする。
 MISALIGNMENT OF SOLDER TAILS AND FITTING NAILS FROM UPPER DIRECTION; 0.1 MAX., LOWER DIRECTION; 0.15 MAX. OFFSET BETWEEN UPPER AND LOWER 0.1 MAX. H
- ⚠️ 偶数極に適用。
 APPLY FOR EVEN CIRCUIT.
- ⚠️ パターンはくり止め用金具
 FITTING NAIL FOR PREVENTION OF PEELING OF P.C.B. PATTERN.
6. 本製品は 54104-***37 の鉛フリー品である。
 THIS PRODUCT IS LEAD FREE OF 54104-***37.

FPC/FFCについて

打抜き方向は導体側から補強板側を推奨いたします。
 導体部については軟銅箔35マイクロメートルまたは50マイクロメートル
 メッキ厚 3~9マイクロメートル鍍または半田メッキ (電気メッキ)

RECOMMENDED PUNCHER DIRECTION:
 FROM CONDUCTOR SIDE TO STIFFENER BOARD SIDE.

RECOMMENDED CONDUCTOR SPEC.:
 THICKNESS OF SOFT COPPER FOIL:
 35 micrometer or 50 micrometer
 TIN OR SOLDER PLATING:
 3~9 micrometer (ELECTRICAL PLATING)

FPCについて

補強フィルム材質はポリイミドを推奨致します。
 接着剤は熱硬化接着剤を推奨致します。

RECOMMENDED MATERIAL:
 STIFFENER FILM : POLYIMIDE
 BONDING AGENT : THERMOSETTING BONDING AGENT

REVISED EC NO: J2008-4308 DRWN: WABEI CHKD: T. HARUYAMA APPR: NUKITA	DESCRIPTION 2008/06/27 2008/06/30	GENERAL TOLERANCES (UNLESS SPECIFIED)		DIMENSION STYLE	SCALE	54104-***39	MODEL NO.
		10 UNDER	±0.2	MM ONLY	---	DESIGN UNITS METRIC	THIRD ANGLE PROJECTION
A	REV	10 OVER 30 UNDER	±0.25	DRAWN BY Y. SAKIYAMA	DATE '04/01/22	TITLE 0.5 FPC CONN ZIF HSG ASSY FOR SMT RA UPR CONT -LEAD FREE-	
		30 OVER	±0.3	CHECKED BY M. SASAO	DATE '04/01/22	MOLEX INCORPORATED	
		ANGULAR	±3 °	APPROVED BY M. SASAO	DATE '04/01/22	MATERIAL NO.	DOCUMENT NO. SD-54104-071
		DRAFT WHERE APPLICABLE MUST REMAIN WITHIN DIMENSIONS		SEE SHEET 1		SHEET NO. 2 OF 2	
THIS DRAWING CONTAINS INFORMATION THAT IS PROPRIETARY TO MOLEX INCORPORATED AND SHOULD NOT BE USED WITHOUT WRITTEN PERMISSION							

8

7

6

5

4

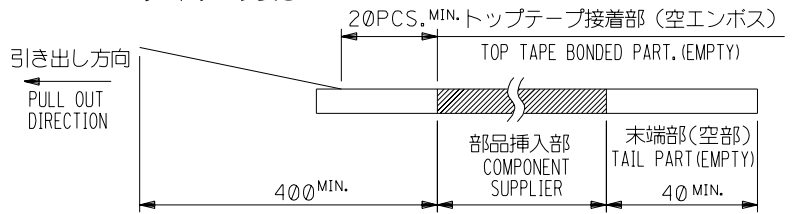
3

2

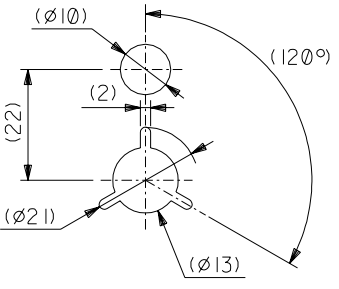
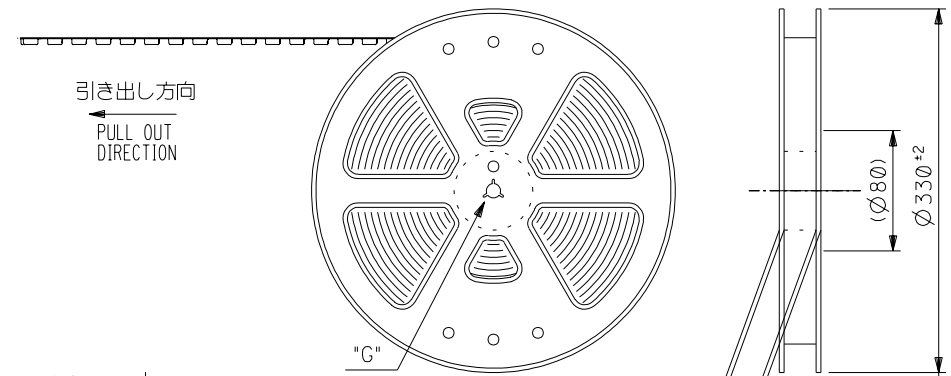
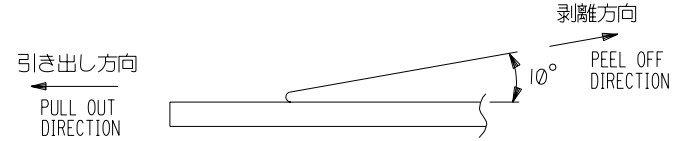
1

NOTES

- 1. 梱包数量：1500個/リール
NUMBER OF CONNECTORS : 1500PCS/REEL
- 2. リードテープ長さ LEAD TAPE LENGTH



- 3. トップテープの剥離強度：0.1～1.3N (10～130gf)
(剥離方向は下図参照)
尚、本規格値は出荷時に適用。(但し、輸送時に剥離が発生しないこと。)
PEELING OFF FORCE OF TOP TAPE : 0.1～1.3N (10～130gf)
(PEELING DIRECTION AS SHOWN IN FOLLOWING FIG.)
THIS REQUIREMENT SHOULD BE APPLIED AT SHIPMENT.
PEEL OFF SHOULD NOT BE ALLOWED , DURING TRANSPORTATION.



DETAIL "G"

- 4. 材料(MATERIAL)
キャリアテープ(CARRIER TAPE)：ポリプロピレン(POLYPROPYLENE)
トップテープ(TOPTAPE)：PET , PE , PEF
リール(REEL)：ポリスチレン(PS)<リサイクル材を含む>
POLYSTYRENE (PS) <RECYCLE MATERIAL CONTAINED>
- 5. 本製品は 54104-***92 の鉛フリー品である。
THIS PRODUCT IS LEAD FREE OF 54104-***92.

44	49.4	45.4	30.8	31.9	26.1	29.6	54104-5096	50	
			28.8	29.9	24.1	27.6	-4696	46	
			28.3	29.4	23.6	27.1	-4596	45	
			27.3	28.4	22.6	26.1	-4396	43	
			25.8	26.9	21.1	24.6	-4096	40	
			24.8	25.9	20.1	23.6	-3896	38	
			23.8	24.9	19.1	22.6	-3696	36	
			23.3	24.4	18.6	22.1	-3596	35	
			22.8	23.9	18.1	21.6	-3496	34	
			22.3	23.4	17.6	21.1	-3396	33	
			21.8	22.9	17.1	20.6	-3296	32	
20.8	21.9	16.1	19.6	54104-3096	30				
キャリアテープ幅 CARRIER TAPE WIDTH		F	E	D	C	B	A	MATERIAL NO.	CIRCUIT

DO NOT SCALE DRAWING

EC NO. DRAWN: CHK: APPR:	EC NO. DRAWN: CHK: APPR:	EC NO. DRAWN: CHK: APPR:	REVISED '04/04/21 EC NO. J2004-3918 DRAWN: Y.WADA CHK: M.SASAO APPR: M.SASAO	REVISED '04/01/22 EC NO. J2004-2032 DRAWN: Y.SAKIYAMA CHK: M.SASAO APPR: M.SASAO	MATERIAL 材料 注記参照 SEE NOTES	GENERAL TOLERANCES: (UNLESS SPECIFIED) 一般公差	SCALE ---	MODEL NO. 54104-***96	DESIGN UNITS <input checked="" type="checkbox"/> mm <input type="checkbox"/> INCH	THIRD ANGLE PROJECTION <input checked="" type="checkbox"/> THIRD ANGLE <input type="checkbox"/> FIRST ANGLE	DIMENSIONS: <input type="checkbox"/> mm <input type="checkbox"/> INCH <input checked="" type="checkbox"/> mm ONLY	SHT	REV
			A	0	---	10 UNDER 未満 ±0.2	DRAWN BY & DATE Y.SAKIYAMA '04/01/22	TITLE: Embstp Pkg for 0.5 FPC Conn Zif Hsg Assy -LEAD FREE-					
					FINISH 仕上げ ---	10 OVER 30 UNDER 未満 ±0.25	CHECKED BY & DATE M.SASAO '04/01/22	MOLEX MOLEX INCORPORATED					
					WIRE RANGE 適用層被範囲 ---	30 OVER 以上 ±0.3	APPROVED BY & DATE M.SASAO '04/01/22	CAD FILENAME SD-54104-072.S01	MATERIAL NO. SEE CHART	DRAWING NO. SD-54104-072	SHEET NO. 1 OF 2		
					INS. RANGE 被覆外径 ---	ANGLE 角度 ±3°	THIS DRAWING CONTAINS INFORMATION THAT IS PROPRIETARY TO MOLEX INCORPORATED AND SHOULD NOT BE USED WITHOUT WRITTEN PERMISSION.					SIZE B	

8

7

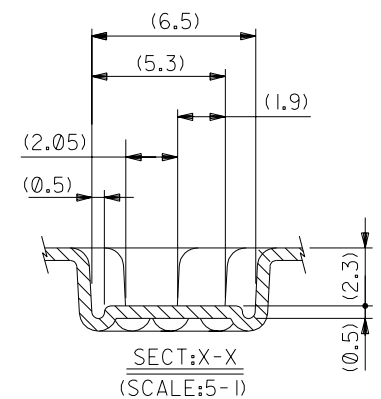
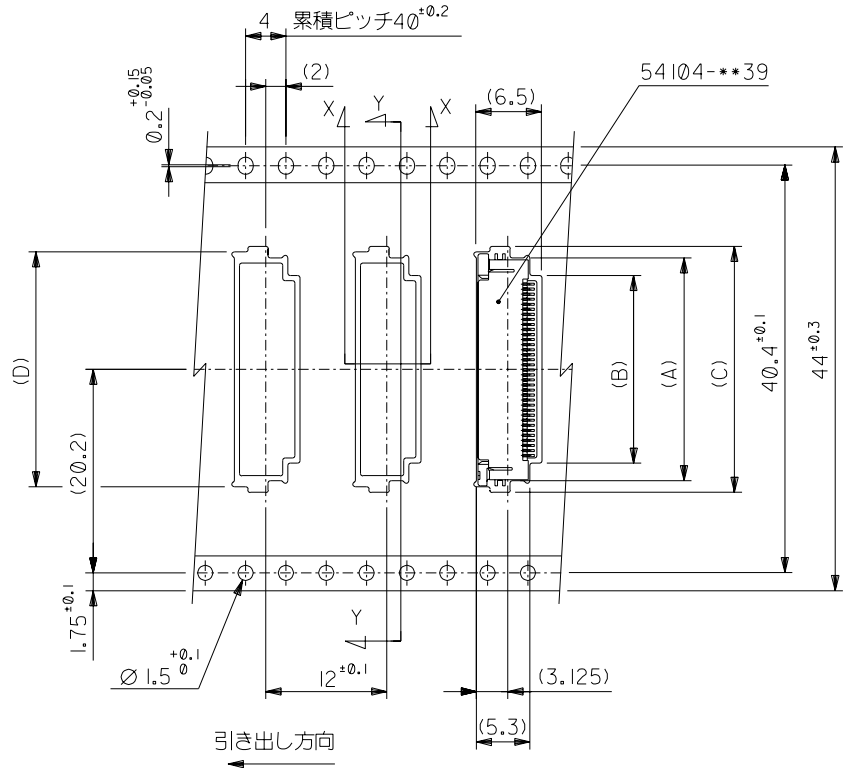
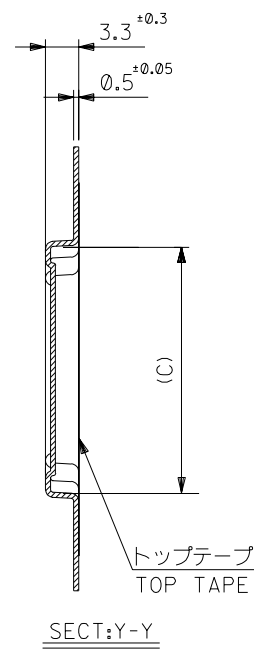
6

5

4

3

2



DO NOT SCALE DRAWING

EC NO. DRWN: CHK: APPR:	EC NO. DRWN: CHK: APPR:	EC NO. DRWN: CHK: APPR:	REVISED '04/04/21 EC NO. J2004-3918 DRWN: Y.WADA CHK: M.SASAO APPR: M.SASAO	REVISED '04/01/22 EC NO. J2004-2032 DRWN: Y.SAKIYAMA CHK: M.SASAO APPR: M.SASAO	MATERIAL 材料 SHEET 1 OF 2 参照 REFER TO SHEET 1 OF 2	GENERAL TOLERANCES: (UNLESS SPECIFIED) 一般公差	SCALE ---	MODEL NO. 54104-***96	DESIGN UNITS <input checked="" type="checkbox"/> mm <input type="checkbox"/> INCH	THIRD ANGLE PROJECTION <input checked="" type="checkbox"/> mm <input type="checkbox"/> INCH	DIMENSIONS: <input type="checkbox"/> mm <input type="checkbox"/> INCH <input checked="" type="checkbox"/> mm ONLY	SHT REVISE ON CAD ONLY	REV
10 UNDER 未滿	±0.2	DRAWN BY & DATE Y.SAKIYAMA '04/01/22	TITLE: Embstp Pkg for 0.5 FPC Conn Zif Hsg Assy -LEAD FREE-		WIRE RANGE 適用線径範囲 ---	10 OVER 30 UNDER 未滿	±0.25	CHECKED BY & DATE M.SASAO '04/01/22	MOLEX MOLEX INCORPORATED		MATERIAL NO. SEE CHART	DRAWING NO. SD-54104-072	SHEET NO. 2 OF 2
30 OVER 以上	±0.3	APPROVED BY & DATE M.SASAO '04/01/22	MATERIAL NO. SEE CHART			INS. RANGE 被覆外径 ---	ANGLE 角度	±3°	THIS DRAWING CONTAINS INFORMATION THAT IS PROPRIETARY TO MOLEX INCORPORATED AND SHOULD NOT BE USED WITHOUT WRITTEN PERMISSION.		SIZE B		
CAD FILENAME SD-54104-072.S02		MATERIAL NO. SEE CHART		DRAWING NO. SD-54104-072		SHEET NO. 2 OF 2							