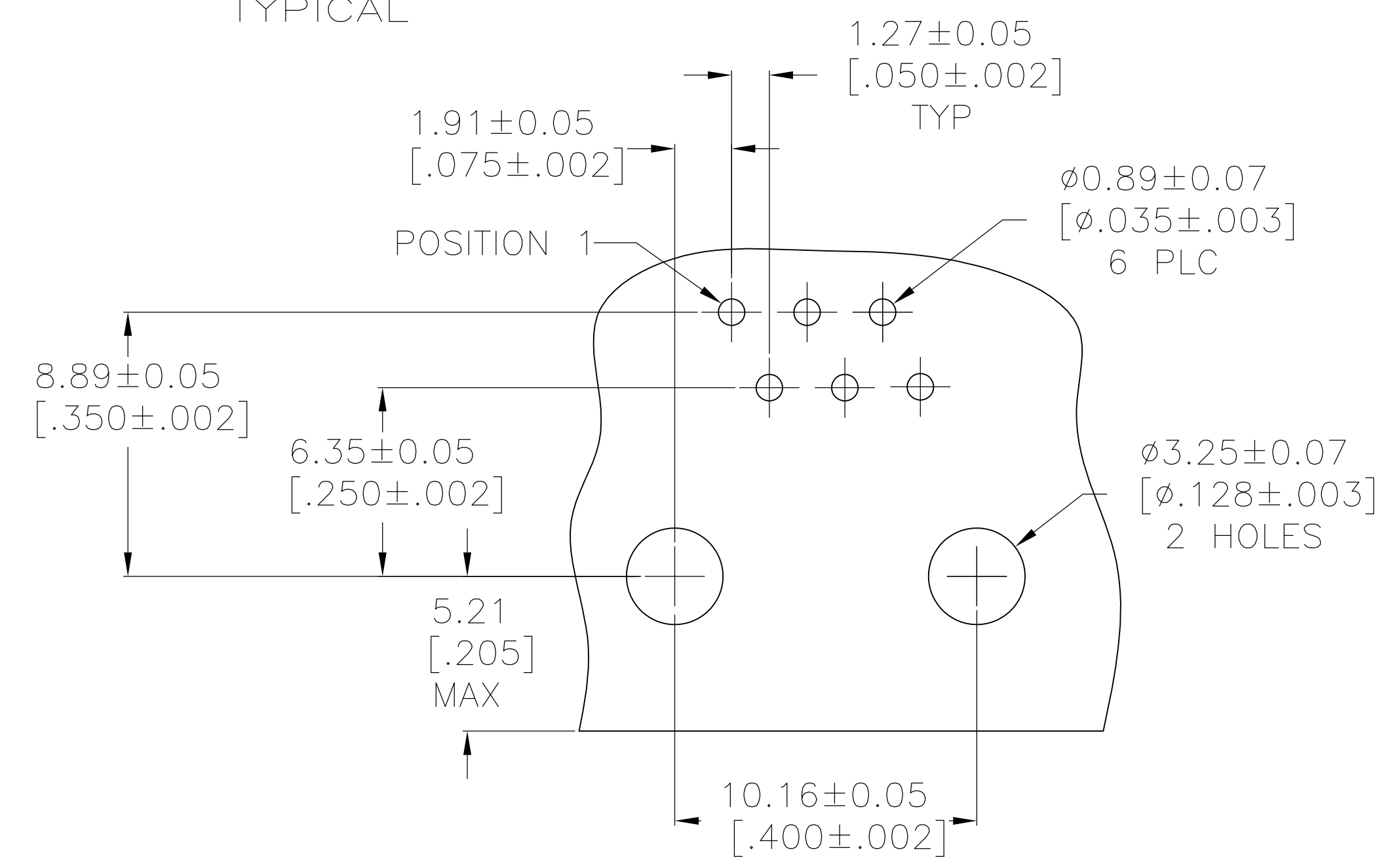
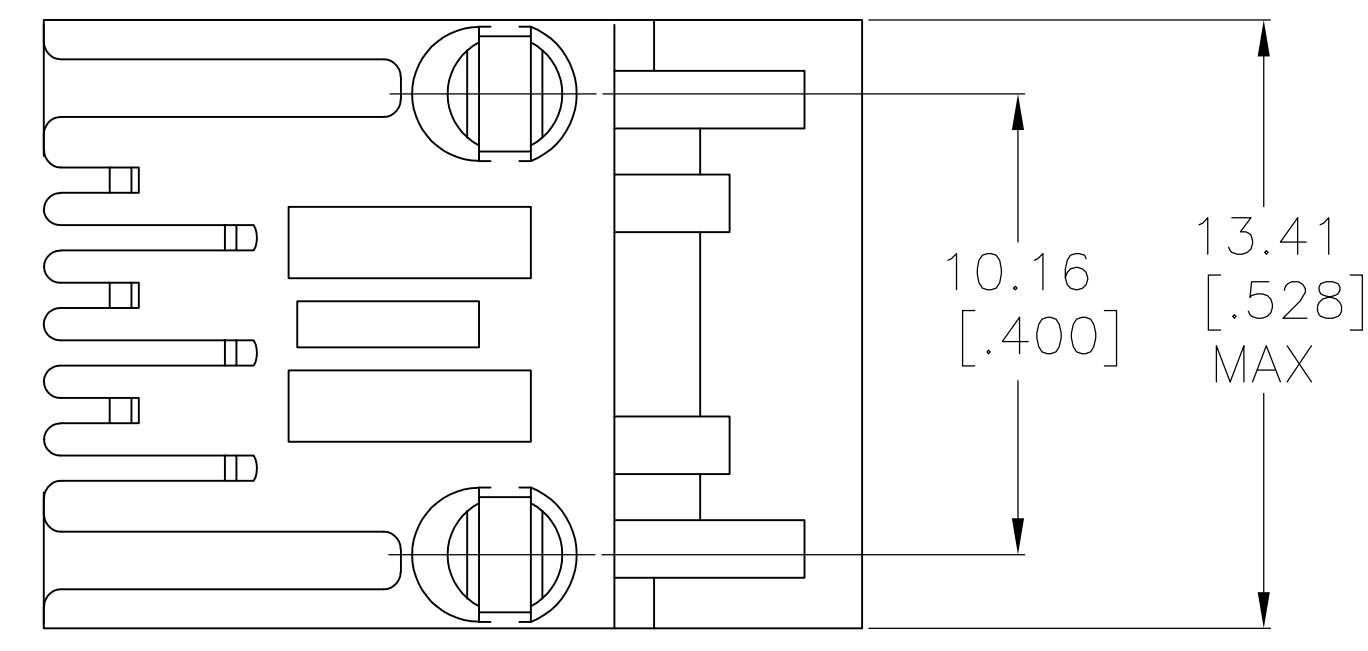
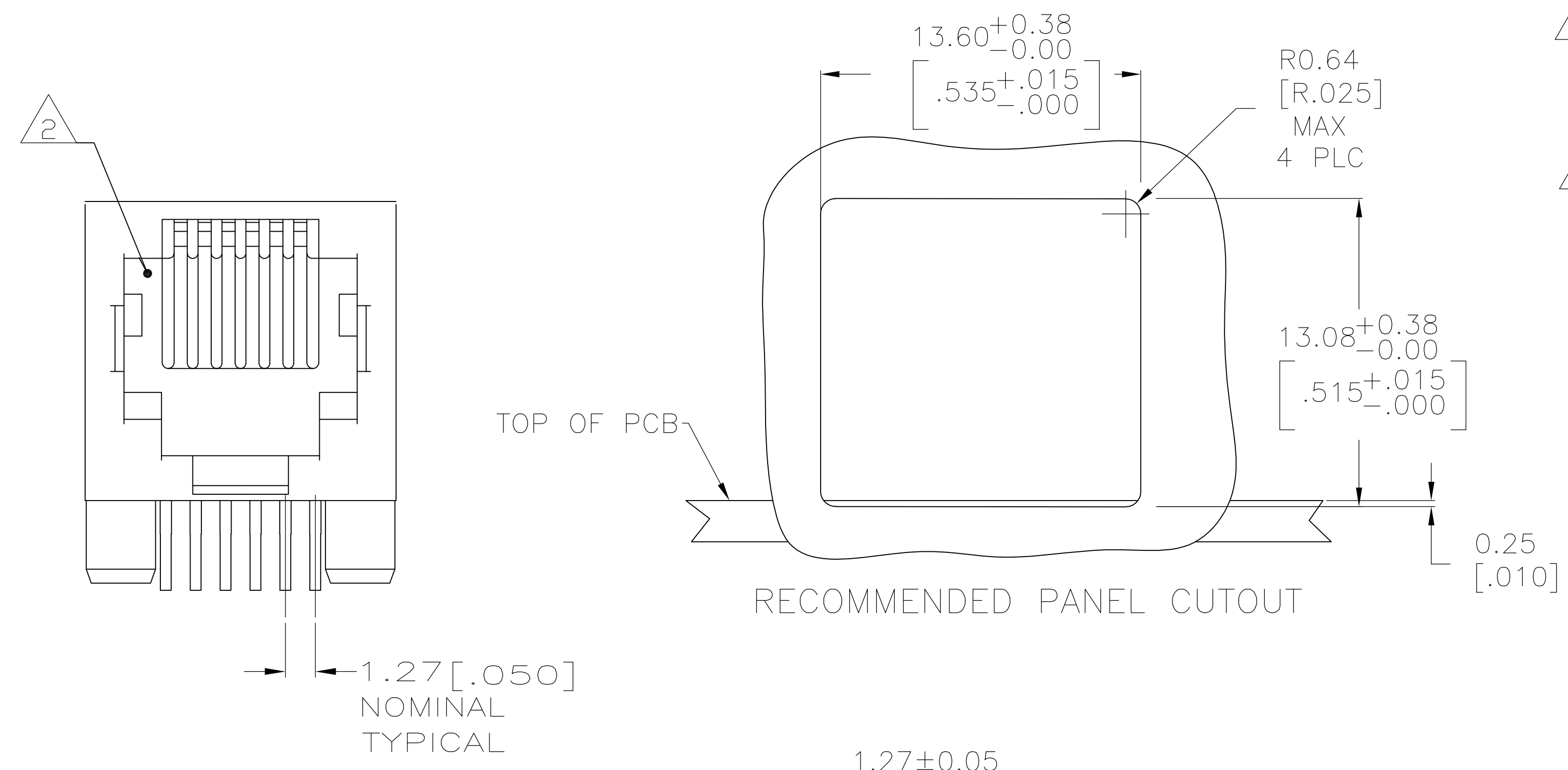
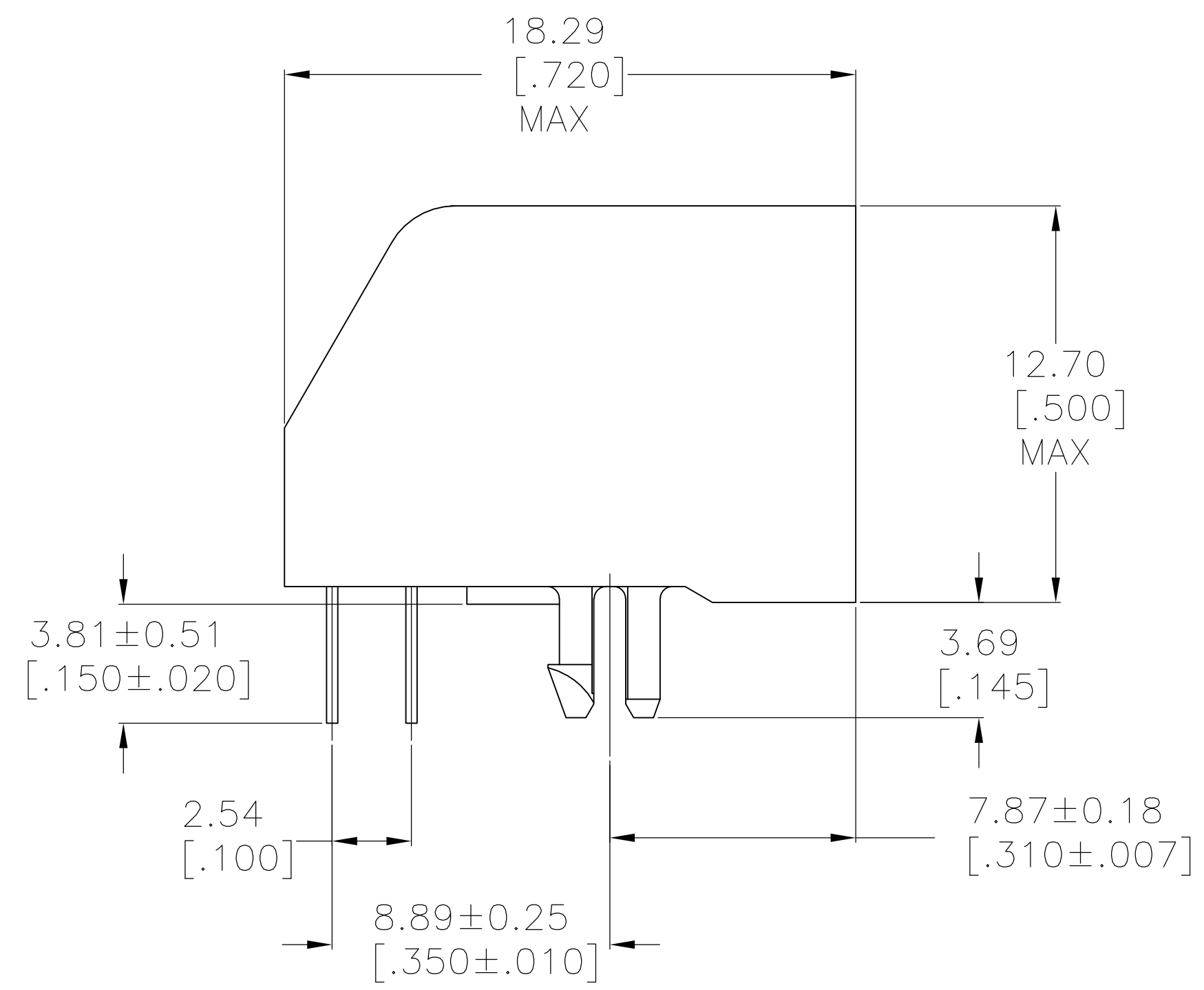


LOC		DIST		REVISIONS			
AA	00	REV	DATE	BY	CHK	APPV	
E1	REVISED PER ECO-11-005140	28MAR11	RK	HMR			

- MATERIAL: HOUSING - PBT POLYESTER, COLOR: SEE TABLE  
 TERMINAL - 0.35[.0138] THICK PHOS BRONZE  
 PLATED WITH 1.27 $\mu$ m[.000050] THICK  
 HARD GOLD IN LOCALIZED GOLD PLATE AREA AND  
 2.03 $\mu$ m[.000080] THICK MATTE TIN IN SOLDER  
 AREA OVER 1.27 $\mu$ m[.000050] THICK NICKEL  
 UNDERPLATE.
- CAVITY CONFORMS TO FCC RULES AND REGULATIONS  
 PART 68, SUBPART F.
- BULK PACKAGED IN A TRAY.
- TERMINALS FOR 5555165-2, -5 & -8 AND LOCATED IN  
 CENTER POSITIONS.



RECOMMENDED PRINTED CIRCUIT BOARD LAYOUT  
 COMPONENT SIDE SHOWN

COLOR	TERMINALS REQUIRED	PART NUMBER
DEC GREY	4	5555165-8
BLACK	2	5555165-5
BLACK	4	5555165-2
BLACK	6	5555165-1

THIS DRAWING IS A CONTROLLED DOCUMENT.

DIMENSIONS: mm [INCHES]	TOLERANCES UNLESS OTHERWISE SPECIFIED:	APPROVED S. FLICKINGER	DATE 08JUNE2005	NAME S. FLICKINGER
0 PLC ± -	1 PLC ± -	2 PLC ± 0.13[.005]	3 PLC ± -	4 PLC ± -
ANGLES ± -				
MATERIAL SEE NOTE 1	FINISH SEE NOTE 1	WEIGHT -	SIZE A1	SCALE 6:1
CUSTOMER DRAWING		DATE 00779	DRAWING NO. 5555165	RESTRICTED TO -

STE TE Connectivity

MODULAR JACK ASSEMBLY,  
 6 POSITION, LOW PROFILE, RIGHT  
 ANGLE, WITHOUT PANEL STOPS

108-1163

114-2048

SHEET 1 OF 1 REV E1