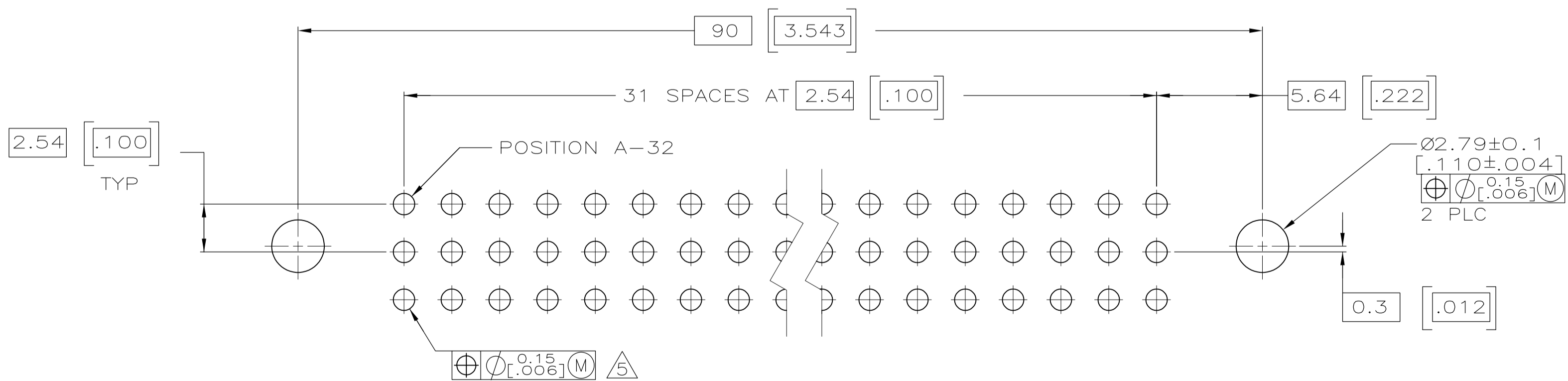
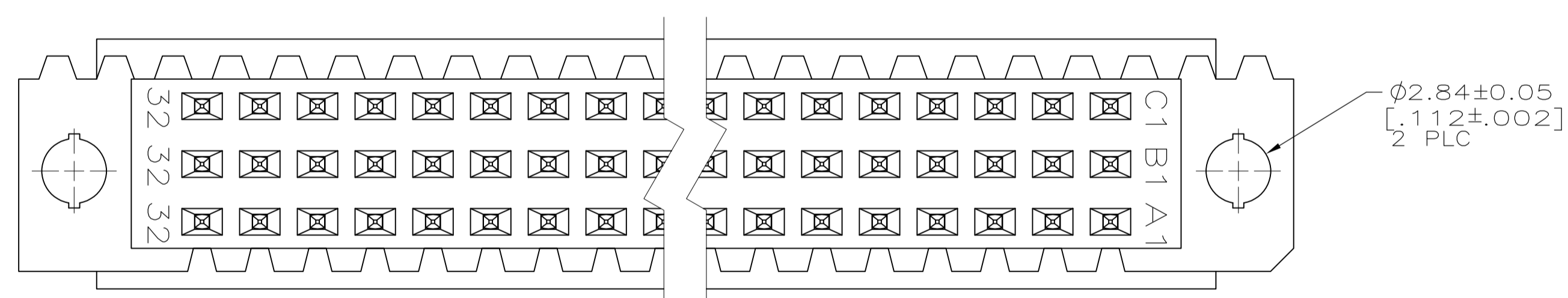
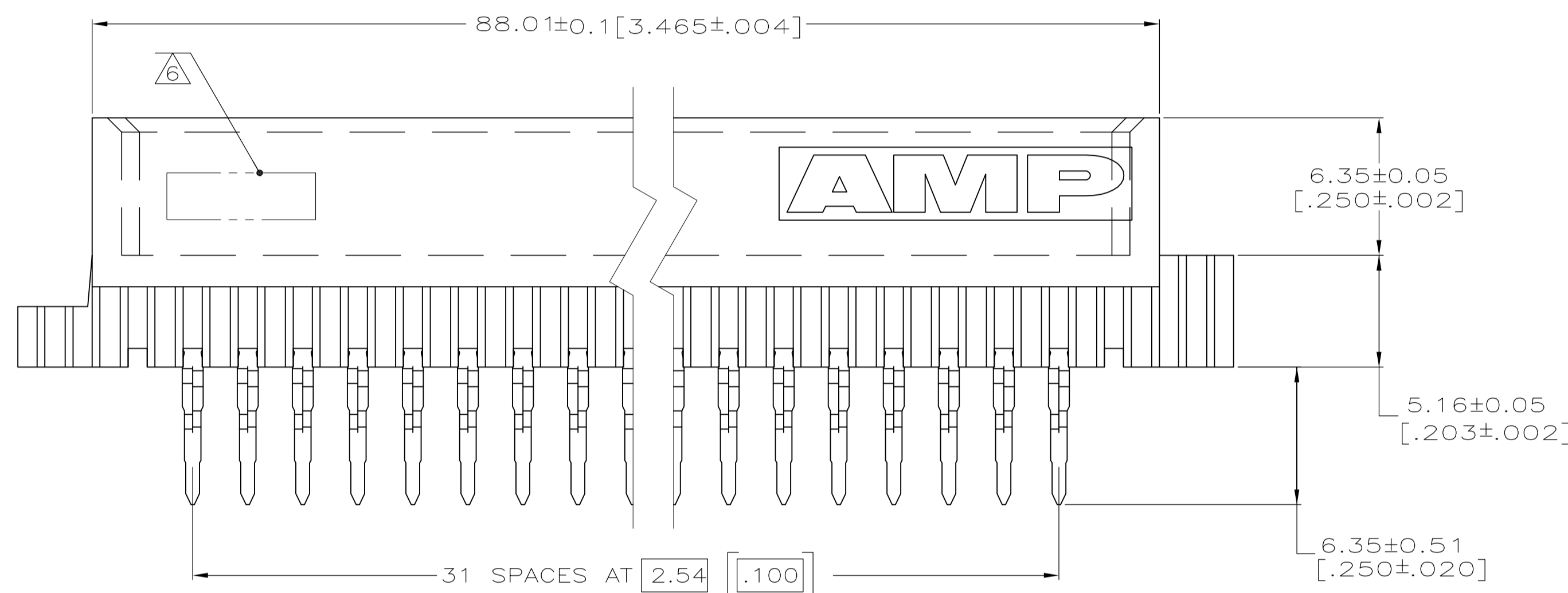
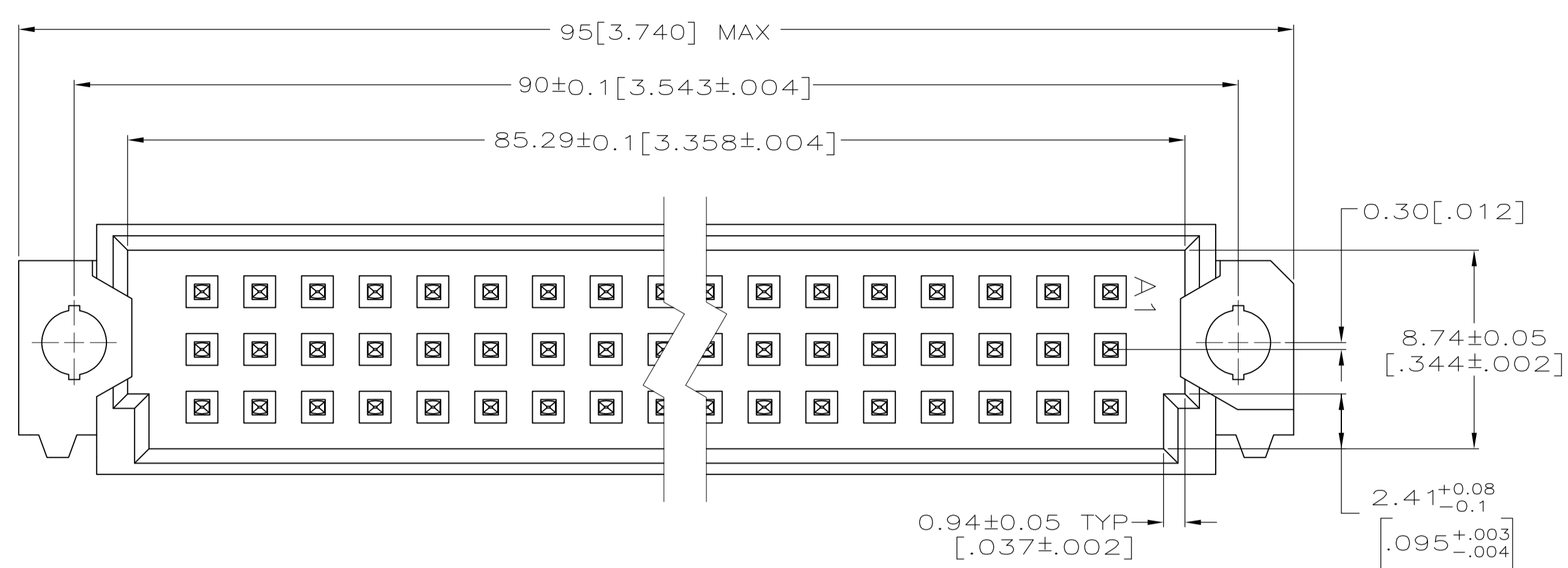
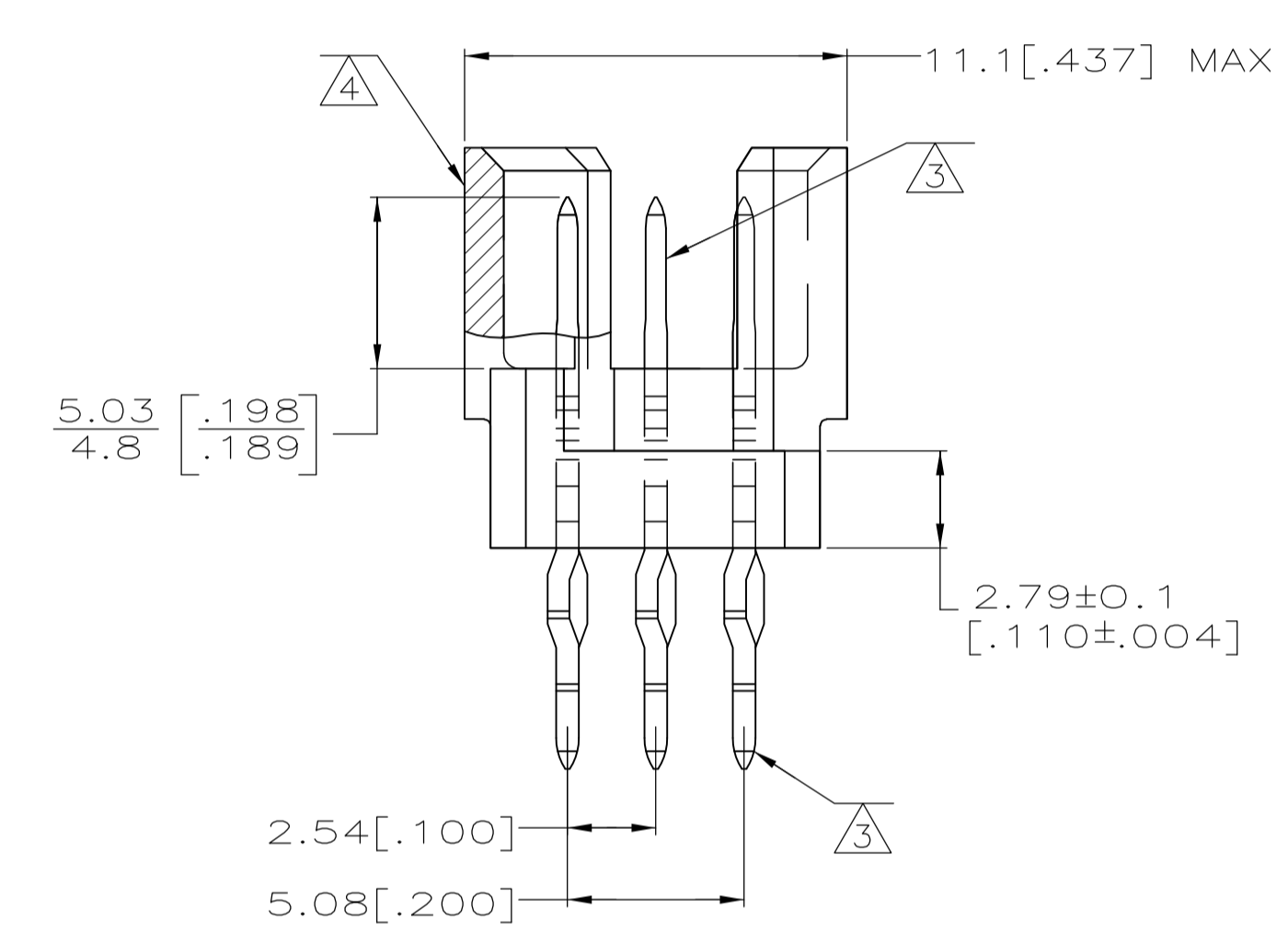


LOC		DIST		REVISIONS				
AD	25	REV	DATE	DESCRIPTION	DATE	BY	APPV	
01			27JUN07	REVISED PER ECO-07-012819		DH	DB	



- 1 HOUSING MATERIAL: GLASS-FILLED POLYMER.
- 2 POST MATERIAL: COPPER ALLOY.
- 3 POST FINISH: DIN 41612 CLASS 2 IN CONTACT AREA. TIN PLATE ON POSTS.
- 4 MARKING ON THIS SIDE.
- 5 ACTION PIN POSTS REQUIRE 2.36[.093] MINIMUM THICK PC BOARD. RECOMMENDED PC BOARD HOLES ARE 1.151[.0453] DIA PLATED THROUGH WITH 0.02-0.08[.001-.003] COPPER AND 0.008[.0003] MINIMUM TIN-LEAD PLATING. FINISHED HOLE AFTER PLATING, 0.94-1.09[.037-.043] DIA.
- 6 PART NUMBER, DATE CODE MARKED THIS APPROXIMATE AREA.



1-32	X	X	X	96	5650889-5
POSITIONS LOADED	C	B	A	NO. OF LOADED POSITION	ASSY PART NUMBER

THIS DRAWING IS A CONTROLLED DOCUMENT.		DIN J. POLIGNONE		Tyco Electronics Corporation	
DIMENSIONS: mm [INCHES]		TOLERANCES UNLESS OTHERWISE SPECIFIED:		Tyco Electronics Corporation Harrisburg, Pa 17105-3608	
0 PLC	± -	1 PLC	± -	NAME ASSEMBLY, PIN, EUROCARD, TYPE R, 96 POSITION, 6.35[.250] PRESS-FIT POSTS.	
1 PLC	± -	2 PLC	± 0.13[.005]	APPLICATION SPEC	
2 PLC	± -	3 PLC	± -	SIZE CAGE CODE DRAWING NO. A1 00779 C=5650889	
3 PLC	± -	4 PLC	± -	RESTRICTED TO	
4 PLC	± -	ANGLES	± -	WEIGHT	
MATERIAL 1 2		FINISH 3		CUSTOMER DRAWING	
				SCALE 5:1 SHEET 1 OF 1 REV 01	