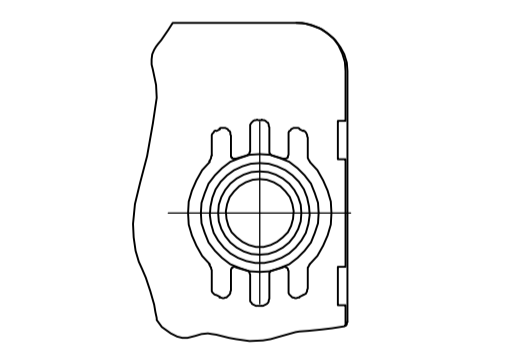
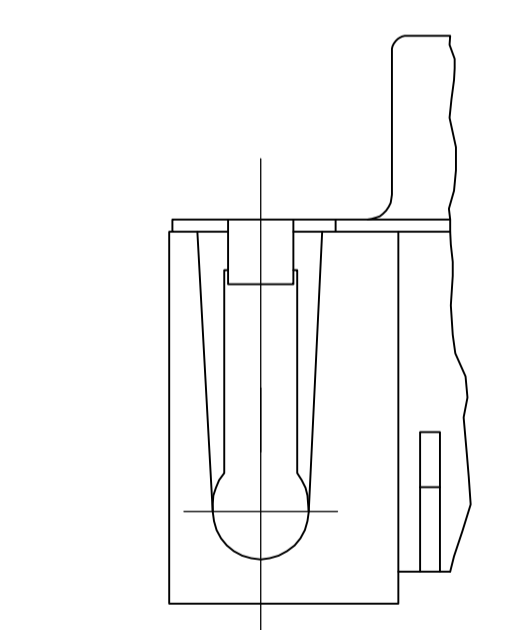


PC BOARD MOUNTING DIMENSIONS



- CONNECTOR MATES WITH ANY 9 POSN PLUG IN AMPLIMITE SERIES & COMPLIES WITH AMP SPEC 108-40005 WHERE APPLICABLE.
- MOLDED PARTS: FLAME RETARDANT 94V-0 RATED THERMOPLASTIC, COLOR: SEE TABLE.  
SHELL: CARBON STEEL.  
CONTACTS: PHOSPHOR BRONZE.  
EYELETS: BRASS.  
SCREWLOCKS: ZINC.  
INSERTS: ZINC.
- SHELL: TIN PLATED.  
CONTACTS: SEE TABLE.  
EYELETS: TIN PLATED.  
SCREWLOCKS: CLEAR CHROMATE.  
INSERTS: CLEAR CHROMATE.
- GOLD FLASH FOR A DISTANCE OF .100 MIN FROM MATING END, TIN PLATED .000100-.000200 ON OPPOSITE END, ALL OVER .000050 NICKEL.
- .000030 GOLD FOR A DISTANCE OF .100 MIN FROM MATING END, TIN PLATED .000100-.000200 ON OPPOSITE END, ALL OVER .000050 NICKEL.

AQUA (TURQUOISE)	THREADED INSERTS	5	5745781-7
BLACK	FEMALE SCREWLOCKS	5	5745781-6
BLACK	THREADED INSERTS	5	5745781-4
BLACK	THREADED INSERTS	4	5745781-3
BLACK	NONE	5	5745781-2
COLOR	MOUNTING HARDWARE	CONTACT FINISH	PART NUMBER

THIS DRAWING IS A CONTROLLED DOCUMENT.

DIMENSIONS: INCHES	TOLERANCES UNLESS OTHERWISE SPECIFIED:	DIN	04-05-05		Tyco Electronics Corporation
0 PLC ± -	1 PLC ± -	CHK	04-05-05		Harrisburg, PA 17105-3608
2 PLC ± -	3 PLC ± .005	APVD	04-05-05	NAME	
4 PLC ± -	ANGLES ± °	A. FERNANDEZ-DUCKS S. BOLASH M. WALMSLEY		RCPT ASSY, SIZE 1, 9 POSN, RTANG, AMPLIMITE HD-20, WITH METAL SHELL, WITH OR WITHOUT SCREWLOCKS OR INSERTS	
MATERIAL	FINISH	SIZE	CAGE CODE	DRAWING NO	RESTRICTED TO
2	3	A1	00779	5745781	
CUSTOMER DRAWING		SCALE	4:1	SHEET	1 OF 1